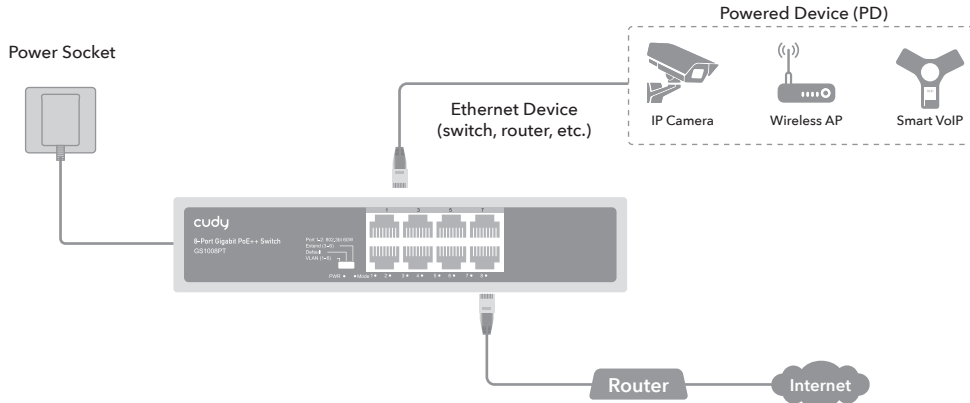
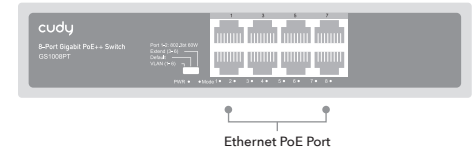


## 1 Hardware Connection



## 2 Physical Appearance

### Front board



- 8 10/100/1000Mbps PoE Ports
- 120 Watts total PoE budget
- 60 Watts maximum for port #1~#2 (802.3bt/at/af)
- 30 Watts maximum for port #3~#8 (802.3at/af)
- VLAN mode support for port #1~#6
- Extend mode support for port #3~#6

## 3 Specifications

Model	GS1008PT
Power	Input: AC 100-240V, 50/60Hz
Ethernet	8 *10/100/1000M PoE Port
Switching Capacity	16Gbps
Throughput	11.9Mpps
Packet Buffer	1.5Mb
MAC Address	2K
Jumbo Frame	9216bytes
Transfer Mode	Store and forward
MTBF	100000 hour
Working Temperature	0~40°C
Storage Temperature	-40~85°C

Network protocol	IEEE802.3 (10Base-T) / IEEE802.3u (100Base-TX) IEEE802.3ab(1000Base-TX) / IEEE802.3x (Flow control)
PoE Protocol	IEEE802.3af (15.4W) IEEE802.3at (30W) IEEE802.3bt (60W)
Industry Standard	EMI: FCC Part 15 CISPR (EN55032) class A EMS: EN61000-4-2 (ESD), EN61000-4-4 (EFT), EN61000-4-5 (Surge) Shock: IEC 60068-2-27 / Free Fall: IEC 60068-2-32 Vibration: IEC 60068-2-6
Network Medium	10Base-T : Cat3、4、5 or above UTP(≤100m) 100Base-TX : Cat5 or above UTP(≤100m) 1000Base-TX : Cat5 or above UTP(≤100m)

## 4 DIP Explanation

VLAN (1-6 Ports)	Port Isolation	Downlink designated ports are isolated from each other, only transmit data with the uplink port.
Default	Standard Switch	All ports communicate freely
Extend (3-6 Ports)	Link Extension	The specified port speed drops to 10Mbps/s, max PoE transmission is 250 meters.

## Quick Installation Guide

Model: GS1008PT

## 5 LED and Interface Explanation

PWR	Power LED	ON	Power on
		OFF	Power off
Mode	Mode LED	ON	Port Isolation
		OFF	Standard switching
		Flashing	Link extension
Link ACT	Link LED	ON	Link connected
		OFF	Link disconnected
		Flashing	Link data transmitted

### EU declaration of conformity

Cudy hereby declares that the device is in compliance with the essential requirements and other relevant provisions of directives 2014/30/EU, 2014/35/EU, 2009/125/EC and 2011/65/EU. The original EU declaration of conformity may be found at <http://www.cudy.com/>

Email: [support@cudy.com](mailto:support@cudy.com)