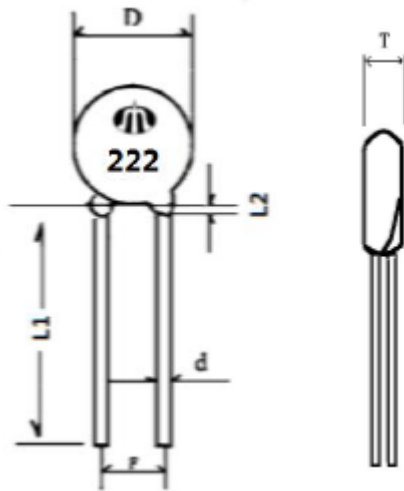


1. Electrical Characteristic

	Item	Symbol	Test conditions	Unit	Specification
1.1	Zero Power Resistance at 25°C	R25	Ta=25±0.1°C Test Power≤0.1mW	Ω	2.2KΩ±5%
1.2	B-value	B25/50	$B = [(Ta \times Tb) / (Tb - Ta)] \times \ln(Ra/Rb)$ Ta=25°C±0.01°C Tb=50°C±0.01°C	K	3950±10%
1.3	Thermal dissipation Coefficient	δ	In still air	mW/°C	about 4.5
1.4	Thermal time constant	τ	In still air	sec	about 20
1.5	Insulation resistance	/	1000V/DC 1min	MΩ	≥500
1.6	Operating temperature	/	/	°C	-30°C ~ 125°C
1.7	Maximum rated power	Pmax	/	mW	450

2. Dimensions(mm)



D _{MAX}	L1	L2±2	F±0.5	T	d±0.05
6.5	MAX 25	MIN 2.5	2.5	MAX 4.0	0.45

R25 = 2.2kΩ

B25/50 = 3950K

T°C	R kΩ	T°C	R kΩ	T°C	R kΩ	T°C	R kΩ	T°C	R kΩ	T°C	R kΩ
-30	40.128	-4	8.871	22	2.511	48	0.857	74	0.341	100	0.154
-29	37.694	-3	8.415	23	2.402	49	0.824	75	0.33	101	0.154
-28	35.418	-2	7.986	24	2.298	50	0.794	76	0.319	102	0.15
-27	33.289	-1	7.581	25	2.2	51	0.764	77	0.309	103	0.146
-26	31.298	0	7.238	26	2.105	52	0.736	78	0.3	104	0.142
-25	29.436	1	6.839	27	2.016	53	0.709	79	0.29	105	0.139
-24	27.693	2	6.499	28	1.931	54	0.683	80	0.281	106	0.135
-23	26.064	3	6.179	29	1.85	55	0.659	81	0.273	107	0.132
-22	24.539	4	5.876	30	1.773	56	0.635	82	0.265	108	0.129
-21	23.112	5	5.59	31	1.699	57	0.612	83	0.257	109	0.125
-20	21.776	6	5.32	32	1.629	58	0.59	84	0.249	110	0.122
-19	20.526	7	5.064	33	1.562	59	0.57	85	0.242	111	0.12
-18	19.355	8	4.823	34	1.498	60	0.55	86	0.234	112	0.117
-17	18.258	9	4.594	35	1.437	61	0.53	87	0.228	113	0.114
-16	17.231	10	4.378	36	1.379	62	0.512	88	0.221	114	0.111
-15	16.267	11	4.173	37	1.324	63	0.494	89	0.215	115	0.109
-14	15.364	12	3.979	38	1.271	64	0.477	90	0.208	116	0.106
-13	14.517	13	3.795	39	1.221	65	0.461	91	0.202	117	0.104
-12	13.722	14	3.62	40	1.172	66	0.445	92	0.197	118	0.102
-11	12.976	15	3.455	41	1.126	67	0.43	93	0.191	119	0.099
-10	12.275	16	3.298	42	1.082	68	0.416	94	0.186	120	0.097
-9	11.617	17	3.15	43	1.04	69	0.402	95	0.181	121	0.095
-8	10.999	18	3.008	44	1	70	0.389	96	0.176	122	0.093
-7	10.417	19	2.874	45	0.962	71	0.376	97	0.171	123	0.091
-6	9.87	20	2.747	46	0.925	72	0.364	98	0.167	124	0.089
-5	9.356	21	2.626	47	0.89	73	0.352	99	0.162	125	0.088

