



MASTERCcolour CDM MW Eco



MASTERCcolour MW eco MASTERCcolour CDM-T MW eco 230W/842 E40

Ceramic metal halide lamps with clear tubular or coated ellipsoid outer bulb, tailor-made to replace and outperform quartz metal halide lamps on existing gear.

Warnings and Safety

- For use with control gear designed for high pressure mercury or high-pressure sodium lamps with external ignitor
- A lamp breaking is extremely unlikely to have an impact on your health. If a lamp breaks, ventilate the room for 30 minutes and remove the parts, preferably with gloves. Put them in a sealed plastic bag and take it to your local waste facilities for recycling. Do not use a vacuum cleaner.
- Warm restart time can be up to 15 minutes; T15 ignitors therefore advised.

Product data

General information			
Cap-Base	E40 [E40]	LSF 20000 h Rated	80 %
Operating Position	UNIVERSAL [Any or Universal (U)]	LSF 24000 h Rated	70 %
Life to 5% Failures (Nom)	12000 h	LSF 28000 h Rated	56 %
Life To 10% Failures (Nom)	16000 h	LSF 30000 h Rated	50 %
Life to 20% Failures (Nom)	20000 h	Flux measurement reference	Sphere
Life to 50% Failures (Nom)	30000 h		
System Description	Universal	Light technical	
LSF 2000 h Rated	99 %	Colour Code	842 [CCT of 4200K]
LSF 4000 h Rated	99 %	Luminous Flux (Nom)	21400 lm
LSF 6000 h Rated	99 %	Luminous Flux (Rated) (Nom)	21400 lm
LSF 8000 h Rated	98 %	Colour Designation	Cool White (CW)
LSF 12000 h Rated	95 %	Chromaticity Coordinate X (Nom)	0.371
LSF 16000 h Rated	90 %	Chromaticity Coordinate Y (Nom)	0.366
		Colour Temperature, horizontal (Nom)	4200 K

MASTERColour CDM MW Eco

Luminous Efficacy (rated) (Nom)	94 lm/W
Colour Rendering Index horiz (Nom)	88
Depreciation 2000 hrs	92 %
LLMF 4000 h Rated	87 %
Depreciation 5000 hrs	84 %
LLMF 8000 h Rated	82 %
LLMF 12000 h Rated	80 %
LLMF 16000 h Rated	77 %
LLMF 20000 h Rated	75 %
Ratio Scotopic/Photopic Lumens	1.87

Operating and electrical

Power (Rated) (Nom)	227.0 W
Lamp Current Run-Up (Max)	2.2 A
Lamp Current (EM) (Nom)	0.212 A
Ignition Supply Voltage (Max)	198 V
Ignition Peak Voltage (Max)	5000 V
Ignition Peak Voltage (Min)	750 V
Re-Ignition Time (Min) (Max)	900 s
Ignition Time (Max)	30 s
Voltage (Max)	132 V
Voltage (Min)	118 V
Voltage (Nom)	127 V

Controls and dimming

Dimmable	No
Run-up Time 90% (Max)	3 min

Mechanical and housing

Bulb Finish	Clear
-------------	-------

Bulb Material	Hard Glass
Bulb Shape	T46 [T 46mm]

Approval and application

Energy Efficiency Class	F
Mercury (Hg) Content (Max)	32 mg
Mercury (Hg) Content (Nom)	32.0 mg
Energy Consumption kWh/1000 h	227 kWh
EPREL Registration Number	473314

UV

Pet (Niosh) (Nom)	8 h/500lx
-------------------	-----------

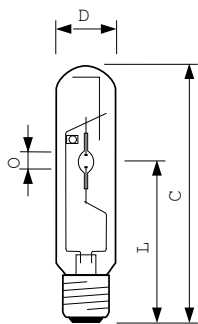
Luminaire design requirements

Bulb Temperature (Max)	550 °C
Cap-Base Temperature (Max)	250 °C
Cap-Base Temperature (Max)-DUP	482 °F

Product data

Full product code	871869659681400
Order product name	MASTERColour MW eco MASTERColour CDM-T MW eco 230W/842 E40
EAN/UPC - Product	8718696596814
Order code	59681400
Numerator - Quantity Per Pack	1
Numerator - Packs per outer box	12
Material Nr. (12NC)	928070119230
Net Weight (Piece)	166.000 g

Dimensional drawing

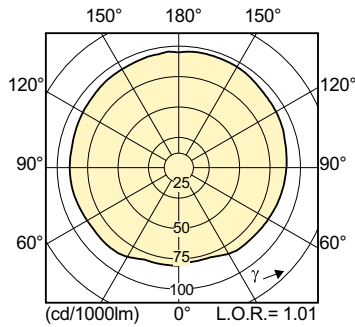


MASTERColour MW eco MASTERColour CDM-T MW eco 230W/842 E40

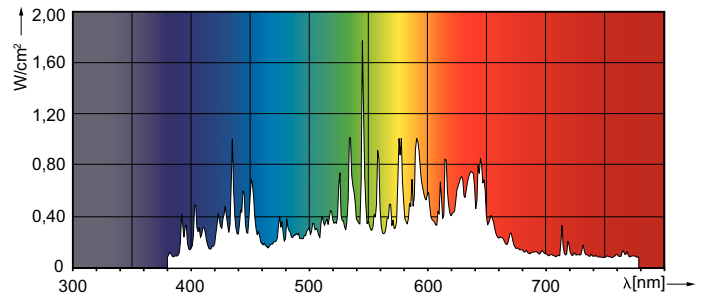
Product	D (max)	O	L	C (max)
MASTERColour MW eco MASTERColour CDM-T MW eco 230W/842 E40	47 mm	12.4 mm	157 mm	257 mm

MASTERColour CDM MW Eco

Photometric data

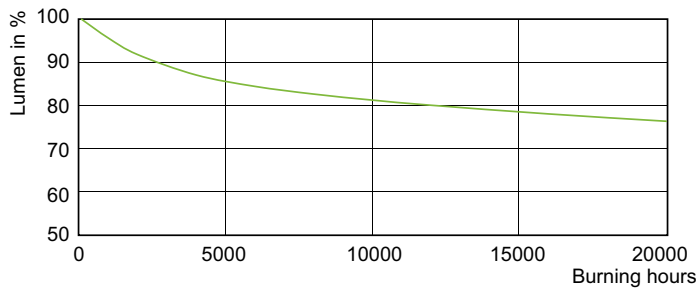


MASTERColour CDM-T MW eco 230W/842 E40

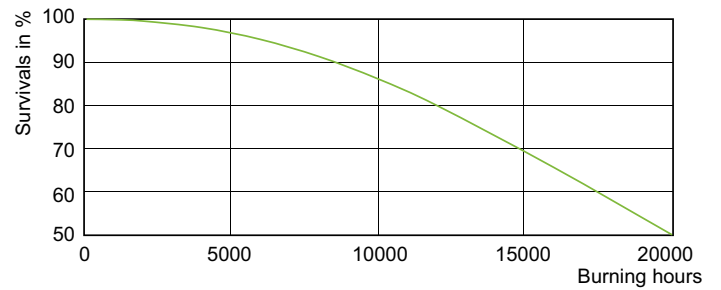


MASTERColour CDM MW eco /842

Lifetime



MASTERColour CDM MW eco /842



MASTERColour CDM MW eco /842

