

Product Datasheet



Products Family : Led Lighting Fixture
Products Name : Led Pendant Light Blade

Datasheet is valid for following Model numbers

Product Code	CCT	Body Color
BH16-06280	3IN1	White
BH16-06281	3IN1	Black
BH16-06287	3IN1	Wooden

Manufacturer:
Demgrup international lighting limited
unit d 16/f,one capital place,18 luard road
wan chai, Hong Kong
www.demgrup.com.tr

Importer / Company:
Braytron S.R.L
Bulevardul iuliu maniu,nr.616, corp B
etaj 1 sector 6,061129 bucuresti, Romania
info@braytron.com www.braytron.com

Test condition:light for 30 mins under nominal voltage input and 25°C±1°working environment

General Characteristics

- Family : Led Lighting Fixture
- Sub Family : Led Pendant Light Blade
- Mounting Type : Pendant Mounting
- Lamp Shape : Non-Directional
- Dimmable : Not-Dimmable
- Light Source : LED
- Warranty : 3 years
- Class : Class I
- IP : IP20

Lamp Characteristics

- Wattage : 45 w
- Color Temperatue : 3IN1
- Luminous Flux(whole Product) : 4650 lm
- Luminous Flux(LED System) : 4650 lm
- Color Rendering Index(CRI) : > 80
- Energy Efficiency Level : F
- Beam Angle : 120 Degree(s)
- Chromaticity(SDCM) : < 6

Electrical Characteristics

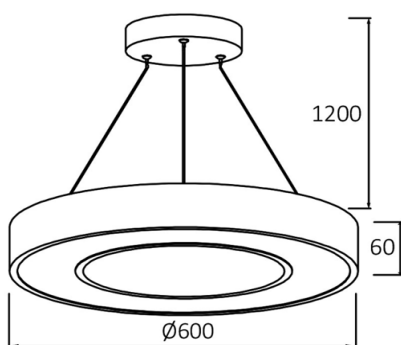
- Lifetime (L70B50) : 20000 h
- Input Voltage : 220-240V
- Frequency : 50-60 Hz
- Power Factor : > 0.9
- Starting Time : < 0.5 s
- Lumen Maintenance Factor : > 0.899
- Number of Switch Cycles : > 15000
- Material : Metal
- Working Temperature : -20°C~+45°C
- Storage Temperature : -20°C~+60°C
- Environment humidity(working) : 10%~65%

Test condition:light for 30 mins under nominal voltage input and 25°C±1°working environment

Lamp Dimensions & Weight

• Diameter(mm)	:	600
• Length(mm)	:	
• Width(mm)	:	
• Height(mm)	:	1260
• Cutout(mm)	:	
• Weight(kg)	:	2,22

Technical Drawing(s)



Reliability requirements and Test Conditions

- **Lumen maintenance**

Lumen maintenance is not lower than 89.9% after lighting for 2.5h on and 0.5h off for one cycle.
Total 1200 cycle and 3600h including 3000h on and 600h off.

- **Working life (L70B50)**

Under nominal voltage input, working life is forced not lower than 20000 h at 25°C±1°C

- **Remarks:**

Declared values above may vary ±5

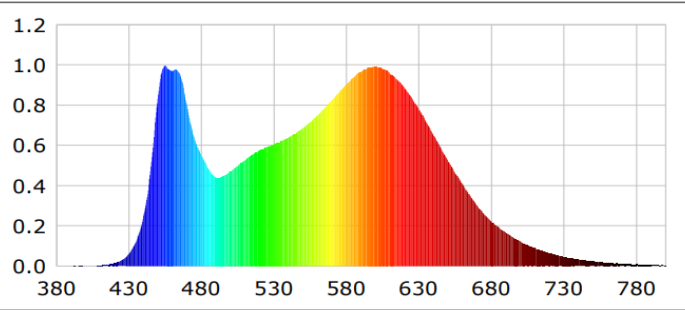
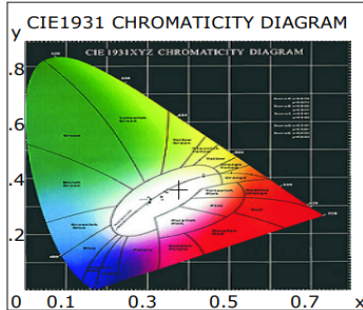


Test condition: light for 30 mins under nominal voltage input and 25°C±1° working environment

Optical and electrical test parameter:

CIE Colorimetric Parameters

Chromaticity coordinates: $x=0.3782$ $y=0.3621$ $u(u')=0.2296$ $v=0.3297$ $v'=0.4946$
 CCT: $T_c=3950K$ ($duv=-0.00636$) Color Ratio: $R=0.199$ $G=0.751$ $B=0.051$
 Peak Wavelength: 454.9nm Half Bandwidth: 38.5nm
 Dominant Wavelength: 583.6nm Color Purity: 0.222
 CRI: $R_a=86.4$ TM30: $R_f=82$, $R_g=93$
 R1 =90 R2 =98 R3 =90 R4 =83 R5 =89 R6 =92 R7 =81 R8 =68
 R9 =31 R10=98 R11=83 R12=72 R13=94 R14=96 R15=85
 Color Quality Scale: $Q_a=85.2$, $Q_f=85.4$, $Q_p=85.0$, $Q_g=93.0$
 Q1 =81 Q2 =95 Q3 =88 Q4 =80 Q5 =81 Q6 =83 Q7 =88 Q8 =90
 Q9 =97 Q10=96 Q11=90 Q12=86 Q13=85 Q14=79 Q15=80



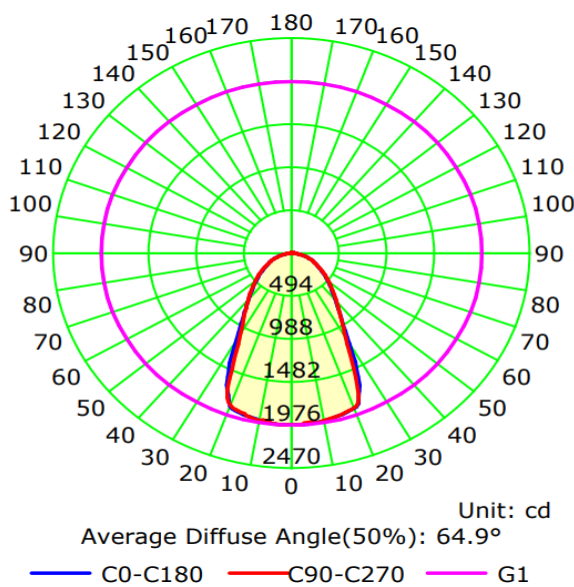
Photometric Parameters

Luminous Flux: 4638.67 lm Efficiency: 104.00 lm/W Radiant Power: 10.001 W
 EEI: 0.19 Energy Efficiency Class: A (EU 874-2012)

Electric Parameters

Voltage: 227.70V Current: 0.1950A Power: 44.6W
 Power Factor: 0.9750 Frequency: 50.00Hz

Darkroom Test report



Height	Avg./Nadir, E	Beam Angle: 65.5°	Diameter / Area
1.0m	1226.48/ 1976.07lx		1.29m / 1.30sq.m
2.0m	306.62/ 494.02lx		2.57m / 5.20sq.m
3.0m	136.28/ 219.56lx		3.86m / 11.70sq.m
4.0m	76.66/ 123.50lx		5.15m / 20.80sq.m
5.0m	49.06/ 79.04lx		6.43m / 32.50sq.m
6.0m	34.07/ 54.89lx		7.72m / 46.81sq.m
8.0m	19.16/ 30.88lx		10.29m / 83.21sq.m
9.0m	15.14/ 24.40lx		11.58m / 105.32sq.m
10.0m	12.26/ 19.76lx		12.87m / 130.02sq.m
12.0m	8.52/ 13.72lx		15.44m / 187.23sq.m

Flux Out: 1594.66lm