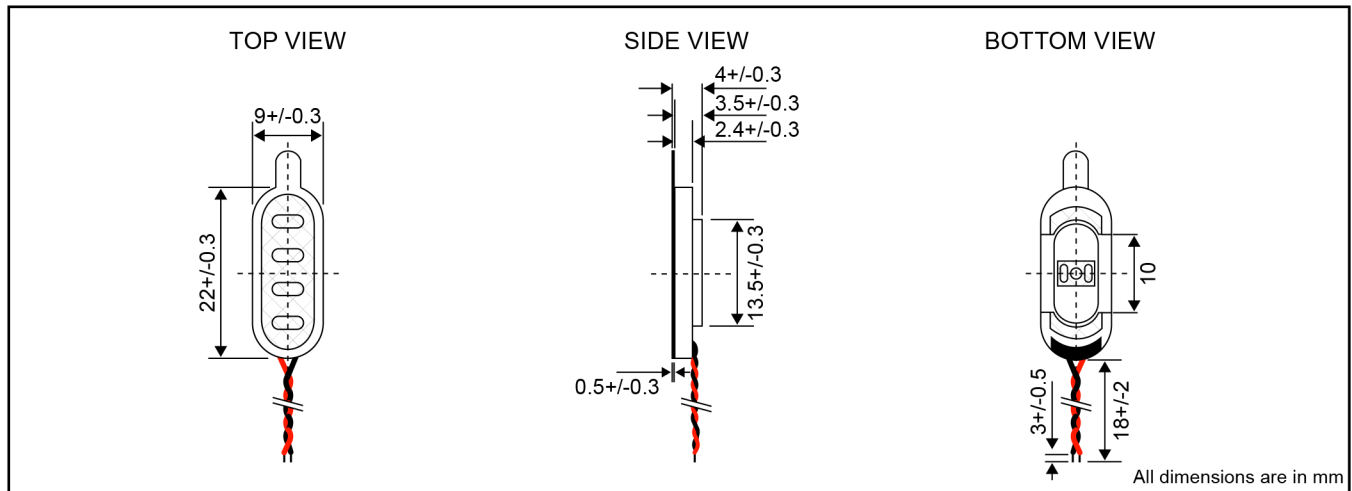


Mylar Speaker MST2209 Series

DIMENSIONS



Date : 01 Dec.,2016



Ref. no. : RB205-1R

Remark : Wire UL1571 AWG#32



ELECTRICAL SPECIFICATIONS

Model No.	LD-SP-2209
Length	22 +/- 0.3 mm
Wide	9 +/- 0.3 mm
Height	4 +/- 0.3 mm
Output S.P.L.	88 +/- 3 dB [At 0.5W/0.1M, Ave. 1.0K, 1.2K, 1.5K, 2.0K Hz]
Impedance	8 ohm +/- 15% [At 1K Hz, 1V]
Resonant Freq. [Fo]	1400 Hz +/- 20 %
Freq. Response	Fo ~ 8000 Hz
Rated Input Power	0.5 W
Max. Input Power	1.0 W
Buzzer & Rattles	Must Be Normal [Sine Wave 2.0 V sine wave 50 ~ 5KHz]
Load Test	Must Be Normal [White Noise 0.5 W, 96 Hours]
Heat Test	Must Be Normal [55 +/- 2 °C, 96 Hours]
Cold Test	Must Be Normal [-25 +/- 2 °C, 96 Hours]
Humidity Test	40 +/- 2 °C, 90 ~ 95% R.H. 96 Hours
Case Material	Plastic
Magnet	Internal Magnet-NdFeB
Operating Temperature	-20 ~ +50 °C
Storage Temperature	-25 ~ +55 °C
Weight	1.4 g