

Shelly PRO 3



USE SHELLY PRO 3 FOR:

You can use Shelly pro 3 to set different types of actions, scenes, and schedules and sync your environment to your daily activities or business needs. Additionally, Shelly Pro 3 has scripting functionalities for custom automation scenes based on external data or various occurrences.

COMMON AREA TEMPERATURE CONTROL



COMMON SPACES LIGHTS AUTOMATION



LAN, Wi-Fi and Bluetooth:

Simultaneous Wi-Fi and LAN usage, add device fast and easy via Bluetooth connection



3 channel:

Up to 16 A per channel with up to 48 A total device maximum.



Dry Contacts:

Use a wide range of output voltage levels. Supports low voltages.



Wide range of voltage support:

Use it to control a wide range of AC devices and appliances.



Extremely fast processor

For immediate command execution and notification.



Wide variety of appliances control

Suitable for automating the lights, irrigation system, heaters, and many more.



Enhanced safety

Flame retardant shell (V-0) with internal overtemperature, over-power and overvoltage protection.



Enhanced security

MQTT and WSS support, TLS and custom certificates support for a broad range of use cases.



No hub required

Control directly and without a hub through your smartphone with Shelly Cloud App.



Highly compatible

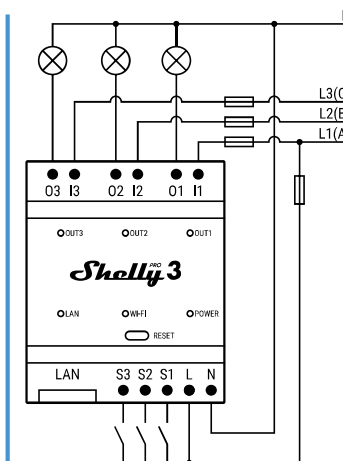
Use with your preferred home automation platforms and voice assistants

PROFESSIONAL 3-CHANNEL DIN RAIL RELAY WITH DRY CONTACTS

Shelly Pro 3 is a three-phase, 3-channel relay supporting up to 48 A for professional lights and appliance automation for residential or commercial use. It is equipped with potential-free outputs (dry contacts) offering high flexibility in voltage support and applications.

TECHNICAL SPECIFICATIONS

Power supply	110-240 VAC, 50/60 Hz
Max load per channel	16 A
Total max. current of all outputs	48 A
Complies with EU standards:	<ul style="list-style-type: none"> RE Directive 2014/53/EU LVD 2014/35/EU EMC 2014/30/EU RoHS2 2011/65/EU
Working temperature	-20°C to 40°C
Max RF output power	15.93 dBm
Wireless/WiFi Protocol	802.11 b/g/n (2.4 GHz)
Frequency:	2412 - 2472 MHz
Operational range (depending on local conditions)	<ul style="list-style-type: none"> up to 50 m outdoors up to 30 m indoors
Dimensions (HxWxD)	96x53x59 mm
Electrical consumption	< 3 W



Legend

Device terminals:

O1, O2, O3: Load output terminals

I1, I2, I3: Load input terminals

SW1, SW2, SW3: Switch input terminals controlling O1, O2 and O3

L: Live (110-240 VAC) terminals

N: Neutral terminal

LAN: Local Area Network RJ 45 connector

Cables:

N: Neutral cable

L1(A): Load circuit 1 live (110-240 VAC) cable

L2(B): Load circuit 2 live (110-240 VAC) cable

L3(C): Load circuit 3 live (110-240 VAC) cable

