

Tubular terminals, KDM type

FEATURES & BENEFITS

- ring terminal Cu, as per DIN, without galvanic tin plating
- description of cable cross-section, terminal size and crimping die number on crimped part surface
- for demanding applications
- very wide range

MECHANICAL DATA

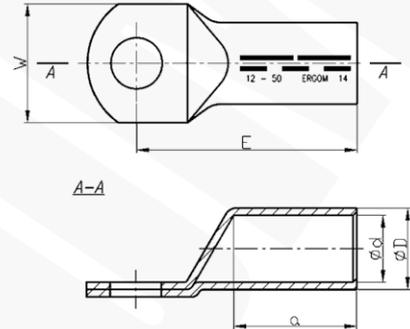
Material	Cu
Surface	uncoated

CERTIFICATES & STANDARDS

Design	DIN 46235
--------	-----------

NOTE!

Sector-shaped conductors (sm) must be rounded with special dies.



Type	Index Ergom	Cross-section, rm/sm [mm ²]	d	D	a	E	W	Screw hole	DIN	Socket code no.	Lz/s	Lz/w	Quantity in package [pcs]	Weight [kg]	
KDM 10/5 (100 PCS)	E11KM-02010100100	10	4,5	6,0	12	27	9	M5	√	6	-	1	100	0,4	
KDM 10/6 (100 PCS)	E11KM-02010100200							M6						0,45	
KDM 10/8 (100 PCS)	E11KM-02010100300							M8	-					0,4	
KDM 10/10 (100 PCS)	E11KM-02010100350							M10							
KDM 16/6 (100 PCS)	E11KM-02010100400	16	5,5	8,5	20	36	13	M6		8	1	2	100	1,3	
KDM 16/8 (100 PCS)	E11KM-02010100500							M8	√					1,4	
KDM 16/10 (100 PCS)	E11KM-02010100600							M10							
KDM 16/12 (100 PCS)	E11KM-02010100700							M12	-						
KDM 25/6 (100 PCS)	E11KM-02010100800	25	7,0	10,0	20	38	14	M6		10	1	2	100	1,65	
KDM 25/8 (100 PCS)	E11KM-02010100900							M8	√						
KDM 25/10 (100 PCS)	E11KM-02010101000							M10							
KDM 25/12 (100 PCS)	E11KM-02010101100							M12							
KDM 25/14 (100 PCS)	E11KM-02010101200							M14	-						1,9
KDM 25/16 (100 PCS)	E11KM-02010101300							M16							1,8
KDM 35/6 (100 PCS)	E11KM-02010101400	35	8,2	12,5	20	42	17	M6	-	12	1	2	100	3	
KDM 35/8 (100 PCS)	E11KM-02010101500							M8							
KDM 35/10 (100 PCS)	E11KM-02010101600							M10	√					3,1	
KDM 35/12 (100 PCS)	E11KM-02010101700							M12							
KDM 35/14 (100 PCS)	E11KM-02010101800							M14	-					3,3	
KDM 35/16 (100 PCS)	E11KM-02010101900							M16						4,38	
KDM 50/8 (100 PCS)	E11KM-02010102000	50	10,0	14,5	28	52	20	M8		14	2	3	100	4,7	
KDM 50/10 (100 PCS)	E11KM-02010102100							M10	√					4,75	
KDM 50/12 (100 PCS)	E11KM-02010102200							M12						4,7	
KDM 50/14 (100 PCS)	E11KM-02010102300							M14	-					4,7	
KDM 50/16 (100 PCS)	E11KM-02010102400							M16	√					4,6	

Type	Index Ergom	Cross-section, mm ² [mm ²]	d	D	a	E	W	Screw hole	DIN	Socket code no.	Lz/s	Lz/w	Quantity in package [pcs]	Weight [kg]										
KDM 70/8 (100 PCS)	E11KM-02010102500	70	11,5	16,5	28	55		M8		16	2	3	100	6										
KDM 70/10 (100 PCS)	E11KM-02010102600							M10	√					6,3										
KDM 70/12 (100 PCS)	E11KM-02010102700							M12						6,4										
KDM 70/14 (100 PCS)	E11KM-02010102800							M14	-					6,55										
KDM 70/16 (100 PCS)	E11KM-02010102900							M16	√					6,2										
KDM 70/20 (100 PCS)	E11KM-02010103000							M20	-					6,65										
KDM 95/8 (50 PCS)	E11KM-02010103100							95	13,5					19,0	35	65		M8	-	19	2	4	50	4,6
KDM 95/10 (50 PCS)	E11KM-02010103200	M10	√	4,8																				
KDM 95/12 (50 PCS)	E11KM-02010103300	M12	-	4,7																				
KDM 95/14 (50 PCS)	E11KM-02010103400	M14	-	4,8																				
KDM 95/16 (50 PCS)	E11KM-02010103500	M16	√	4,75																				
KDM 95/20 (50 PCS)	E11KM-02010103600	M20	-	4,75																				
KDM 120/10 (50 PCS)	E11KM-02010103700	120	15,5	21,0	35	70				M10	√	20	2					4	50					5,7
KDM 120/12 (50 PCS)	E11KM-02010103800							M12	-	5,65														
KDM 120/14 (50 PCS)	E11KM-02010103900							M14	-	5,75														
KDM 120/16 (50 PCS)	E11KM-02010104000							M16	√	5,6														
KDM 120/20 (50 PCS)	E11KM-02010104100							M20	-	5,8														
KDM 150/10 (50 PCS)	E11KM-02010104200							150	17,0	23,5	40			78		M10	√			22	2	4	50	8,3
KDM 150/12 (50 PCS)	E11KM-02010104300															M12	-							8,1
KDM 150/14 (50 PCS)	E11KM-02010104400	M14	-	8,2																				
KDM 150/16 (50 PCS)	E11KM-02010104500	M16	√	8																				
KDM 150/20 (50 PCS)	E11KM-02010104600	M20	-	8,2																				
KDM 185/10 (50 PCS)	E11KM-02010104700	185	19,0	25,5	42	82						M10	√			25	2	5	50					9,3
KDM 185/12 (50 PCS)	E11KM-02010104800											M12	-											9,4
KDM 185/14 (50 PCS)	E11KM-02010104900							M14	-	9,25														
KDM 185/16 (50 PCS)	E11KM-02010105000							M16	√	9,3														
KDM 185/20 (50 PCS)	E11KM-02010105100							M20	-	9,3														
KDM 240/10 (50 PCS)	E11KM-02010105150							240	21,5	29,0	42	92		M10	-					28	2	5	50	13,9
KDM 240/12 (50 PCS)	E11KM-02010105200													M12	√									13,7
KDM 240/14 (50 PCS)	E11KM-02010105300	M14	-	13,5																				
KDM 240/16 (50 PCS)	E11KM-02010105400	M16	√	13,6																				
KDM 240/20 (50 PCS)	E11KM-02010105500	M20	-	13,8																				
KDM 300/10 (10 PCS)	E11KM-02010105552	300	24,5	32,0	52	100	48							M10	-	32	2	-	10					3,34
KDM 300/12 (10 PCS)	E11KM-02010105602													M12	-									3,32
KDM 300/14 (10 PCS)	E11KM-02010105702							M14	-	3,4														
KDM 300/16 (10 PCS)	E11KM-02010105802							M16	√	3,42														
KDM 300/20 (10 PCS)	E11KM-02010105902							M20	-	3,4														
KDM 400/12	E11KM-02010105952							400	27,5	38,5	70	115	55	M12	-					38	3	-	1	0,68
KDM 400/14	E11KM-02010106002													M14	-									0,66
KDM 400/16	E11KM-02010106102	M16	√	0,64																				
KDM 400/20	E11KM-02010106202	M20	-	0,64																				
KDM 500/12	E11KM-02010106252	500	31,0	42,0	70	125	60	M12	-	42	3	-	1	0,82										
KDM 500/14	E11KM-02010106302							M14	-					0,8										
KDM 500/16	E11KM-02010106402							M16	-					0,78										
KDM 500/20	E11KM-02010106502							M20	√					0,76										
KDM 625/12	E11KM-02010106552	625	34,5	44,0	81	135	63	M12	-	44	3	-	1	0,94										
KDM 625/14	E11KM-02010106602							M14	-					0,92										
KDM 625/16	E11KM-02010106702							M16	-					0,9										
KDM 625/20	E11KM-02010106802							M20	√					0,88										

Lz/s - Number of crimping - wide, Lz/w - Number of crimping - narrow