

# Tubular terminals, KDR type

## FEATURES & BENEFITS

- ring terminal Cu, as per DIN, with galvanic tin plating
- description of cable cross-section, terminal size and crimping die number on crimped part surface
- for voltage below 1 kV acc. to EN IEC 61238-1-1:2019  
for the voltage range 1-36 kV acc. to EN IEC 61238-1-3:2019
- very wide range

## MECHANICAL DATA

<b>Material</b>	Cu
<b>Surface</b>	tin-plated

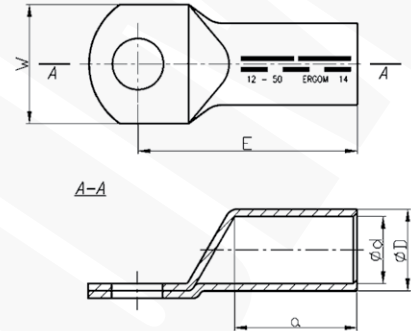
## CERTIFICATES & STANDARDS

<b>Standards</b>	EN IEC 61238-1-1:2019 EN IEC 61238-1-3:2019 - mechanical strength Class 1 - Short-circuit resistance Class A for range of rated cross-section 25 - 240 mm <sup>2</sup>
<b>UL certificate</b>	E475284
<b>Design</b>	DIN 46235

## NOTE!

Sector-shaped conductors (sm) must be rounded with special dies.

UL certificate - visit [www.ergom.com](http://www.ergom.com)



Type	Index Ergom	Cross-section, mm <sup>2</sup>	d	D	a	E	W	Screw hole	DIN	UL	Socket code no.	Lz/s	Lz/w	Quantity in package [pcs]	Weight [kg]								
<b>KDR 6/5 (100 PCS)</b>	E11KM-02020100040	6	3,8	5,5	10	24	8,5	M5	√	-	5	-	1	100	0,28								
<b>KDR 6/6 (100 PCS)</b>	E11KM-02020100060							M6	-														
<b>KDR 6/8 (100 PCS)</b>	E11KM-02020100080							M8	-														
<b>KDR 10/5 (100 PCS)</b>	E11KM-02020100100	10	4,5	6,0	12	27	9	M5	√	6	-	1	100	0,4									
<b>KDR 10/5 (10 PCS)</b>	E11KM-02020100102							M6					√	10	0,04								
<b>KDR 10/6 (100 PCS)</b>	E11KM-02020100200							M6	√				100	0,45									
<b>KDR 10/6 (10 PCS)</b>	E11KM-02020100202							M6	√				10	0,05									
<b>KDR 10/8 (100 PCS)</b>	E11KM-02020100300							M8	-				100	0,4									
<b>KDR 10/8 (10 PCS)</b>	E11KM-02020100302							M8	-				10	0,04									
<b>KDR 10/10 (100 PCS)</b>	E11KM-02020100350							M10	-				100	0,4									
<b>KDR 10/10 (10 PCS)</b>	E11KM-02020100352							M10	-				10	0,04									
<b>KDR 16/6 (100 PCS)</b>	E11KM-02020100400							16	5,5				8,5	20	36	13	M6	√	8	1	2	100	1,3
<b>KDR 16/6 (10 PCS)</b>	E11KM-02020100402																M6					√	10
<b>KDR 16/8 (100 PCS)</b>	E11KM-02020100500	M8	√	100	1,4																		
<b>KDR 16/8 (10 PCS)</b>	E11KM-02020100502	M8	√	10	0,14																		
<b>KDR 16/10 (100 PCS)</b>	E11KM-02020100600	M10	-	100	1,4																		
<b>KDR 16/10 (10 PCS)</b>	E11KM-02020100602	M10	-	10	0,14																		
<b>KDR 16/12 (100 PCS)</b>	E11KM-02020100700	M12	-	100	1,4																		
<b>KDR 16/12 (10 PCS)</b>	E11KM-02020100702	M12	-	10	0,14																		

Type	Index Ergom	Cross-section, mm <sup>2</sup>	d	D	a	E	W	Screw hole	DIN	UL	Socket code no.	Lz/s	Lz/w	Quantity in package [pcs]	Weight [kg]									
KDR 25/6 (100 PCS)	E11KM-02020100800	25	7,0	10,0	20	38	14	M6			10	1	2	100	1,65									
KDR 25/6 (10 PCS)	E11KM-02020100802							10	0,17															
KDR 25/8 (100 PCS)	E11KM-02020100900							100	1,65															
KDR 25/8 (10 PCS)	E11KM-02020100902							10	0,17															
KDR 25/10 (100 PCS)	E11KM-02020101000							100	1,65															
KDR 25/10 (10 PCS)	E11KM-02020101002							10	0,17															
KDR 25/12 (100 PCS)	E11KM-02020101100							100	1,65															
KDR 25/12 (10 PCS)	E11KM-02020101102							10	0,17															
KDR 25/14 (100 PCS)	E11KM-02020101200							100	1,9															
KDR 25/14 (10 PCS)	E11KM-02020101202							10	0,19															
KDR 25/16 (100 PCS)	E11KM-02020101300							100	1,8															
KDR 25/16 (10 PCS)	E11KM-02020101302							10	0,18															
KDR 35/6 (100 PCS)	E11KM-02020101400							35	8,2	12,5				20	42	17	M6			12	1	2	100	3
KDR 35/6 (10 PCS)	E11KM-02020101402																10	0,3						
KDR 35/8 (100 PCS)	E11KM-02020101500	100	3,1																					
KDR 35/8 (10 PCS)	E11KM-02020101502	10	0,31																					
KDR 35/10 (100 PCS)	E11KM-02020101600	100	3,1																					
KDR 35/10 (10 PCS)	E11KM-02020101602	10	0,31																					
KDR 35/12 (100 PCS)	E11KM-02020101700	100	3,1																					
KDR 35/12 (10 PCS)	E11KM-02020101702	10	0,31																					
KDR 35/14 (100 PCS)	E11KM-02020101800	100	3,1																					
KDR 35/14 (10 PCS)	E11KM-02020101802	10	0,31																					
KDR 35/16 (100 PCS)	E11KM-02020101900	100	3,3																					
KDR 35/16 (10 PCS)	E11KM-02020101902	10	0,33																					
KDR 50/8 (100 PCS)	E11KM-02020102000	50	10,0	14,5	28	52	20				M8						14	2	3				100	4,38
KDR 50/8 (10 PCS)	E11KM-02020102002										10	0,44												
KDR 50/10 (100 PCS)	E11KM-02020102100							100	4,7															
KDR 50/10 (10 PCS)	E11KM-02020102102							10	0,47															
KDR 50/12 (100 PCS)	E11KM-02020102200							100	4,75															
KDR 50/12 (10 PCS)	E11KM-02020102202							10	0,48															
KDR 50/14 (100 PCS)	E11KM-02020102300							100	4,7															
KDR 50/14 (10 PCS)	E11KM-02020102302							10	0,47															
KDR 50/16 (100 PCS)	E11KM-02020102400							100	4,6															
KDR 50/16 (10 PCS)	E11KM-02020102402							10	0,46															
KDR 70/8 (100 PCS)	E11KM-02020102500							70	11,5	16,5	28	55	24	M8						16	2	3	100	6
KDR 70/8 (10 PCS)	E11KM-02020102502													10	0,6									
KDR 70/10 (100 PCS)	E11KM-02020102600													100	6,3									
KDR 70/10 (10 PCS)	E11KM-02020102602													10	0,63									
KDR 70/12 (100 PCS)	E11KM-02020102700	100	6,4																					
KDR 70/12 (10 PCS)	E11KM-02020102702	10	0,64																					
KDR 70/14 (100 PCS)	E11KM-02020102800	100	6,55																					
KDR 70/14 (10 PCS)	E11KM-02020102802	10	0,66																					
KDR 70/16 (100 PCS)	E11KM-02020102900	100	6,2																					
KDR 70/16 (10 PCS)	E11KM-02020102902	10	0,62																					
KDR 70/20 (100 PCS)	E11KM-02020103000	100	6,65																					
KDR 70/20 (10 PCS)	E11KM-02020103002	10	0,67																					
KDR 95/8 (50 PCS)	E11KM-02020103100	95	13,5	19,0	35	65	28							M8			18	2	4				50	4,6
KDR 95/8 (10 PCS)	E11KM-02020103102													10	0,92									
KDR 95/10 (50 PCS)	E11KM-02020103200							50	4,8															
KDR 95/10 (10 PCS)	E11KM-02020103202							10	0,96															
KDR 95/12 (50 PCS)	E11KM-02020103300							50	4,7															
KDR 95/12 (10 PCS)	E11KM-02020103302							10	0,94															
KDR 95/14 (50 PCS)	E11KM-02020103400							50	4,8															
KDR 95/14 (10 PCS)	E11KM-02020103402							10	0,96															
KDR 95/16 (50 PCS)	E11KM-02020103500							50	4,75															
KDR 95/16 (10 PCS)	E11KM-02020103502							10	0,95															
KDR 95/20 (50 PCS)	E11KM-02020103600							50	4,75															
KDR 95/20 (10 PCS)	E11KM-02020103602							10	0,95															

Type	Index Ergom	Cross-section, rm/sm [mm <sup>2</sup> ]	d	D	a	E	W	Screw hole	DIN	UL	Socket code no.	Lz/s	Lz/w	Quantity in package [pcs]	Weight [kg]														
KDR 120/10 (50 PCS)	E11KM-02020103700	120	15,5	21,0	35	70	32	M10			20	2	4	50	5,7														
KDR 120/10 (10 PCS)	E11KM-02020103702							M10	✓					10	1,14														
KDR 120/12 (50 PCS)	E11KM-02020103800							M12						50	5,65														
KDR 120/12 (10 PCS)	E11KM-02020103802							M12						10	1,13														
KDR 120/14 (50 PCS)	E11KM-02020103900							M14	-	✓				50	5,75														
KDR 120/14 (10 PCS)	E11KM-02020103902							M14	-					10	1,15														
KDR 120/16 (50 PCS)	E11KM-02020104000						38								M16			50	5,6										
KDR 120/16 (10 PCS)	E11KM-02020104002														M16	✓		10	1,12										
KDR 120/20 (50 PCS)	E11KM-02020104100														M20			50	5,8										
KDR 120/20 (10 PCS)	E11KM-02020104102														M20	✓		10	1,16										
KDR 150/10 (50 PCS)	E11KM-02020104200														150	17,0	23,5	40	78	34	M10			22	2	4	50	8,3	
KDR 150/10 (10 PCS)	E11KM-02020104202																				M10	✓					10	1,66	
KDR 150/12 (50 PCS)	E11KM-02020104300	M12			50	8,1																							
KDR 150/12 (10 PCS)	E11KM-02020104302	M12			10	1,62																							
KDR 150/14 (50 PCS)	E11KM-02020104400	M14	-	✓	50	8,2																							
KDR 150/14 (10 PCS)	E11KM-02020104402	M14	-		10	1,64																							
KDR 150/16 (50 PCS)	E11KM-02020104500	40					M16			50	8																		
KDR 150/16 (10 PCS)	E11KM-02020104502						M16	✓		10	0,8																		
KDR 150/20 (50 PCS)	E11KM-02020104600						M20			50	8,2																		
KDR 150/20 (10 PCS)	E11KM-02020104602						M20	✓		10	1,64																		
KDR 185/10 (50 PCS)	E11KM-02020104700						185	19,0	25,5	42	82	37	M10								25	2	5				50	9,3	
KDR 185/10 (10 PCS)	E11KM-02020104702												M10	✓													10	1,86	
KDR 185/12 (50 PCS)	E11KM-02020104800	M12			50	9,3																							
KDR 185/12 (10 PCS)	E11KM-02020104802	M12			10	1,86																							
KDR 185/14 (50 PCS)	E11KM-02020104900	M14	-	✓	50	9,4																							
KDR 185/14 (10 PCS)	E11KM-02020104902	M14	-		10	1,88																							
KDR 185/16 (50 PCS)	E11KM-02020105000	40										M16			50	9,25													
KDR 185/16 (10 PCS)	E11KM-02020105002											M16	✓		10	1,85													
KDR 185/20 (50 PCS)	E11KM-02020105100											M20			50	9,3													
KDR 185/20 (10 PCS)	E11KM-02020105102											M20	✓		10	1,86													
KDR 240/10 (50 PCS)	E11KM-02020105200											240	21,5	29,0	42	92	42	M10	-					28	2	5	50	13,8	
KDR 240/10 (10 PCS)	E11KM-02020105202																	M10	-								10	2,76	
KDR 240/12 (50 PCS)	E11KM-02020105300	M12	✓		50	13,7																							
KDR 240/12 (10 PCS)	E11KM-02020105302	M12			10	2,74																							
KDR 240/14 (50 PCS)	E11KM-02020105400	M14	-	✓	50	13,5																							
KDR 240/14 (10 PCS)	E11KM-02020105402	M14	-		10	2,7																							
KDR 240/16 (50 PCS)	E11KM-02020105500	45					M16			50	13,6																		
KDR 240/16 (10 PCS)	E11KM-02020105502						M16	✓		10	2,72																		
KDR 240/20 (50 PCS)	E11KM-02020105600						M20			50	13,8																		
KDR 240/20 (10 PCS)	E11KM-02020105602						M20	✓		10	2,76																		
KDR 300/10 (25 PCS)	E11KM-02020105680						300	24,5	32,0	52	100						48	M10	-		32	2	-				25	8,2	
KDR 300/10 (10 PCS)	E11KM-02020105682																	M10	-								10	3,28	
KDR 300/12 (25 PCS)	E11KM-02020105700	M12	-		25	8,3																							
KDR 300/12 (10 PCS)	E11KM-02020105702	M12	-		10	3,32																							
KDR 300/14 (25 PCS)	E11KM-02020105800	M14	-	-	25	8,5																							
KDR 300/14 (10 PCS)	E11KM-02020105802	M14	-		10	3,4																							
KDR 300/16 (25 PCS)	E11KM-02020105900	45										M16			25	8,55													
KDR 300/16 (10 PCS)	E11KM-02020105902											M16	✓		10	3,42													
KDR 300/20 (25 PCS)	E11KM-02020106000											M20			25	8,5													
KDR 300/20 (10 PCS)	E11KM-02020106002											M20	✓		10	3,4													
KDR 400/12 (25 PCS)	E11KM-02020106100											400	27,5	38,5	70	115		55	M12	-					38	3	-	25	16,4
KDR 400/12	E11KM-02020106102																		M12	-								1	0,66
KDR 400/14 (25 PCS)	E11KM-02020106200	M14	-		25	16,4																							
KDR 400/14	E11KM-02020106202	M14	-		1	0,66																							
KDR 400/16 (25 PCS)	E11KM-02020106300	45					M16			25	19,9																		
KDR 400/16	E11KM-02020106302						M16	✓		1	0,8																		
KDR 400/20 (25 PCS)	E11KM-02020106400						M20			25	17																		
KDR 400/20	E11KM-02020106402						M20	✓		1	0,68																		

Type	Index Ergom	Cross-section, rm/sm [mm <sup>2</sup> ]	d	D	a	E	W	Screw hole	DIN	UL	Socket code no.	Lz/s	Lz/w	Quantity in package [pcs]	Weight [kg]
<b>KDR 500/12 (25 PCS)</b>	E11KM-02020106500	500	31,0	42,0	70	125	60	M12	-	-	42	3	-	25	19,8
<b>KDR 500/12</b>	E11KM-02020106502							1	0,8						
<b>KDR 500/14 (25 PCS)</b>	E11KM-02020106600							M14	-					25	19,8
<b>KDR 500/14</b>	E11KM-02020106602							1	0,8						
<b>KDR 500/16 (25 PCS)</b>	E11KM-02020106700							M16	-					25	20,5
<b>KDR 500/16</b>	E11KM-02020106702							1	0,82						
<b>KDR 500/20 (25 PCS)</b>	E11KM-02020106800							M20	√					25	20,2
<b>KDR 500/20</b>	E11KM-02020106802							1	0,81						
<b>KDR 625/12 (10 PCS)</b>	E11KM-02020106900	625	34,5	44,0	81	135	63	M12	-	-	44	3	-	10	8,2
<b>KDR 625/12</b>	E11KM-02020106902							1	0,82						
<b>KDR 625/14 (10 PCS)</b>	E11KM-02020107000							M14	-					10	8,2
<b>KDR 625/14</b>	E11KM-02020107002							1	0,82						
<b>KDR 625/16 (10 PCS)</b>	E11KM-02020107100							M16	-					10	8,2
<b>KDR 625/16</b>	E11KM-02020107102							1	0,82						
<b>KDR 625/20 (10 PCS)</b>	E11KM-02020107200							M20	√					10	8,1
<b>KDR 625/20</b>	E11KM-02020107202							1	0,81						

Lz/s - Number of crimping - wide, Lz/w - Number of crimping - narrow