

# Tubular ring terminals, KOR type

## FEATURES & BENEFITS

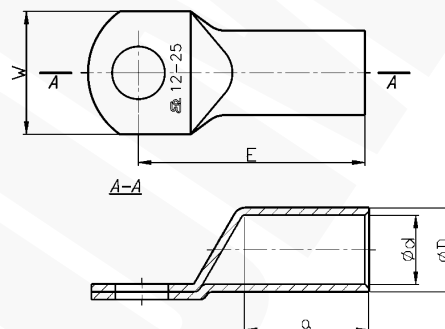
- ring terminal Cu, standard, with galvanic tin plating
- description of cable cross-section and terminal size on fin surface
- for voltage below 1 kV acc. to EN IEC 61238-1-1:2019  
for the voltage range 1-36 kV acc. to EN IEC 61238-1-3:2019
- very wide range

## MECHANICAL DATA

Material	Cu
Surface	tin-plated

## CERTIFICATES & STANDARDS

Standards	EN IEC 61238-1-1:2019 EN IEC 61238-1-3:2019 - mechanical strength Class 1 - short-circuit resistance Class A for range of rated cross-section 25-240mm <sup>2</sup>
Technical approval	PRS TE/2241/880567/19
UL certificate	E475284
Design	standard



## NOTE!

Sector-shaped conductors (sm) must be rounded with special dies. UL certificate - visit [www.ergom.com](http://www.ergom.com)

Type	Index Ergom	Cross-section, rm/sm [mm <sup>2</sup> ]	d	D	a	E	W	Screw hole	UL	Socket code no.	Lz/s	Lz/w	Quantity in package [pcs]	Weight [kg]
KOR 0,75/3 (100 PCS)	E11KM-01020100150	0,75	1,3	2,8	5,8	12,0	6,0	M3	√	-	-	1	100	0,06
KOR 0,75/4 (100 PCS)	E11KM-01020100250					13,0	6,5	M4						
KOR 0,75/5 (100 PCS)	E11KM-01020100350					14,0	7,5	M5						
KOR 1,5/3 (100 PCS)	E11KM-01020100450	1,5	1,8	3,3	5,8	12,0	6,5	M3	√	-	-	1	100	0,08
KOR 1,5/4 (100 PCS)	E11KM-01020100560					13,0		M4						0,1
KOR 1,5/5 (100 PCS)	E11KM-01020100660					14,0	7,5	M5						0,09
KOR 1,5/6 (100 PCS)	E11KM-01020100760	2,5	2,3	4,2	5,8	16,0	9,0	M6	√	-	-	1	100	0,1
KOR 2,5/3 (100 PCS)	E11KM-01020100850					12,0	7,5	M3						0,13
KOR 2,5/4 (100 PCS)	E11KM-01020100950					13,0		M4						
KOR 2,5/5 (100 PCS)	E11KM-01020101050	2,5	2,3	4,2	5,8	14,0	8,5	M5	√	-	-	1	100	0,14
KOR 2,5/6 (100 PCS)	E11KM-01020101150					16,0	9,5	M6						0,16
KOR 2,5/8 (100 PCS)	E11KM-01020101220					20,0	13,0	M8						0,19
KOR 4/4 (100 PCS)	E11KM-01020101360	4	3,0	5,0	7,8	18,0	8,5	M4	√	-	-	1	100	0,22
KOR 4/5 (100 PCS)	E11KM-01020101450					19,0	9,0	M5						0,26
KOR 4/6 (100 PCS)	E11KM-01020101550					22,0	13,0	M8						0,28
KOR 4/8 (100 PCS)	E11KM-01020101650	6	4,0	6,0	8,7	18,0	9,5	M4	√	4	1	1	100	0,3
KOR 6/4 (100 PCS)	E11KM-01020101760					19,0		M5						0,31
KOR 6/5 (100 PCS)	E11KM-01020101850					19,0	10,0	M6						0,35
KOR 6/6 (100 PCS)	E11KM-01020101960	6	4,0	6,0	8,7	22,0	14,0	M8	√	4	1	1	100	0,37
KOR 6/8 (100 PCS)	E11KM-01020102060					25,0	16,0	M10						0,4
KOR 6/10 (100 PCS)	E11KM-01020102160					19,0	M12							
KOR 6/12 (100 PCS)	E11KM-01020102250													

Type	Index Ergom	Cross-section, rm/sm [mm <sup>2</sup> ]	d	D	a	E	W	Screw hole	UL	Socket code no.	Lz/s	Lz/w	Quantity in package [pcs]	Weight [kg]								
KOR 10/5 (100 PCS)	E11KM-01020102300	10	4,5	7,0	10	21,0	12,0	M5	√	7	1	1	100	0,53								
KOR 10/5 (10 PCS)	E11KM-01020102302																				10	0,06
KOR 10/6 (100 PCS)	E11KM-01020102400													21,5	M6						100	0,52
KOR 10/6 (10 PCS)	E11KM-01020102402																					10
KOR 10/8 (100 PCS)	E11KM-01020102500													23,5	15,0	M8					100	0,6
KOR 10/8 (10 PCS)	E11KM-01020102502																				10	0,06
KOR 10/10 (100 PCS)	E11KM-01020102600													25,5	17,0	M10					100	0,65
KOR 10/10 (10 PCS)	E11KM-01020102602																				10	0,07
KOR 10/12 (100 PCS)	E11KM-01020102700													26,5	19,0	M12					100	0,64
KOR 10/12 (10 PCS)	E11KM-01020102702																				10	0,07
KOR 16/5 (100 PCS)	E11KM-01020102800					16	5,5	8,5					13	25,0	12,0	M5	√	8	1	2	100	0,91
KOR 16/5 (10 PCS)	E11KM-01020102802																					
KOR 16/6 (100 PCS)	E11KM-01020102900								25,5	M6											100	0,9
KOR 16/6 (10 PCS)	E11KM-01020102902																					10
KOR 16/8 (100 PCS)	E11KM-01020103000								27,5	15,0	M8										100	0,97
KOR 16/8 (10 PCS)	E11KM-01020103002																				10	0,1
KOR 16/10 (100 PCS)	E11KM-01020103100								29,5	17,0	M10										100	1
KOR 16/10 (10 PCS)	E11KM-01020103102																				10	0,1
KOR 16/12 (100 PCS)	E11KM-01020103250								30,5	19,0	M12										100	1,1
KOR 16/12 (10 PCS)	E11KM-01020103252																				10	0,2
KOR 25/5 (100 PCS)	E11KM-01020103300	25	7,0	10,0	15				28,0	14,0	M5	√		10	1	2					100	1,18
KOR 25/5 (10 PCS)	E11KM-01020103302																					
KOR 25/6 (100 PCS)	E11KM-01020103400									28,5	M6										100	1,22
KOR 25/6 (10 PCS)	E11KM-01020103402																					10
KOR 25/8 (100 PCS)	E11KM-01020103500									30,5	16,0		M8								100	1,25
KOR 25/8 (10 PCS)	E11KM-01020103502																				10	0,2
KOR 25/10 (100 PCS)	E11KM-01020103600									32,5	18,0		M10								100	1,3
KOR 25/10 (10 PCS)	E11KM-01020103602																				10	0,2
KOR 25/12 (100 PCS)	E11KM-01020103700									33,5	19,0		M12								100	1,3
KOR 25/12 (10 PCS)	E11KM-01020103702																				10	0,2
KOR 25/14 (100 PCS)	E11KM-01020103800									35,5	21,0		M14								100	1,45
KOR 25/14 (10 PCS)	E11KM-01020103802																				10	0,2
KOR 35/5 (100 PCS)	E11KM-01020103880	35	8,5	12,0	17		18,0	M5	√	12	1	2	100	1,6								
KOR 35/5 (10 PCS)	E11KM-01020103882																					10
KOR 35/6 (100 PCS)	E11KM-01020103900													31,5	M6						100	1,8
KOR 35/6 (10 PCS)	E11KM-01020103902																					10
KOR 35/8 (100 PCS)	E11KM-01020104000													33,5	18,0	M8					100	1,94
KOR 35/8 (10 PCS)	E11KM-01020104002																				10	0,2
KOR 35/10 (100 PCS)	E11KM-01020104100													35,5		M10					100	2,1
KOR 35/10 (10 PCS)	E11KM-01020104102																				10	0,3
KOR 35/12 (100 PCS)	E11KM-01020104200													36,5	20,0	M12					100	2,05
KOR 35/12 (10 PCS)	E11KM-01020104202																				10	0,3
KOR 35/14 (100 PCS)	E11KM-01020104300													38,5	21,0	M14					100	2,2
KOR 35/14 (10 PCS)	E11KM-01020104302																				10	0,3
KOR 35/16 (100 PCS)	E11KM-01020104400					39,5	26,0	M16					100	2,3								
KOR 35/16 (10 PCS)	E11KM-01020104402												10	0,3								
KOR 50/6 (100 PCS)	E11KM-01020104500	50	10,0	14,0	19	34,5		M6	√	14	1	2	100	2,58								
KOR 50/6 (10 PCS)	E11KM-01020104502																				10	0,3
KOR 50/8 (100 PCS)	E11KM-01020104600													36,5	20,0	M8					100	2,8
KOR 50/8 (10 PCS)	E11KM-01020104602																				10	0,3
KOR 50/10 (100 PCS)	E11KM-01020104700													38,5		M10					100	3,05
KOR 50/10 (10 PCS)	E11KM-01020104702																				10	0,3
KOR 50/12 (100 PCS)	E11KM-01020104800													39,5		M12					100	2,95
KOR 50/12 (10 PCS)	E11KM-01020104802														23,0						10	0,3
KOR 50/14 (100 PCS)	E11KM-01020104900													41,5		M14					100	3,2
KOR 50/14 (10 PCS)	E11KM-01020104902																				10	0,4
KOR 50/16 (100 PCS)	E11KM-01020105000													42,5	28,0	M16					100	3,3
KOR 50/16 (10 PCS)	E11KM-01020105002																				10	0,4
KOR 50/20 (100 PCS)	E11KM-01020105100					47,0	30,0	M20					100	3,6								
KOR 50/20 (10 PCS)	E11KM-01020105102												10	0,4								

Type	Index Ergom	Cross-section, rm/sm [mm <sup>2</sup> ]	d	D	a	E	W	Screw hole	UL	Socket code no.	Lz/s	Lz/w	Quantity in package [pcs]	Weight [kg]								
KOR 70/6 (100 PCS)	E11KM-01020105200	70	12,0	16,5	21	40,5	23,0	M6	√	16	1	2	100	4,25								
KOR 70/6 (10 PCS)	E11KM-01020105202							10					0,5									
KOR 70/8 (100 PCS)	E11KM-01020105300							100					4,2									
KOR 70/8 (10 PCS)	E11KM-01020105302							10					0,5									
KOR 70/10 (100 PCS)	E11KM-01020105400					100	4,6															
KOR 70/10 (10 PCS)	E11KM-01020105402					10	0,5															
KOR 70/12 (100 PCS)	E11KM-01020105500					100	4,4															
KOR 70/12 (10 PCS)	E11KM-01020105502					10	0,5															
KOR 70/14 (100 PCS)	E11KM-01020105600					100	4,9															
KOR 70/14 (10 PCS)	E11KM-01020105602					10	0,5															
KOR 70/16 (100 PCS)	E11KM-01020105700					100	4,7															
KOR 70/16 (10 PCS)	E11KM-01020105702					10	0,5															
KOR 70/20 (100 PCS)	E11KM-01020105800					100	5															
KOR 70/20 (10 PCS)	E11KM-01020105802					10	0,5															
KOR 95/8 (50 PCS)	E11KM-01020105900					95	13,5	18,0					24	47,0	26,0	M8	√	17	1	2	50	2,8
KOR 95/8 (10 PCS)	E11KM-01020105902															10					0,6	
KOR 95/10 (50 PCS)	E11KM-01020106000	50	2,72																			
KOR 95/10 (10 PCS)	E11KM-01020106002	10	0,6																			
KOR 95/12 (50 PCS)	E11KM-01020106100	50	2,65																			
KOR 95/12 (10 PCS)	E11KM-01020106102	10	0,6																			
KOR 95/14 (50 PCS)	E11KM-01020106200	50	2,85																			
KOR 95/14 (10 PCS)	E11KM-01020106202	10	0,6																			
KOR 95/16 (50 PCS)	E11KM-01020106300	50	2,85																			
KOR 95/16 (10 PCS)	E11KM-01020106302	10	0,6																			
KOR 95/20 (50 PCS)	E11KM-01020106400	50	3,1																			
KOR 95/20 (10 PCS)	E11KM-01020106402	10	0,7																			
KOR 120/8 (50 PCS)	E11KM-01020106500	120	15,0	19,5	26				50,0	29,0	M8	√		19	1	2					50	3,3
KOR 120/8 (10 PCS)	E11KM-01020106502										10										0,7	
KOR 120/10 (50 PCS)	E11KM-01020106600										50										3,15	
KOR 120/10 (10 PCS)	E11KM-01020106602										10										0,7	
KOR 120/12 (50 PCS)	E11KM-01020106700					50	3,17															
KOR 120/12 (10 PCS)	E11KM-01020106702					10	0,7															
KOR 120/14 (50 PCS)	E11KM-01020106800					50	3,4															
KOR 120/14 (10 PCS)	E11KM-01020106802					10	0,7															
KOR 120/16 (50 PCS)	E11KM-01020106900					50	3,4															
KOR 120/16 (10 PCS)	E11KM-01020106902					10	0,7															
KOR 120/20 (50 PCS)	E11KM-01020107000					50	3,5															
KOR 120/20 (10 PCS)	E11KM-01020107002					10	0,8															
KOR 150/8 (50 PCS)	E11KM-01020107100					150	16,5	21,0	29	54,0	31,0		M8				√	20	2	3	50	3,78
KOR 150/8 (10 PCS)	E11KM-01020107102												10								0,8	
KOR 150/10 (50 PCS)	E11KM-01020107200												50								3,73	
KOR 150/10 (10 PCS)	E11KM-01020107202												10								0,8	
KOR 150/12 (50 PCS)	E11KM-01020107300	50	3,55																			
KOR 150/12 (10 PCS)	E11KM-01020107302	10	0,8																			
KOR 150/14 (50 PCS)	E11KM-01020107400	50	3,9																			
KOR 150/14 (10 PCS)	E11KM-01020107402	10	0,8																			
KOR 150/16 (50 PCS)	E11KM-01020107500	50	3,8																			
KOR 150/16 (10 PCS)	E11KM-01020107502	10	0,8																			
KOR 150/20 (50 PCS)	E11KM-01020107600	50	4,2																			
KOR 150/20 (10 PCS)	E11KM-01020107602	10	0,9																			
KOR 185/10 (50 PCS)	E11KM-01020107700	185	19,0	24,0	30					56,5	35,0	M10	√	23	2	3					50	4,92
KOR 185/10 (10 PCS)	E11KM-01020107702											10									1	
KOR 185/12 (50 PCS)	E11KM-01020107800											50									4,82	
KOR 185/12 (10 PCS)	E11KM-01020107802											10									1	
KOR 185/14 (50 PCS)	E11KM-01020107900					50	5,35															
KOR 185/14 (10 PCS)	E11KM-01020107902					10	1,1															
KOR 185/16 (50 PCS)	E11KM-01020108000					50	5,11															
KOR 185/16 (10 PCS)	E11KM-01020108002					10	1,1															
KOR 185/20 (50 PCS)	E11KM-01020108100					50	5,5															
KOR 185/20 (10 PCS)	E11KM-01020108102					10	1,2															

Type	Index Ergom	Cross-section, rm/sm [mm <sup>2</sup> ]	d	D	a	E	W	Screw hole	UL	Socket code no.	Lz/s	Lz/w	Quantity in package [pcs]	Weight [kg]										
KOR 240/10 (50 PCS)	E11KM-01020108200	240	21,0	26,0	38	73,5	38,0	M10	√	25	2	4	50	7,3										
KOR 240/10 (10 PCS)	E11KM-01020108202							10					1,5											
KOR 240/12 (50 PCS)	E11KM-01020108300							M12					50	7,3										
KOR 240/12 (10 PCS)	E11KM-01020108302							10					1,5											
KOR 240/14 (50 PCS)	E11KM-01020108400							M14					50	7,2										
KOR 240/14 (10 PCS)	E11KM-01020108402							10					1,5											
KOR 240/16 (50 PCS)	E11KM-01020108500							M16					50	7,1										
KOR 240/16 (10 PCS)	E11KM-01020108502							10					1,5											
KOR 240/20 (50 PCS)	E11KM-01020108600							M20					50	7										
KOR 240/20 (10 PCS)	E11KM-01020108602							10					1,5											
KOR 300/10 (25 PCS)	E11KM-01020108700							300					24,0	30,0	45	82,5	43,0	M10	-	28	2	-	25	5,7
KOR 300/10 (10 PCS)	E11KM-01020108702																	10					2,3	
KOR 300/12 (25 PCS)	E11KM-01020108800																	M12					25	5,5
KOR 300/12 (10 PCS)	E11KM-01020108802																	10					2,3	
KOR 300/14 (25 PCS)	E11KM-01020108900																	M14					25	5,55
KOR 300/14 (10 PCS)	E11KM-01020108902																	10					2,3	
KOR 300/16 (25 PCS)	E11KM-01020109000	M16	25	5,5																				
KOR 300/16 (10 PCS)	E11KM-01020109002	10	2,3																					
KOR 300/20 (25 PCS)	E11KM-01020109100	M20	25	5,2																				
KOR 300/20 (10 PCS)	E11KM-01020109102	10	2,1																					
KOR 400/12	E11KM-01020109202	400	27,5	33,5	50	90,0	49,0		M12	-	32	2						-					1	0,3
KOR 400/16	E11KM-01020109402								M16															
KOR 400/20	E11KM-01020109502								M20															
KOR 500/12	E11KM-01020109602	500	31,0	38,0	70	112,5	55,0		M12	-	36	3						-					1	0,5
KOR 500/14	E11KM-01020109702								M14															
KOR 500/16	E11KM-01020109802								M16															
KOR 500/20	E11KM-01020109902							M20																
KOR 625/12	E11KM-01020110002	625	34,0	40,0	70	114,0	60	M12	-	42	3	-	1	0,5										
KOR 625/16	E11KM-01020110202							M16																
KOR 625/20	E11KM-01020110302							M20																

Lz/s - Number of crimping - wide, Lz/w - Number of crimping - narrow