



DynaVision Programmable Xtreme for SON

HID-DV PROG Xt 150 SON Q 208-277V

Highly reliable and flexible electronic drivers for SON lamps; designed to save energy via integrated controls, and to reduce maintenance costs thanks to 80,000-hour lifetime and integrated lightning protection. The DynaVision Programmable product family is the perfect basis for any sort of lighting management solution.

Product data

General Information	
Number of Lamps	1 piece/unit
Number of Products on MCB (16A Type B) (Nom)	5
Brand	Philips
Operating and Electrical	
Input Voltage	208-240-277 V
Line Frequency	50 to 60 Hz
Input Frequency	50 to 60 Hz
Earth Leakage Current (Max)	0.7 mA
Inrush Current Width	0.47 ms
Input Current (Nom)	0.77 A
Inrush Current Peak (Nom)	52 A
Wiring	
Cable Length From Device to Lamp	10 m

Connector Type	WAGO series 804
Temperature	
Ambient temperature range	-30 °C to 55 °C
T-Case Lifetime (Nom)	80 °C
Controls and Dimming	
Control Interface	PROG
Mechanical and Housing	
Housing	Q
Approval and Application	
Surge Protection (Common/Differential)	EN61547 (L-L 2kV, L-G 4kV), 10 kV TIL
Safety Standard	IEC 607, 609, 926, 928 [No Standard for HID Lamp drivers exists. Requirements in these

DynaVision Programmable Xtreme for SON

standards to be used if considered relevant for the product.]

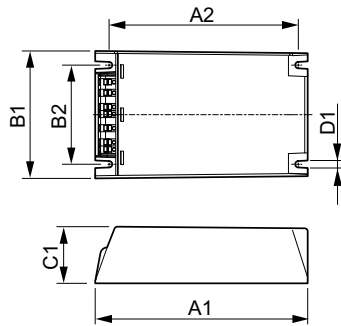
Environmental Standard	ISO 14001
Approval Marks	F-Marking CE marking ENEC certificate VDE-EMV certificate

Product Data

Full product code	871829166930200
Order product name	HID-DV PROG Xt 150 SON Q 208-277V

Order code	66930200
Numerator - Quantity Per Pack	1
Numerator - Packs per outer box	12
Material number (12NC)	913700693666
Full product name	HID-DV PROG Xt 150 SON Q 208-277V
EAN/UPC - Case	8718291669319

Dimensional drawing



Product	D1	C1	A1	A2	B1	B2
HID-DV PROG Xt 150 SON Q 208-277V	4.5 mm	40.0 mm	150.0 mm	133.6 mm	90.0 mm	70.0 mm

