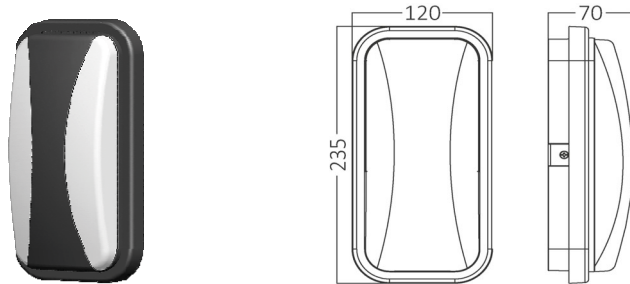


Product Datasheet



Products Family : Led Lighting Fixture
Products Name : LED Bulkhead

Datasheet is valid for following Model numbers

Product Code	CCT	Body Color
BG38-00202	3000K	Black
BG38-00212	4000K	Black
BG38-00232	6500K	Black

Manufacturer:
Demgrup international lighting limited
unit d 16/f,one capital place,18 luard road
wan chai, Hong Kong
www.demgrup.com.tr

Importer / Company:
Braytron S.R.L
Bulevardul iuliu maniu,nr.616, corp B
etaj 1 sector 6,061129 bucuresti, Romania
info@braytron.com www.braytron.com

Test condition:light for 30 mins under nominal voltage input and 25°C±1°working environment

General Characteristics

- Family : Led Lighting Fixture
- Sub Family : LED Bulkhead
- Mounting Type : Surface Mounting
- Lamp Shape : Non-Directional
- Dimmable : Not-Dimmable
- Light Source : LED
- Warranty : 2 years
- Class : Class II
- IP : IP65
- IK : IK06

Lamp Characteristics

- Wattage : 15 w
- Color Temperatue : 3000K/4000K/6500K
- Luminous Flux(whole Product) : 1460 lm
- Luminous Flux(LED System) : 1460 lm
- Color Rendering Index(CRI) : > 80
- Energy Efficiency Level : F
- Beam Angle : 120 Degree(s)
- Chromaticity(SDCM) : < 6

Electrical Characteristics

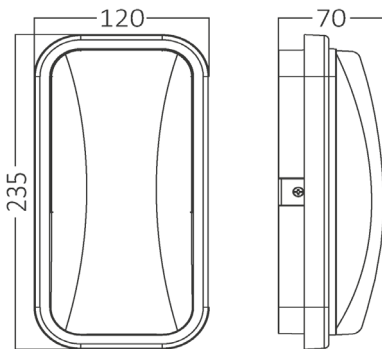
- Lifetime (L70B50) : 20000 h
- Input Voltage : 220-240V
- Frequency : 50-60 Hz
- Power Factor : > 0.5
- Starting Time : < 0.5 s
- Lumen Maintenance Factor : > 0.899
- Number of Switch Cycles : > 15000
- Material : Plastic
- Working Temperature : -20°C~+45°C
- Storage Temperature : -20°C~+60°C
- Environment humidity(working) : 10%~65%

Test condition:light for 30 mins under nominal voltage input and 25°C±1°working environment

Lamp Dimensions & Weight

- Diameter(mm) :
- Length(mm) : 235
- Width(mm) : 120
- Height(mm) : 70
- Cutout(mm) :
- Weight(gr) : 300

Technical Drawing(s)



Reliability requirements and Test Conditions

- **Lumen maintenance**
Lumen maintenance is not lower than 89.9% after lighting for 2.5h on and 0.5h off for one cycle.
Total 1200 cycle and 3600h including 3000h on and 600h off.
- **Working life (L70B50)**
Under nominal voltage input, working life is forced not lower than 20000 h at 25°C±1°C

- **Remarks:**

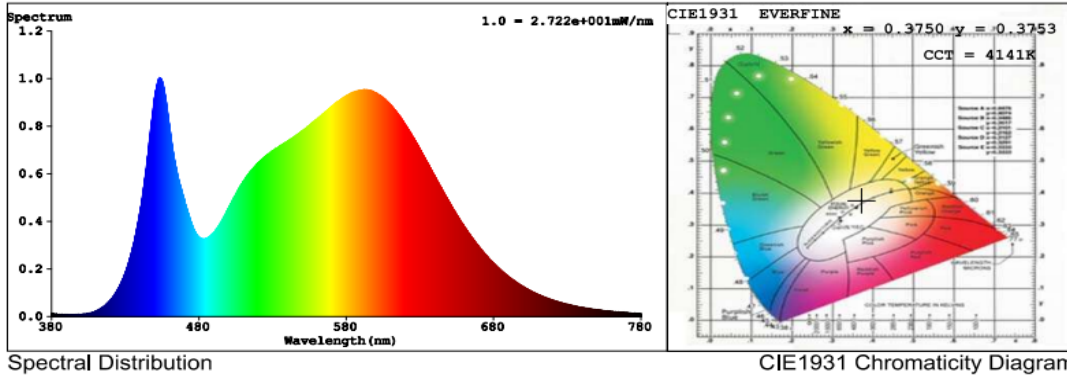
Declared values above may vary ±5



Luminare is intendent to use in outdoor aplications

Test condition: light for 30 mins under nominal voltage input and 25°C±1° working environment

Optical and electrical test parameter:



Colorimetric Parameters

Chromaticity Coordinate: $x = 0.3750$ $y = 0.3753$ / $u' = 0.2221$ $v' = 0.5001$ ($duv=9.33e-04$)

CCT= 4141K Prcp WL: $\lambda_d=578.0nm$ Purity=25.1%

Peak WL: $\lambda_p=454nm$ FWHM: =28.0nm Ratio:R=17.8% G=78.3% B=3.9%

Render Index: Ra = 83.1

R1 =81 R2 =90 R3 =95 R4 =81 R5 =81 R6 =85 R7 =86

R8 =65 R9 =8 R10=75 R11=79 R12=62 R13=84 R14=98 R15=75

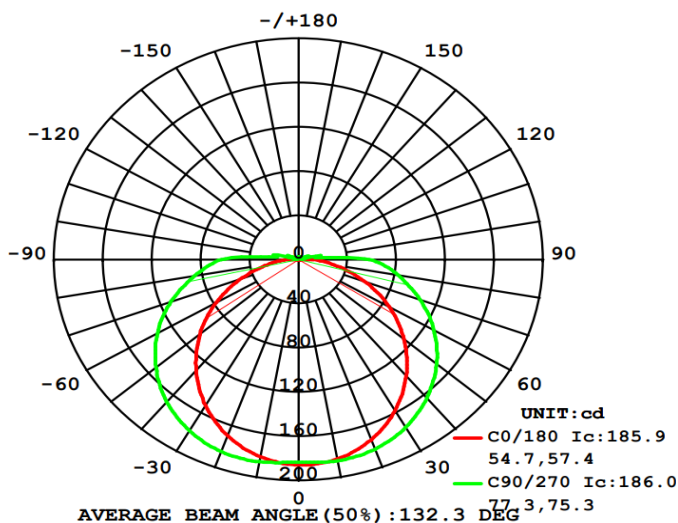
Photometric & Radiometric Parameters

Flux = 1512.7 lm Eff. : 103.17 lm/W Fe = 4.6258 W

Electrical parameters

V = 230.5 V I = 0.1160 A P = 14.66 W PF = 0.5482

Darkroom Test report



Flux out: 431.0 lm

Height	Eavg, Emax	Angle: 112.08deg	Diameter
1m	57.86, 185.81x		296.96cm
2m	14.47, 46.461x		593.91cm
3m	6.429, 20.651x		890.87cm
4m	3.616, 11.611x		1187.82cm
5m	2.314, 7.4331x		1484.78cm
6m	1.607, 5.1621x		1781.73cm
7m	1.181, 3.7931x		2078.69cm
8m	0.9041, 2.9041x		2375.65cm
9m	0.7143, 2.2941x		2672.60cm
10m	0.5786, 1.8581x		2969.56cm