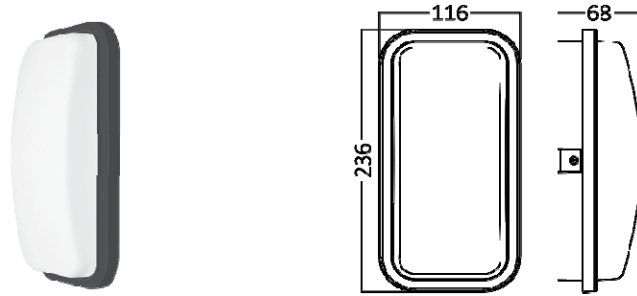


Product Datasheet



Products Family : Led Lighting Fixture
Products Name : LED Bulkhead

Datasheet is valid for following Model numbers

Product Code	CCT	Body Color
BG38-00302	3000K	Black
BG38-00312	4000K	Black
BG38-00332	6500K	Black

Manufacturer:
Demgrup international lighting limited
unit d 16/f,one capital place,18 luard road
wan chai, Hong Kong
www.demgrup.com.tr

Importer / Company:
Braytron S.R.L
Bulevardul iuliu maniu,nr.616, corp B
etaj 1 sector 6,061129 bucuresti, Romania
info@braytron.com www.braytron.com

Test condition:light for 30 mins under nominal voltage input and 25°C±1°working environment

General Characteristics

- Family : Led Lighting Fixture
- Sub Family : LED Bulkhead
- Mounting Type : Surface Mounting
- Lamp Shape : Non-Directional
- Dimmable : Not-Dimmable
- Light Source : LED
- Warranty : 2 years
- Class : Class II
- IP : IP65
- IK : IK06

Lamp Characteristics

- Wattage : 15 w
- Color Temperatue : 3000K/4000K/6500K
- Luminous Flux(whole Product) : 1460 lm
- Luminous Flux(LED System) : 1460 lm
- Color Rendering Index(CRI) : > 80
- Energy Efficiency Level : F
- Beam Angle : 120 Degree(s)
- Chromaticity(SDCM) : < 6

Electrical Characteristics

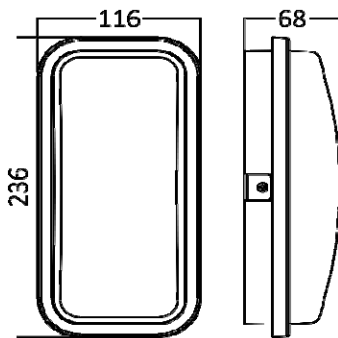
- Lifetime (L70B50) : 20000 h
- Input Voltage : 220-240V
- Frequency : 50-60 Hz
- Power Factor : > 0.5
- Starting Time : < 0.5 s
- Lumen Maintenance Factor : > 0.899
- Number of Switch Cycles : > 15000
- Material : Plastic
- Working Temperature : -20°C~+45°C
- Storage Temperature : -20°C~+60°C
- Environment humidity(working) : 10%~65%

Test condition:light for 30 mins under nominal voltage input and 25°C±1°working environment

Lamp Dimensions & Weight

- Diameter(mm) :
- Length(mm) : 236
- Width(mm) : 116
- Height(mm) : 68
- Cutout(mm) :
- Weight(gr) : 256

Technical Drawing(s)



Reliability requirements and Test Conditions

- **Lumen maintenance**
Lumen maintenance is not lower than 89.9% after lighting for 2.5h on and 0.5h off for one cycle.
Total 1200 cycle and 3600h including 3000h on and 600h off.
- **Working life (L70B50)**
Under nominal voltage input, working life is forced not lower than 20000 h at 25°C±1°C

- **Remarks:**

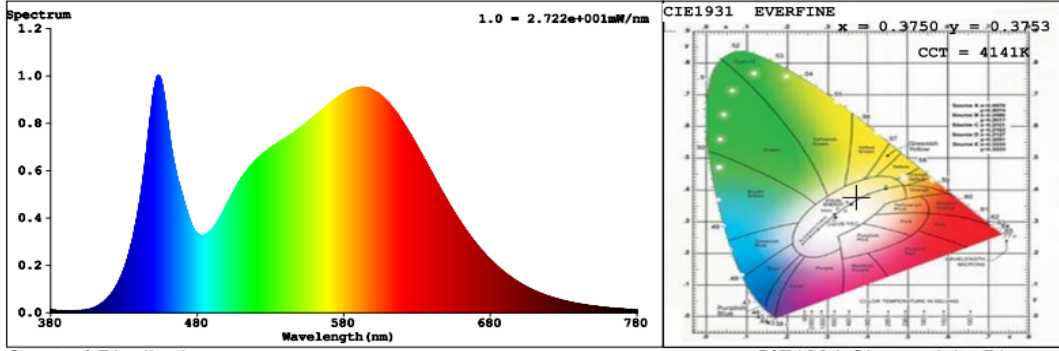
Declared values above may vary ±5



Luminare is intendent to use in outdoor aplications

Test condition: light for 30 mins under nominal voltage input and 25°C±1° working environment

Optical and electrical test parameter:



Spectral Distribution

CIE1931 Chromaticity Diagram

Colorimetric Parameters

Chromaticity Coordinate: $x = 0.3750$ $y = 0.3753$ / $u' = 0.2221$ $v' = 0.5001$ ($duv = 9.33e-04$)

CCT= 4141K Prcp WL: Ld=578.0nm Purity=25.1%

Peak WL: Lp=454nm FWHM: =28.0nm Ratio:R=17.8% G=78.3% B=3.9%

Render Index: Ra = 83.1

R1 =81 R2 =90 R3 =95 R4 =81 R5 =81 R6 =85 R7 =86
R8 =65 R9 =8 R10=75 R11=79 R12=62 R13=84 R14=98 R15=75

Photometric & Radiometric Parameters

Flux = 1512.7 lm Eff. : 103.17 lm/W Fe = 4.6258 W

Electrical parameters

V = 230.5 V I = 0.1160 A P = 14.66 W PF = 0.5482

Darkroom Test report

