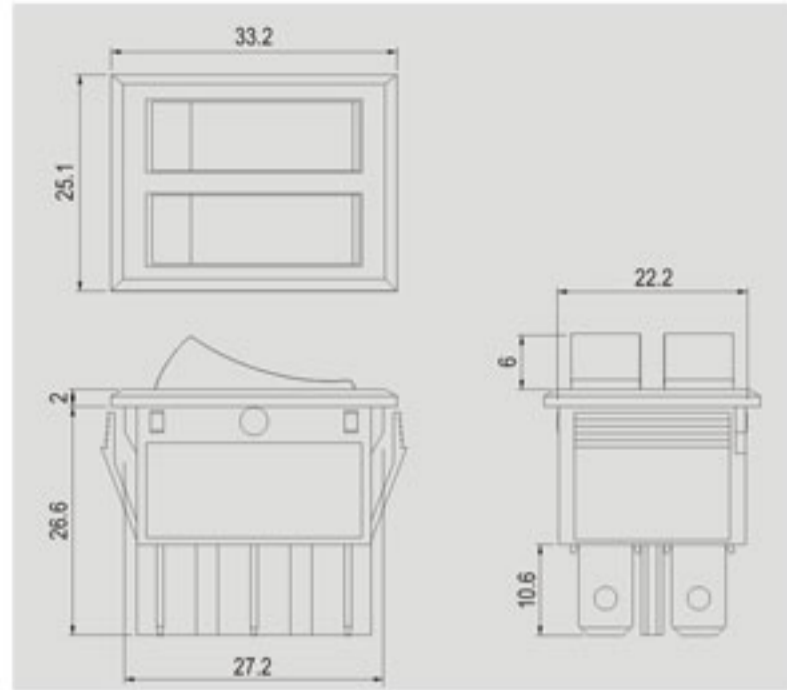


R13-90P



Rating
16A 125V AC 1/8HP 125VAC 10A 250V AC 1/3HP 250VAC
Contact resistance
50mΩ Max
Insulation resistance
DC 500V 100MΩ Min
Dielectric strength
AC 1500V 1 minute
Cut-out

	X	Y
	X	Y
0.75-1.25	30.2±0.1	22.2±0.1
1.25-2	30.4±0.1	22.2±0.1
2-3	30.8±0.1	22.2±0.1

FEATURES

- * MATERIAL: Frames are nylon (UL flame: 94V-2). Terminals are silver plated brass.
- * Illuminated actuators are molded in PC, available with red, amber and green colors.
- * Snap-in mounting, easy to install switch into panel.

R13-90P

FUNCTION	FUNCTION	TERMINAL
A 2P SPST	A 2P SPST	0 1 .250" SQ
B 3P SPST (ILLUMINATED) 125VAC 33KΩ / 250VAC 150KΩ	B 3P SPST (ILLUMINATED) 125VAC 33KΩ / 250VAC 150KΩ	
C 3P SPDT	C 3P SPDT	
L R9-70 Neon (Indicator light) 110/220V 		

