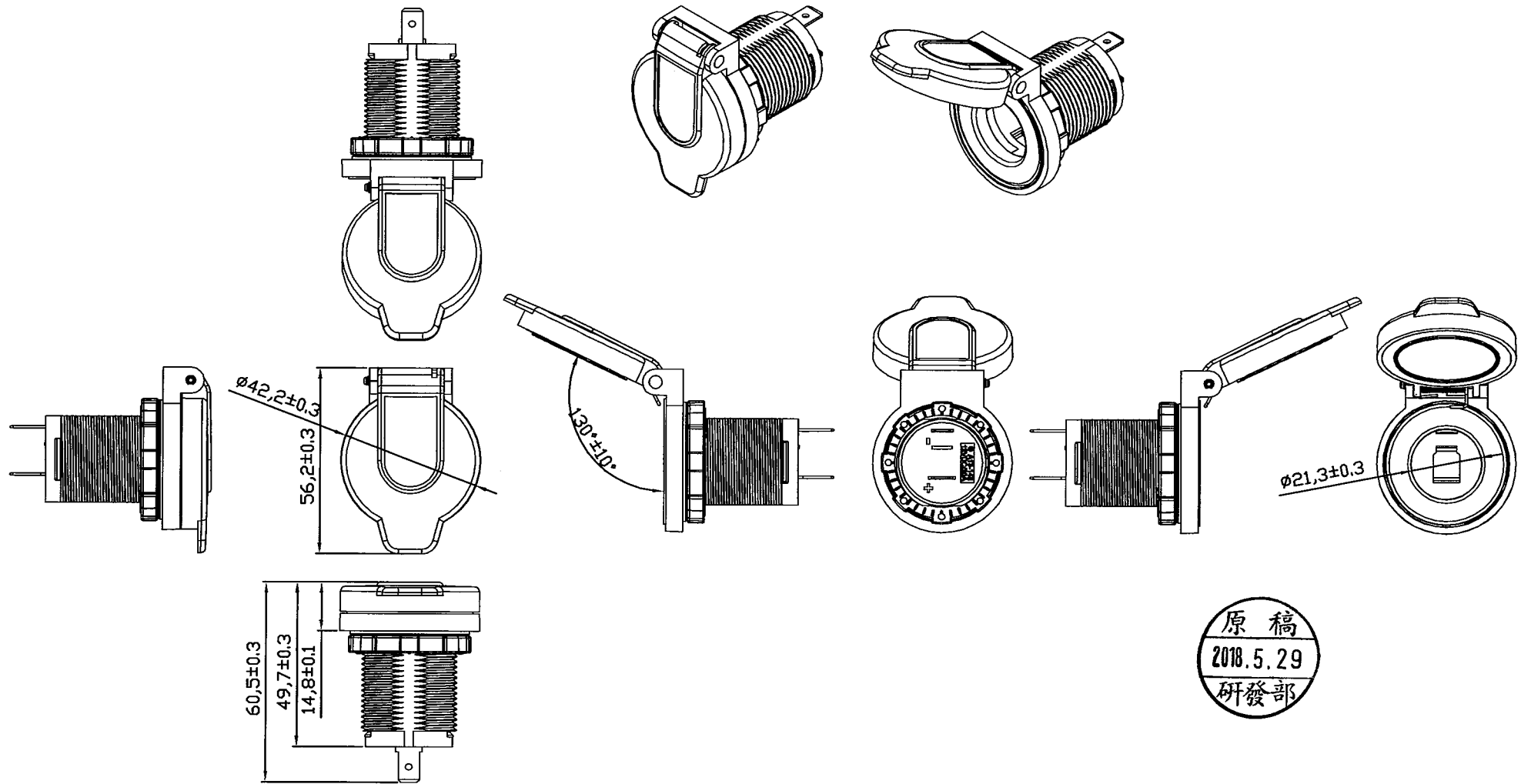


Rating	12-24V DC 20A max.
Insulation Resistance	DC 500V 100M ohm Min.
Dielectric Strength	AC 1500V 1 minute
Operation Temperature	-20°C~40°C
waterproof level	IPX3
10A Fits wire 18AWG	
15A Fits wire 16AWG	
20A Fits wire 12AWG	



原稿
2018.5.29
研發部

A3

Date	Name	Description	No.	Drawn	Checked	Approved	SCI BOM No.	1251727	Model Name	Car sockets
				蘇承民	蘇承民	蘇承民	Customer No.		Model No.	A13-224142C2-BB3
				20180517	20180517		Unit	mm	Shin Chin Industrial Co., Ltd.	Rev. 0