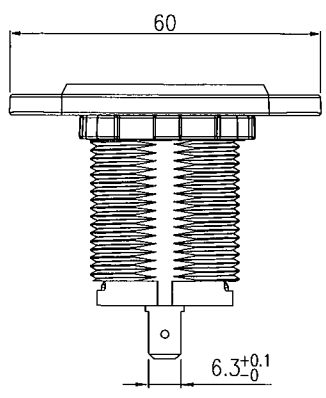
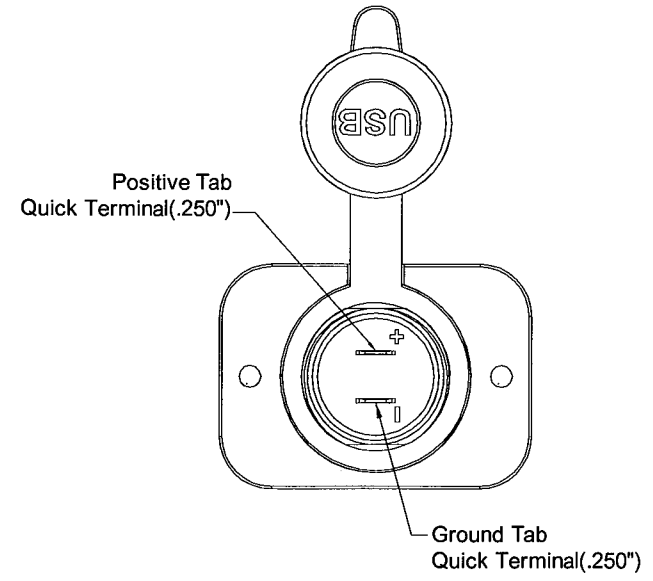
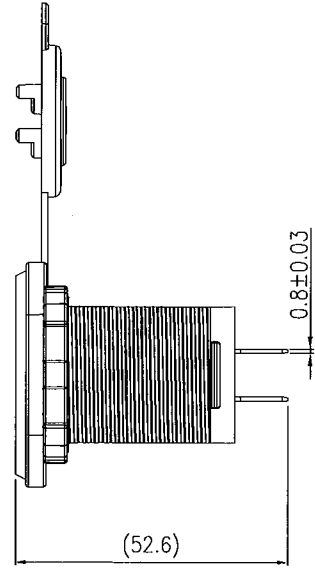
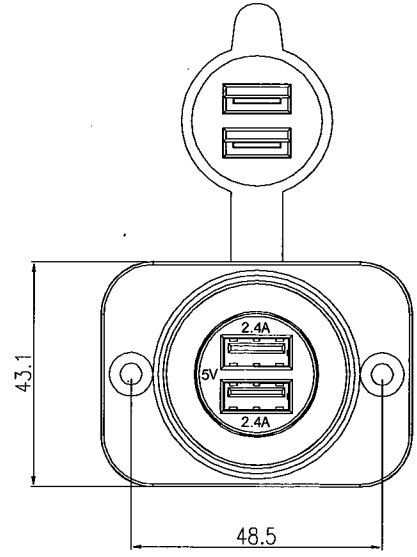
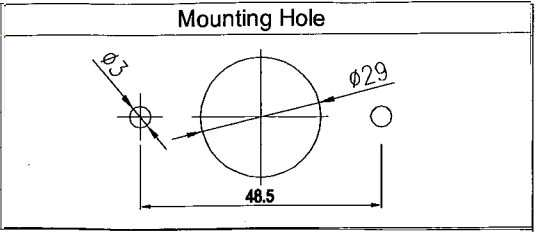




Rating	Input: 12V/24 DC Output: 5V DC 2.4A+2.4A max.
Insulation Resistance	DC 500V 100MΩ Min.
Dielectric Strength	AC 1500V 1 minute
Operating Temperature	-20°C~45°C



原稿  
2017.7.04  
研發部

Tolerances ±0.3 Unless Otherwise Specified

Drawn	Checked	Approved	SCI BOM No.	1251690	Model Name	USB Socket	
方婷鳳	許冠禎	[Signature]	Customer No.		Model No.	A13-194B2PS-BB3	Rev.
Date	Name	Description	No.	06/29/17	Unit	mm	Shin Chin Industrial Co., Ltd.