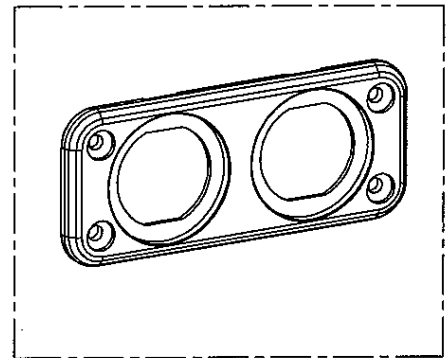
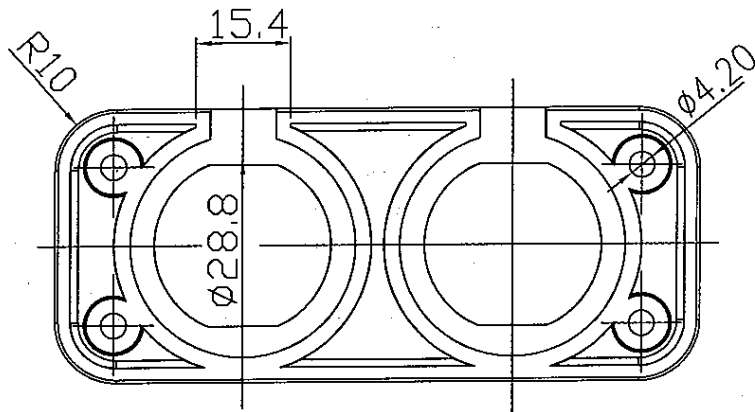
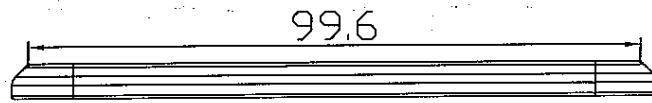
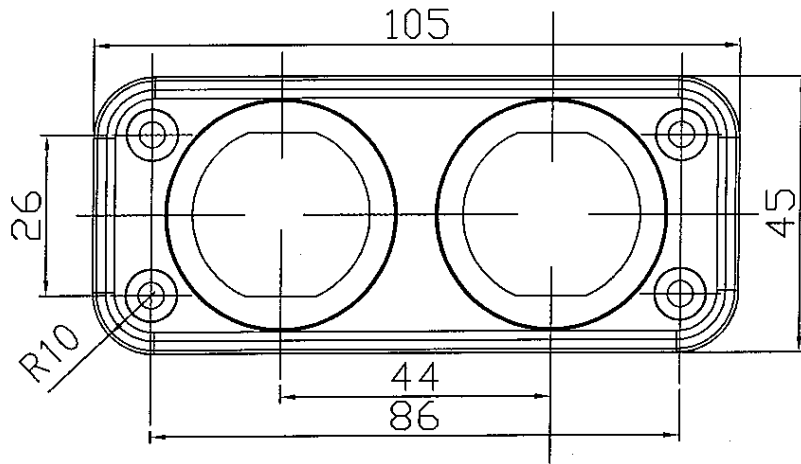


原稿



附螺絲包

A4

								△
								△
								NO
Date	Name	Description			Model Name	Panel		
Drawn	Checked	Approved	SCI BOM No.	1250769	Model Name	Panel		
方婷鳳	<i>[Signature]</i>	<i>[Signature]</i>	Customer No.		Model No.	A13-165-1		REV.
06/17/09	6/17/09	6/18/09	Unit	mm	SHIN CHIN INDUSTRIAL CO., LTD.			0