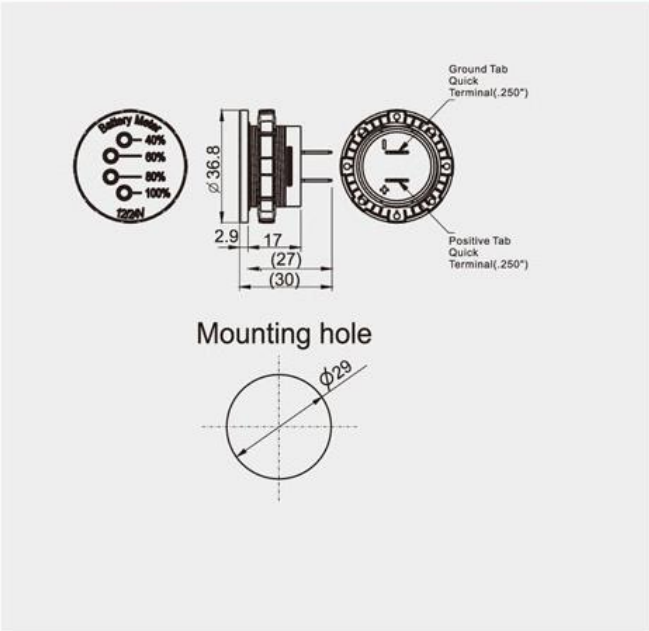


A25-4



FEATURES

LED INDICATORS DC VOLTMETER

* RATING

Input voltage: 7V-33V DC.

* MATERIAL

Housing: nylon with glass fiber.(UL 94-HB).

* 4 LEDs indicate different levels of battery power.

* Reverse polarity protection.

* Surge protection up to 400W/35V.

* With 6.3 mm snap-in terminals.

* Mounting hole : $\varnothing 29$ mm.

* Optional accessory: single / dual / triple mounting panel & surface mount cases.

Voltage		12V	24V
LED Display			
40% ON	R	11.4V~11.8V	22.7V~23.6V
60% ON	A	11.8V~12.3V	23.6V~24.6V
80% ON	Y	12.3V~12.7V	24.6V~25.3V
100% ON	G	12.7V~16.0V	25.3V~32.0V



* The specification subject to change without notice. The drawing is for reference only.