

## Product Datasheet



Products Family : Led Lighting Fixture  
Products Name : Led Pendant Light Lina

**Datasheet is valid for following Model numbers**

| Product Code | CCT  | Body Color |
|--------------|------|------------|
| BH16-09180   | 3IN1 | White      |
| BH16-09181   | 3IN1 | Black      |
| BH16-09186   | 3IN1 | Golden     |

Manufacturer:  
Demgrup international lighting limited  
unit d 16/f,one capital place,18 luard road  
wan chai, Hong Kong  
[www.demgrup.com.tr](http://www.demgrup.com.tr)

Importer / Company:  
Braytron S.R.L  
Bulevardul iuliu maniu,nr.616, corp B  
etaj 1 sector 6,061129 bucuresti, Romania  
[info@braytron.com](mailto:info@braytron.com) [www.braytron.com](http://www.braytron.com)

Test condition:light for 30 mins under nominal voltage input and 25°C±1°working environment

## General Characteristics

- Family : Led Lighting Fixture
- Sub Family : Led Pendant Light Lina
- Mounting Type : Pendant Mounting
- Lamp Shape : Non-Directional
- Dimmable : Not-Dimmable
- Light Source : LED
- Warranty : 3 years
- Class : Class I
- IP : IP20

## Lamp Characteristics

- Wattage : 35 w
- Color Temperatue : 3IN1
- Luminous Flux(whole Product) : 3060 lm
- Luminous Flux(LED System) : 3500 lm
- Color Rendering Index(CRI) : > 80
- Energy Efficiency Level : F
- Beam Angle : 120 Degree(s)
- Chromaticity(SDCM) : < 6

## Electrical Characteristics

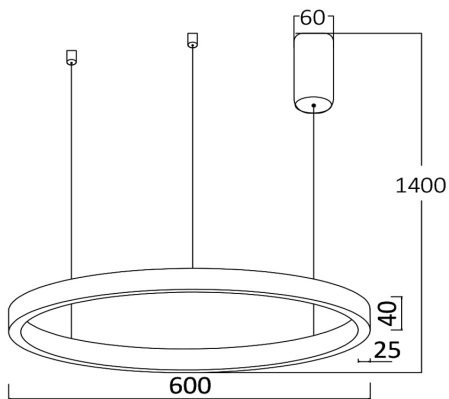
- Lifetime (L70B50) : 20000 h
- Input Voltage : 220-240V
- Frequency : 50-60 Hz
- Power Factor : > 0.9
- Starting Time : < 0.5 s
- Lumen Maintenance Factor : > 0.899
- Number of Switch Cycles : > 15000
- Material : Aluminium
- Working Temperature : -20°C~+45°C
- Storage Temperature : -20°C~+60°C
- Environment humidity(working) : 10%~65%

Test condition:light for 30 mins under nominal voltage input and 25°C±1°working environment

## Lamp Dimensions & Weight

|                |   |      |
|----------------|---|------|
| • Diameter(mm) | : | 600  |
| • Length(mm)   | : |      |
| • Width(mm)    | : |      |
| • Height(mm)   | : | 1400 |
| • Cutout(mm)   | : |      |
| • Weight(kg)   | : | 1,64 |

## Technical Drawing(s)



## Reliability requirements and Test Conditions

- **Lumen maintenance**

Lumen maintenance is not lower than 89.9% after lighting for 2.5h on and 0.5h off for one cycle.  
Total 1200 cycle and 3600h including 3000h on and 600h off.

- **Working life (L70B50)**

Under nominal voltage input, working life is forced not lower than 20000 h at 25°C±1°C

- **Remarks:**

Declared values above may vary ±5



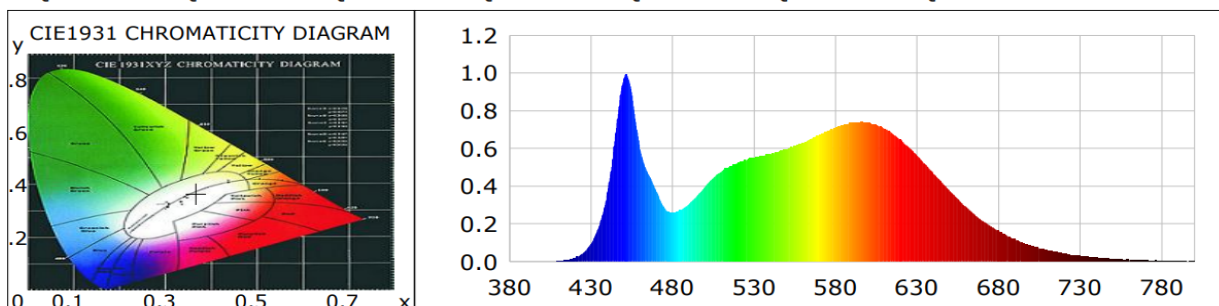
Test condition: light for 30 mins under nominal voltage input and 25°C±1° working environment

## Optical and electrical test parameter:

### CIE Colorimetric Parameters

Chromaticity coordinates:  $x=0.3679$   $y=0.3658$   $u(u')=0.2212$   $v=0.3298$   $v'=0.4948$   
 CCT:  $T_c=4288K$  ( $duv=-0.00135$ ) Color Ratio:  $R=0.180$   $G=0.778$   $B=0.042$   
 Peak Wavelength: 451.4nm Half Bandwidth: 21.1nm  
 Dominant Wavelength: 578.8nm Color Purity: 0.202  
 CRI:  $R_a=85.8$  TM30:  $R_f=85$ ,  $R_g=96$   
 GAI:  $GAI\_BB\_8=94.7$ ,  $GAI\_BB\_15=100.9$ ,  $GAI\_EES=78.7$

|  |        |        |        |        |        |        |        |
|--|--------|--------|--------|--------|--------|--------|--------|
| R1 =85   | R2 =92 | R3 =96 | R4 =85 | R5 =85 | R6 =88 | R7 =87 | R8 =69 |
| R9 =19   | R10=80 | R11=85 | R12=65 | R13=87 | R14=98 | R15=80 |        |
| Color Quality Scale: $Q_a=84.4$ , $Q_f=84.5$ , $Q_p=84.6$ , $Q_g=93.7$ |        |        |        |        |        |        |        |
| Q1 =83   | Q2 =98 | Q3 =81 | Q4 =78 | Q5 =83 | Q6 =86 | Q7 =88 | Q8 =90 |
| Q9 =98   | Q10=90 | Q11=87 | Q12=85 | Q13=85 | Q14=75 | Q15=78 |        |



### Photometric Parameters

Luminous Flux: 3442.2 lm Efficiency: 95.19 lm/W Radiant Power: 6.374 W  
 EEI: 0.24 Energy Efficiency Class: A (EU 874-2012)

### Electric Parameters

Voltage: 220.80V Current: 0.1690A Power: 36.16W  
 Power Factor: 0.9720 Frequency: 49.99Hz

## Darkroom Test report

