

## Product Datasheet



Products Family : Led Lighting Fixture  
Products Name : LED Pendant Light Bella

**Datasheet is valid for following Model numbers**

Product Code	CCT	Body Color
BH17-03980	3IN1	White
BH17-03981	3IN1	Black
BH17-03986	3IN1	Golden

Manufacturer:  
Demgrup international lighting limited  
unit d 16/f,one capital place,18 luard road  
wan chai, Hong Kong  
www.demgrup.com.tr

Importer / Company:  
Braytron S.R.L  
Bulevardul iuliu maniu,nr.616, corp B  
etaj 1 sector 6,061129 bucuresti, Romania  
info@braytron.com www.braytron.com

Test condition:light for 30 mins under nominal voltage input and 25°C±1°working environment

## General Characteristics

- Family : Led Lighting Fixture
- Sub Family : LED Pendant Light Bella
- Mounting Type : Pendant Mounting
- Lamp Shape : Non-Directional
- Dimmable : Not-Dimmable
- Light Source : LED
- Warranty : 3 years
- Class : Class I
- IP : IP20

## Lamp Characteristics

- Wattage : 46 w
- Color Temperatue : 3IN1
- Luminous Flux(whole Product) : 3920 lm
- Luminous Flux(LED System) : 5200 lm
- Color Rendering Index(CRI) : > 80
- Energy Efficiency Level : E
- Beam Angle : 120 Degree(s)
- Chromaticity(SDCM) : < 6

## Electrical Characteristics

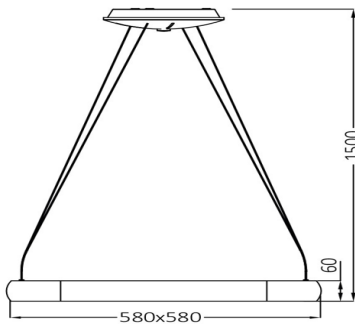
- Lifetime (L70B50) : 30000 h
- Input Voltage : 220-240V
- Frequency : 50-60 Hz
- Power Factor : > 0.9
- Starting Time : < 0.5 s
- Lumen Maintenance Factor : > 0.899
- Number of Switch Cycles : > 15000
- Material : Aluminium
- Working Temperature : -20°C~+45°C
- Storage Temperature : -20°C~+60°C
- Environment humidity(working) : 10%~65%

Test condition:light for 30 mins under nominal voltage input and 25°C±1°working environment

## Lamp Dimensions & Weight

- Diameter(mm) :
- Length(mm) : 580
- Width(mm) : 580
- Height(mm) : 1500
- Cutout(mm) :
- Weight(kg) : 3

## Technical Drawing(s)



## Reliability requirements and Test Conditions

- **Lumen maintenance**  
Lumen maintenance is not lower than 89.9% after lighting for 2.5h on and 0.5h off for one cycle.  
Total 1200 cycle and 3600h including 3000h on and 600h off.
- **Working life (L70B50)**  
Under nominal voltage input, working life is forced not lower than 30000 h at 25°C±1°C

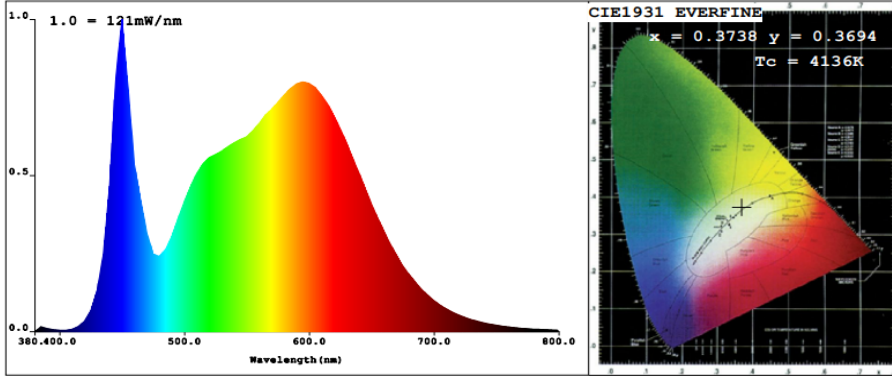
- **Remarks:**

Declared values above may vary ±5



Test condition:light for 30 mins under nominal voltage input and 25°C±1°working environment

## Optical and electrical test parameter:



### CIE Color Parameters:

Chromaticity Coordinate:  $x=0.3738$   $y=0.3694$   $u=0.2236$   $v=0.3315$  ( $duv=-1.46e-$   
 CCT:  $T_c = 4136K$  Prcp WaveL:  $\lambda_d=579.5nm$  Purity=23.0%  
 Peak WaveL:  $\lambda_p=450nm$  Half Width:  $\Delta\lambda_p=21.0nm$  Ratio: R=18.3% G=77.8% B=3.9%  
 Average Wave: 567nm  
 Rendering Index: Ra=85.4  
 R1 =84 R2 =91 R3 =95 R4 =85 R5 =85 R6 =87 R7 =87 R8 =68  
 R9 =17 R10=78 R11=86 R12=66 R13=86 R14=98 R15=79

### Photo Parameters:

Flux:  $\Phi = 5596.1$  (lm) Luminous Efficacy: 127.62 (lm/W) Luminous Power: P=17.32 (W)

### Electrical Parameters:

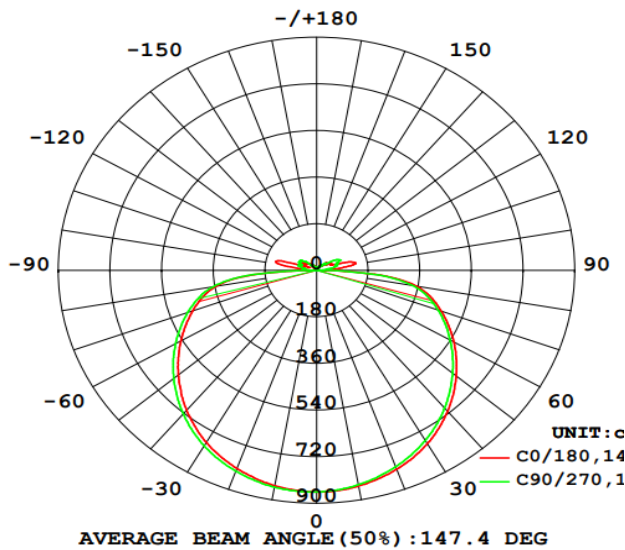
U=222.0V I=0.2027A P=43.85W PF=0.974

### Instrument Status:

Scan Range: 380.0nm-800.0nm Interval: 5.0nm  
 REF = 21935 % = -0.270%

Ip = 19671 (G=3, D=46)  
 TMP (PMT) = 22.8degrees centigrade

## Darkroom Test report



Flux out: 2887 lm

Height	Eavg, Emax	Angle: 147.21deg	Diameter
1m	75.57, 856.11x		679.75cm
2m	18.89, 214.01x		1359.50cm
3m	8.397, 95.131x		2039.25cm
4m	4.723, 53.511x		2718.99cm
5m	3.023, 34.251x		3398.74cm
6m	2.099, 23.781x		4078.49cm
7m	1.542, 17.471x		4758.24cm
8m	1.181, 13.381x		5437.99cm
9m	0.9330, 10.571x		6117.74cm
10m	0.7557, 8.5611x		6797.48cm