

Q125L series

Ø125mm LED Steady/ Flashing Signal Lights



Q125L



Q125LW

Wall mount type models allow for contained and tidy wiring with no exposed wires.



Common Specifications(Q125L/ Q125LW/ Q125LP)

- Standard-sized signal lights of Ø125mm with attractive appearance
- Shock and vibration-resistant, maintenance reduced with long-lasting energy-efficient LED light bulbs
- Selectable mounts available depending on your application environment (direct mount, wall mount, pole mount)
- Materials : Lens-PC, Housing-ABS, Wall mount bracket-PC
- Features high visibility by applying a special diffusive lens and direct LED light distribution system
- Built-in buzzer available (Volume : Max 80dB at 1m)
- Built-in switches for steady and flashing light function mode
- Flashing rate : 60-80 flashes/min
- Ambient operating temperature : -30°C to +50°C
- Protection rating : IP65
- Certificates : CE Compliant, UL Listed
- Compliant with RoHS directive

Model number	Voltage	Current	Certificates	Weight	Color
Q125L Q125LW Q125LP	DC12V-24V	Max 0.255A	DC only	<ul style="list-style-type: none"> • Q125L-0.34kg • Q125LW-0.76kg • Q125LP-1.28kg (Weight above include QZ24) 	<ul style="list-style-type: none"> • R-Red • A-Amber • G-Green • B-Blue
	AC110V-220V	Max 0.067A	DC only		

- ※ DC type model has a free-voltage range of 10V-30V.
- ※ AC type model has a free-voltage range of 100V-240V.



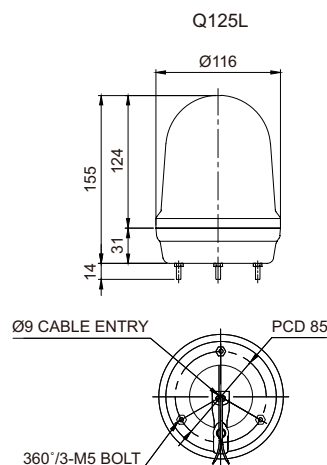
Q125L Direct Mount LED Steady/ Flashing Signal Light

- Direct mount type with the three bolts located on the bottom of the product



Technical Diagram

(Units : mm)



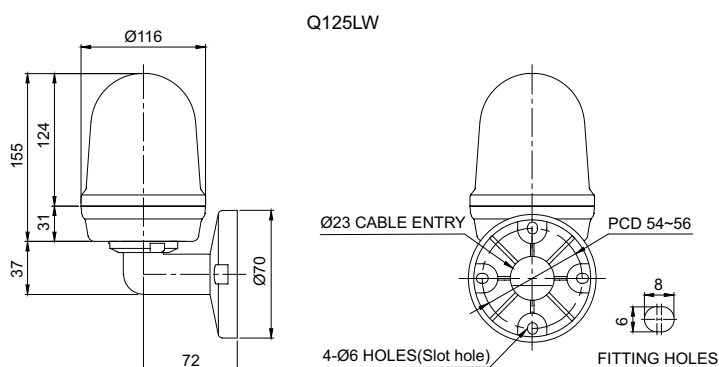
Q125LW Wall Mount LED Steady/ Flashing Signal Light

- Wall mount type with the bracket equipped



Technical Diagram

(Units : mm)



Q125L series

Ø125mm LED Steady/ Flashing Signal Lights



Q125LP

The picture for QZ24 equipped



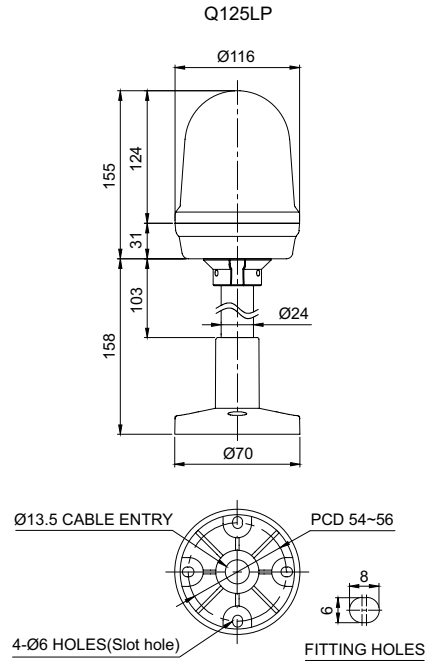
Q125LP Pole Mount LED Steady/ Flashing Signal Light

- Pole mount type
- Selectable mounting bracket available depending on the installation requirements



Technical Diagram

(Units : mm)



Wiring Instructions

- External power line standard : UL1015 AWG18(0.75sq)×2C 400mm
- Product can be wired regardless of polarity



Mounting Bracket

Standard	QZ24	SZ24	SL24	QLA24
Steel	PC	Al	Al	PC



※ Please refer to page32-37 for detailed dimension of mount bracket.



Customization

- Customized pole length available



Ordering Specification

Q125LP	-	BZ	-	12/24	-	R	-	QLA24
[Model number]		[Buzzer option]		[Voltage]		[Color]		[mount bracket]
<ul style="list-style-type: none"> • Q125L • Q125LW • Q125LP 		<ul style="list-style-type: none"> • None - No buzzer • BZ - Built-in buzzer 		<ul style="list-style-type: none"> • 12/24 -DC12V-24V • 110/220 -AC110V-220V 		<ul style="list-style-type: none"> • R-Red • A-Amber • G-Green • B-Blue 		<ul style="list-style-type: none"> • None - Standard • Bracket - QZ24 - SZ24 - SL24 - QLA24



QLA24 bracket allows for angle adjustment of 0, 45, 90 degrees by using of angle adjustment button without additional tools.

