

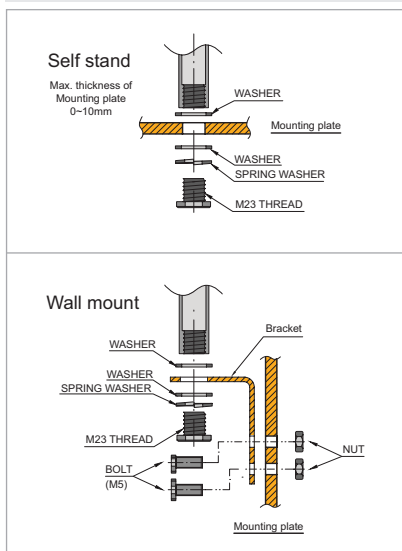
# STA25SLM

## Ø25mm Slim LED Tower Lights

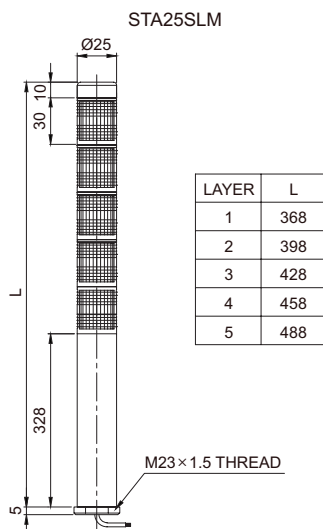


STA25SLM

### Mounting Instructions



### Technical Diagram (Units : mm)



## STA25SLM Ø25mm Direct Mount, LED Steady

- Ø25mm direct mount tower lights
- Aesthetically pleasing design with aluminum housing
- Excellent visibility by using a high brightness LED with a special diffusion lens
- Lens maintains a semi-transparent color when not emitting the specific color of the signal under operation.
- Steady mode only with fixed user selected color arrangement (can operate flashing mode with external contact)
- Materials : Lens-AS, Housing-Al
- Ambient operating temperature : -30°C to +50°C
- Protection rating : IP44

### Specifications

Model number	Layer	Voltage	Current	Certificates	Weight	Color
STA25SLM Steady	1	AC/DC12V AC/DC24V AC110V AC220V	0.080A 0.040A 0.020A 0.020A	-	0.19kg	• R-Red
	2	AC/DC12V AC/DC24V AC110V AC220V	0.160A 0.080A 0.040A 0.040A		0.21kg	• R-Red • G-Green
	3	AC/DC12V AC/DC24V AC110V AC220V	0.240A 0.120A 0.060A 0.060A		0.23kg	• R-Red • A-Amber • G-Green
	4	AC/DC12V AC/DC24V AC110V AC220V	0.320A 0.160A 0.080A 0.080A		0.24kg	• R-Red • A-Amber • G-Green • B-Blue
	5	AC/DC12V AC/DC24V AC110V AC220V	0.400A 0.200A 0.100A 0.100A		0.26kg	• R-Red • A-Amber • G-Green • B-Blue • W-White

### Wiring Instructions

- External power line and signal line standard : UL1007 AWG22(0.3sq) 400mm
- ※ Please refer to page 248 for detailed wiring instructions.

### Customization

- LED color lenses matching the signal available
- Wall mount bracket options : Used for mounting on the vertical surface



### Ordering Specification

<b>STA25SLM</b>	-	<b>3</b>	-	<b>220</b>	-	<b>RAG</b>
[Model number]		[Layer]		[Voltage]		[Color]
• STA25SLM		• 1-1Layer • 2-2Layers • 3-3Layers • 4-4Layers • 5-5Layers		• 12-DC12V • 24-DC24V • 110-AC110V • 220-AC220V		• R-Red • A-Amber • G-Green • B-Blue • W-White



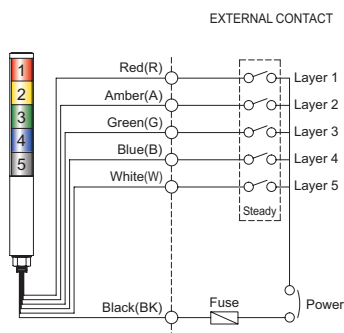


### Wiring Instructions

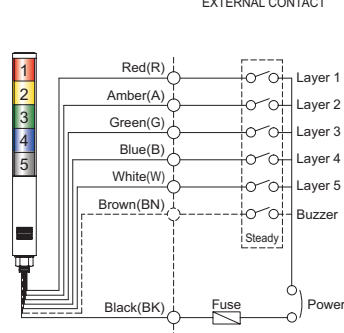
- STA25SLM, STA35SL, STA35SLM and STA45SLM can be wired by using both external contact and transistor.
- In case of wiring by transistor, please make sure if it is NPN type or PNP type. Please carefully follow wiring instructions below.

#### External Contact

STA25SLM-DC/AC  
STA35SL/ STA35SLM-DC/AC



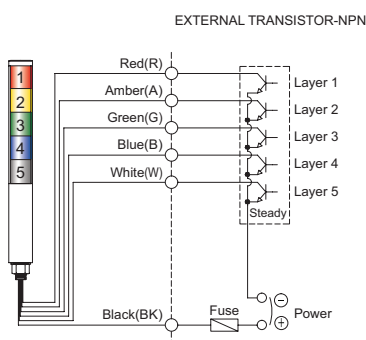
STA45SLM/ STA45SLMP-DC/AC



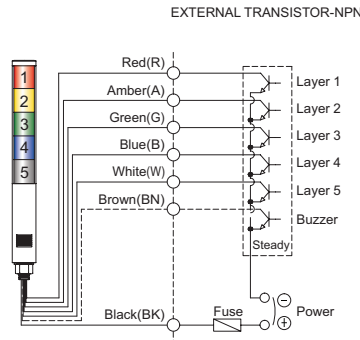
#### Transistor

##### NPN-Transistor

STA25SLM-DC  
STA35SL/ STA35SLM-DC

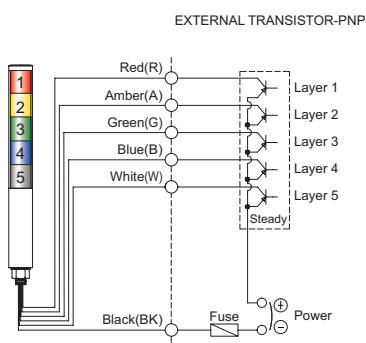


STA45SLM/ STA45SLMP-DC

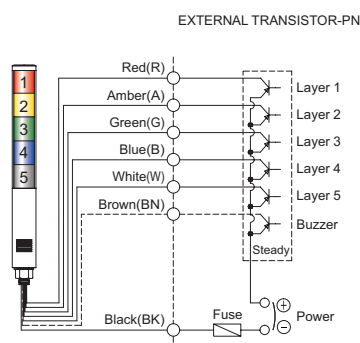


##### PNP-Transistor

STA25SLM-DC  
STA35SL/ STA35SLM-DC



STA45SLM/ STA45SLMP-DC



### Wiring Instructions

- External power line and signal line standard :  
UL1007 AWG22(0.3sq) 400mm

### Transistor Rating

Type	NPN or PNP
Withstanding voltage	$V_c \geq 35V$
Current	$I_c \geq 300mA$
Leakage current	$0.1mA \geq I_L$