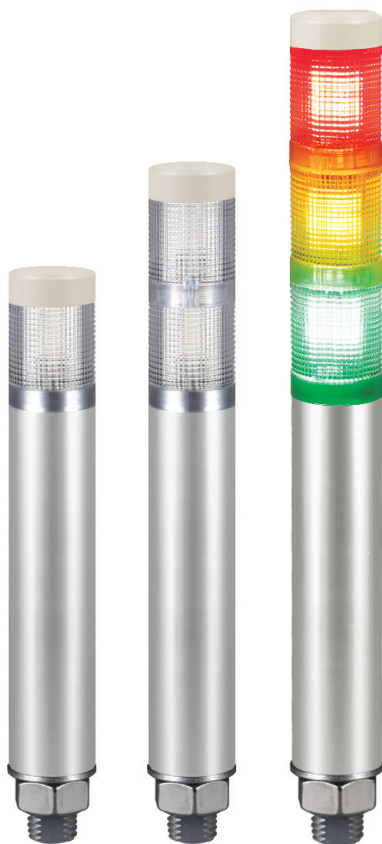
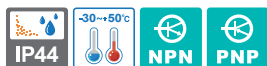


STA35SLM

Ø35mm Slim LED Tower Lights



STA35SLM

⚡ STA35SLM Ø35mm Direct Mount LED Steady Tower Lights

- Ø35mm direct mount tower lights
- Aesthetically pleasing design with aluminum housing
- Fixed layer designs provides superior durability
- Excellent visibility by using a high brightness LED with a special diffusion lens
- Lens maintains a semi-transparent color when not emitting the specific color of the signal under operation.
- Steady mode only (can operate flashing mode with external control) with fixed user selected color arrangement
- Easy mounting with the bolts/ screws located at the bottom of the product
- Materials : Lens-AS, Housing-AI
- Ambient operating temperature : -30°C to +50°C
- Protection rating : IP44

💡 Specifications

Model number	Layer	Voltage	Current	Certificates	Weight	Color
STA35SLM Steady	1	DC12V DC24V	0.160A 0.080A	-	2.85kg	● R-Red
	2	DC12V DC24V	0.320A 0.160A		3.04kg	● R-Red ● G-Green
	3	DC12V DC24V	0.480A 0.240A		3.17kg	● R-Red ● A-Amber ● G-Green
	4	DC12V DC24V	0.640A 0.320A		3.43kg	● R-Red ● A-Amber ● G-Green ● B-Blue
	5	DC12V DC24V	0.800A 0.400A		3.58kg	● R-Red ● A-Amber ● G-Green ● B-Blue ● W-White

🔌 Wiring Instructions

- External power line and signal line standard : UL1007 AWG22(0.3sq) 400mm
- ※ Please refer to page 248 for detailed wiring instructions.

📄 Customization

- Wall mount bracket options : Used for mounting on the vertical surface

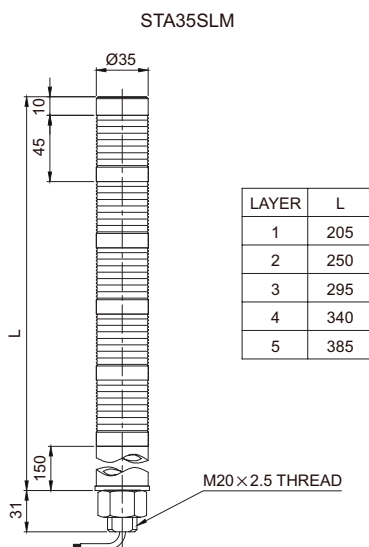


Wall Mount Bracket
STAWB25

📦 Ordering Specification

STA35SLM	-	3	-	220	-	RAG
[Model number]		[Layer]		[Voltage]		[Color]
• STA35SLM		• 1-1Layer • 2-2Layers • 3-3Layers • 4-4Layers • 5-5Layers		• 12-DC12V • 24-DC24V		● R-Red ● A-Amber ● G-Green ● B-Blue ● W-White

📐 Technical Diagram (Units : mm)



Warning/
Signal/
Stackable



Signal &
Electric Horn/
Speakers



Vessels and
Heavy-Duty
Equipment



Explosion
Proof



Warning
Light Bar



Aviation
Obstruction
Lights



Signal Tower
Lights



USB/ETN
Signal Tower
Lights



Electric Horn/
Speakers



Industrial
LED Lights

STA series

Slim LED Tower Lights

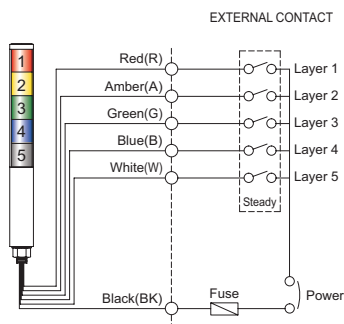


Wiring Instructions

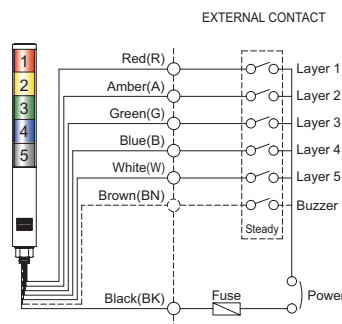
- STA25SLM, STA35SL, STA35SLM and STA45SLM can be wired by using both external contact and transistor.
- In case of wiring by transistor, please make sure if it is NPN type or PNP type. Please carefully follow wiring instructions below.

External Contact

STA25SLM-DC/AC
STA35SL/ STA35SLM-DC



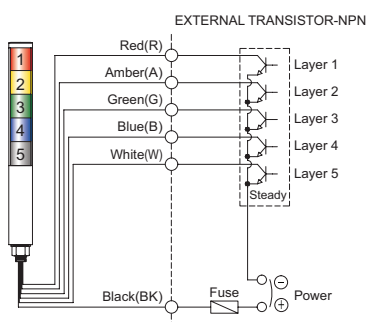
STA45SLM/ STA45SLMP-DC



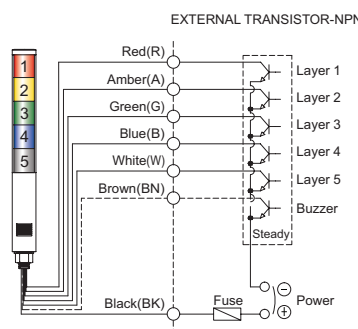
Transistor

NPN-Transistor

STA25SLM-DC
STA35SL/ STA35SLM-DC

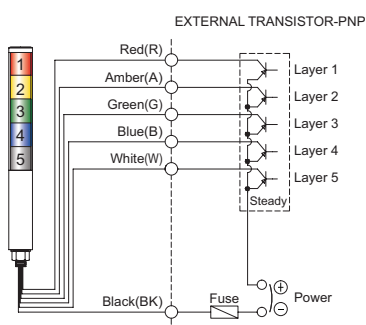


STA45SLM/ STA45SLMP-DC

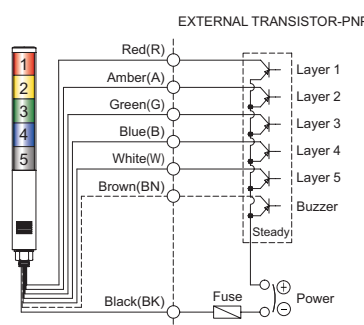


PNP-Transistor

STA25SLM-DC
STA35SL/ STA35SLM-DC



STA45SLM/ STA45SLMP-DC



Wiring Instructions

- External power line and signal line standard : UL1007 AWG22(0.3sq) 400mm

Transistor Rating

Type	NPN or PNP
Withstanding voltage	$V_c \geq 35V$
Current	$I_c \geq 300mA$
Leakage current	$0.1mA \geq I_L$