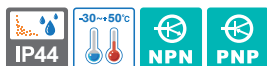


# STA35SL

## Ø35mm Slim LED Tower Lights



STA35SL

### STA35SL Ø35mm Direct Mount LED Steady Tower Lights

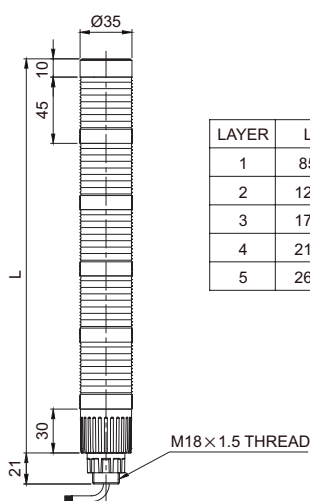
- Ø35mm direct mount tower lights
- Excellent visibility by using a high brightness LED with a special diffusion lens
- Lens maintains a semi-transparent color when not emitting the specific color of the signal under operation.
- Steady mode only (can operate flashing mode with external control) with fixed user selected color arrangement
- Easy mounting with the bolts/ screws located at the bottom of the product
- Materials : Lens-AS, Housing-ABS
- Ambient operating temperature : -30°C to +50°C
- Protection rating : IP44

### Specifications

Model number	Layer	Voltage	Current	Certificates	Weight	Color
STA35SL Steady	1	DC12V DC24V	0.160A 0.080A	-	0.60kg	• R-Red
	2	DC12V DC24V	0.320A 0.160A		0.85kg	• R-Red • G-Green
	3	DC12V DC24V	0.480A 0.240A		1.05kg	• R-Red • A-Amber • G-Green
	4	DC12V DC24V	0.640A 0.320A		1.30kg	• R-Red • A-Amber • G-Green • B-Blue
	5	DC12V DC24V	0.800A 0.400A		1.53kg	• R-Red • A-Amber • G-Green • B-Blue • W-White

### Technical Diagram (Units : mm)

STA35SL



### Wiring Instructions

- External power line and signal line standard : UL1007 AWG22(0.3sq) 400mm
- ※ Please refer to page 248 for detailed wiring instructions.

### Customization

- Wall mount bracket options : Used for mounting on the vertical surface



### Ordering Specification

<b>STA35SL</b>	-	<b>3</b>	-	<b>220</b>	-	<b>RAG</b>
[Model number]		[Layer]		[Voltage]		[Color]
• STA35SL		• 1-1Layer • 2-2Layers • 3-3Layers • 4-4Layers • 5-5Layers		• 12-DC12V • 24-DC24V		• R-Red • A-Amber • G-Green • B-Blue • W-White

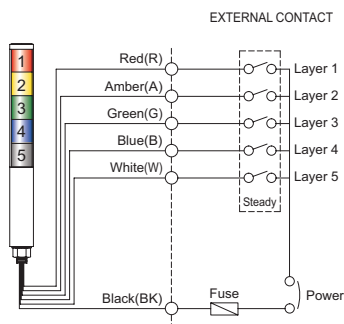


### Wiring Instructions

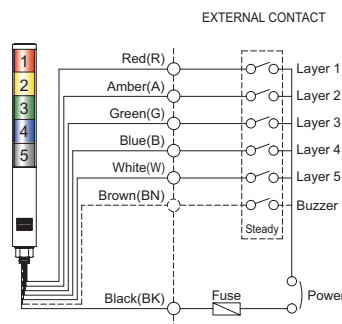
- STA25SLM, STA35SL, STA35SLM and STA45SLM can be wired by using both external contact and transistor.
- In case of wiring by transistor, please make sure if it is NPN type or PNP type. Please carefully follow wiring instructions below.

#### External Contact

STA25SLM-DC/AC  
STA35SL/ STA35SLM-DC



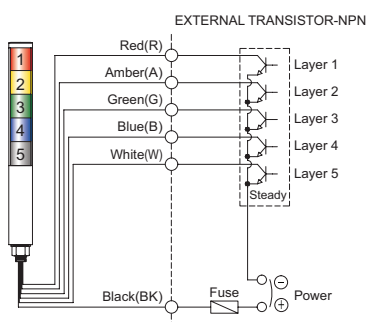
STA45SLM/ STA45SLMP-DC



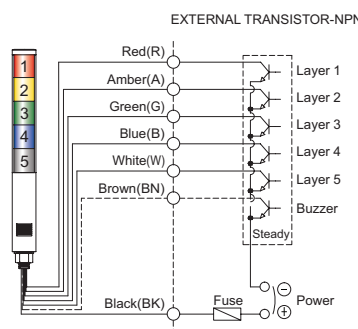
#### Transistor

##### NPN-Transistor

STA25SLM-DC  
STA35SL/ STA35SLM-DC

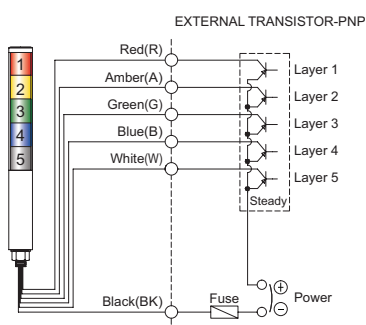


STA45SLM/ STA45SLMP-DC

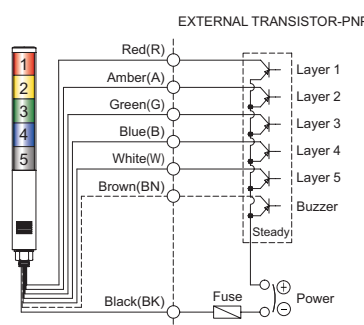


##### PNP-Transistor

STA25SLM-DC  
STA35SL/ STA35SLM-DC



STA45SLM/ STA45SLMP-DC



### Wiring Instructions

- External power line and signal line standard : UL1007 AWG22(0.3sq) 400mm

### Transistor Rating

Type	NPN or PNP
Withstanding voltage	$V_c \geq 35V$
Current	$I_c \geq 300mA$
Leakage current	$0.1mA \geq I_L$