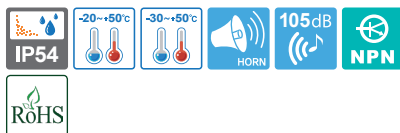


# S100D series



**Various built-in sound tones of warning sounds, alarms and melodies**



**S100DLR**



**S100DL/ S100DS**



**S100D**

## Signal/ Warning Light and Electric Horn Combinations

### Common Specifications(S100DLR/ S100DL/ S100DS/ S100D)

- Ø100mm signal/warning lights and electric horn combination provides both audible and visual signaling capability in one unit
- Can select the proper signaling effect from a variety of light sources and sound tones
- Materials : Lens-AS, Housing-ABS, Reflector-Heat resistant ABS
- Protection rating : IP54
- Compliant with RoHS directive (S100DLR/ S100DL)

### S100DLR LED Revolving Light & Electric Horn

- Revolving speed : 120-140RPM
- Ambient operating temperature : -20°C to +50°C

Model number	Voltage	Current	Sound Pattern and Volume	Certificates	Weight	Color
S100DLR	DC12V	0.483A	<ul style="list-style-type: none"> <li>• WS-5 Warning sounds : 105dB</li> <li>• WM-5 Melodies : 105dB</li> <li>• WA-5 Alarms : 103dB</li> <li>• WV-5 Customizable sounds : 95dB</li> </ul>	-	0.89kg	<ul style="list-style-type: none"> <li>• R-Red</li> <li>• A-Amber</li> <li>• G-Green</li> <li>• B-Blue</li> </ul>
	DC24V	0.327A			0.89kg	
	AC110V	0.120A			1.27kg	
	AC220V	0.060A			1.27kg	

### S100DL LED Steady/Flashing Light & Electric Horn

- Flashing rate : 60-80 flashes/min  
(Built-in switch for selection between steady and flashing mode)
- Ambient operating temperature : -30°C to +50°C
- Certificates : CE Compliant

Model number	Voltage	Current	Sound Pattern and Volume	Certificates	Weight	Color
S100DL	DC12V	0.411A	<ul style="list-style-type: none"> <li>• WS-5 Warning sounds : 105dB</li> <li>• WM-5 Melodies : 105dB</li> <li>• WA-5 Alarms : 103dB</li> <li>• WV-5 Customizable sounds : 95dB</li> </ul>	CE	0.95kg	<ul style="list-style-type: none"> <li>• R-Red</li> <li>• A-Amber</li> <li>• G-Green</li> <li>• B-Blue</li> </ul>
	DC24V	0.315A			0.95kg	
	AC110V	0.114A			1.16kg	
	AC220V	0.057A			1.16kg	

### S100DS Xenon Lamp Strobe Light & Electric Horn

- Flashing rate : 60-80 flashes/min
- Ambient operating temperature : -30°C to +50°C

Model number	Voltage	Current	Sound Pattern and Volume	Certificates	Weight	Bulb	Color
S100DS	DC12V	1.331A	<ul style="list-style-type: none"> <li>• WS-5 Warning sounds : 105dB</li> <li>• WM-5 Melodies : 105dB</li> <li>• WA-5 Alarms : 103dB</li> <li>• WV-5 Customizable sounds : 95dB</li> </ul>	-	0.76kg	48	<ul style="list-style-type: none"> <li>• R-Red</li> <li>• A-Amber</li> <li>• G-Green</li> <li>• B-Blue</li> </ul>
	DC24V	0.899A			0.76kg		
	AC110V	0.231A			1.21kg		
	AC220V	0.155A			1.21kg		

### S100D Bulb Revolving Light & Electric Horn

- Revolving Speed : 120-140RPM
- Ambient operating temperature : -20°C to +50°C
- Certificates : CE Compliant

Model number	Voltage	Current	Bulb			Sound Pattern and Volume	Certificates	Weight	Color
			Spec	Standard	Parts no				
S100D	DC12V	1.266A	12V10W	T16x35 15S	9	<ul style="list-style-type: none"> <li>• WS-5 Warning sounds : 105dB</li> <li>• WM-5 Melodies : 105dB</li> <li>• WA-5 Alarms : 103dB</li> <li>• WV-5 Customizable sounds : 95dB</li> </ul>	CE DC24V only	0.96kg	<ul style="list-style-type: none"> <li>• R-Red</li> <li>• A-Amber</li> <li>• G-Green</li> <li>• B-Blue</li> </ul>
	DC24V	0.766A	24V10W	T16x35 15S	10			0.96kg	
	AC110V	0.187A	12V10W	T16x35 15S	9			1.38kg	
	AC220V	0.094A	12V10W	T16x35 15S	9			1.38kg	

※ Please refer to Page24 for detailed specification of sound tones.



Warning/Signal/Stackable



Signal & Electric Horn/Speakers



Vessels and Heavy-Duty Equipment



Explosion Proof



Warning Light Bar



Aviation Obstruction Lights



Signal Tower Lights



USB/ETN Signal Tower Lights



Wireless Network System



Electric Horn/Speakers



Industrial LED Lights

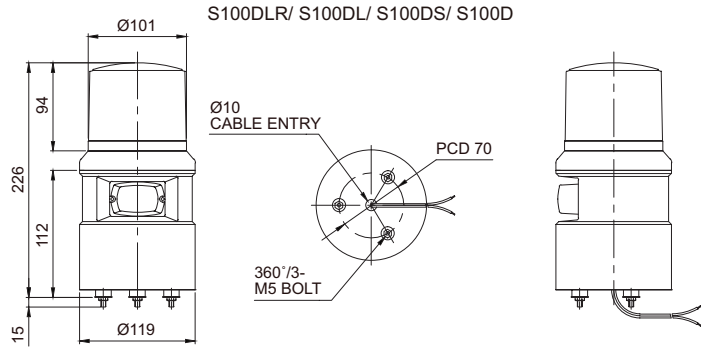
# S100D series

## Signal/ Warning Light and Electric Horn Combinations



### Technical Diagram

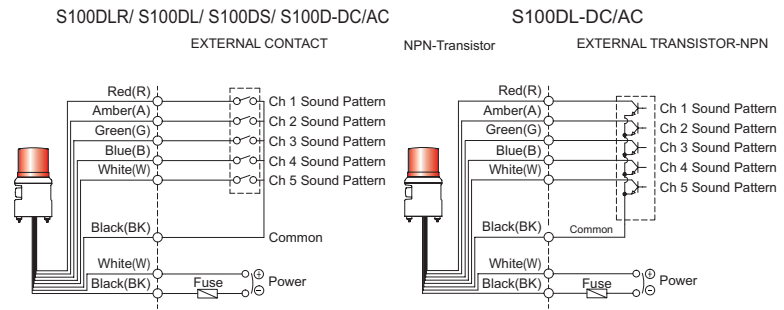
(Units : mm)



- S100D series come with prerecorded sounds.
- For WV(5Customized sounds)type, Input audio message needs to be provide by the customer prior to manufacturing.
- S100DL model wiring can be done with either external transistor wiring.
- In case of wiring by using transistor, NPN transistor is needed and follow the wiring diagram on the right in order to wire properly.



### Wiring Instructions



- External power line standard : UL1015 AWG18(0.75sq)×2C 400mm
- External signal line standard : UL1007 AWG22(0.3sq) 400mm
- DC type : Black output line is negative(-)



Do not apply voltage to each signal line. It may cause damage to the product.  
By default the warning light is turned on when the power is supplied, the voice/ alarm output is powered on by a separate connection. Please wire properly.



### Ordering Specification

S100D	-	WA	-	220	-	R
[Model number]		[Sound]		[Voltage]		[Color]
<ul style="list-style-type: none"> <li>• S100DLR</li> <li>• S100DL</li> <li>• S100DS</li> <li>• S100D</li> </ul>		<ul style="list-style-type: none"> <li>• WS-Warning</li> <li>• WM-Melody</li> <li>• WA-Alarm</li> <li>• WV-Customizable sound</li> </ul>		<ul style="list-style-type: none"> <li>• 12-DC12V</li> <li>• 24-DC24V</li> <li>• 110-AC110V</li> <li>• 220-AC220V</li> </ul>		<ul style="list-style-type: none"> <li>• R-Red</li> <li>• A-Amber</li> <li>• G-Green</li> <li>• B-Blue</li> </ul>



S100D applied to a metallic mold machine.