

QWTD series

Wall Mount LED Signal Towers with Built-in Siren



Wall mount signal tower with built-in audible alarm is now available!

- **WS (5 Warning sounds)**
- **WP (5 Special warning sounds)**
- **WM (5 Melodies)**
- **WA (5 Alarms)**



QWTD series



QWTD Speaker

QWTD embedded speaker design minimizes risk of contamination from debris while providing efficient sound output.

QWTD Ø70mm Wall Mount LED Steady/Flashing Signal Towers

- Wall mount model that minimizes the chance of damage from moving obstacles or personnel
- Superior side visibility with round-shaped lens
- 5 selectable sound pattern combinations(5 warning sounds, 5 special warning sounds, 5 melodies, 5 alarms)
- Selectable between steady/flashing mode with proper wire arrangement
- Standard color arrangements
 - 1 Layer : ● Red
 - 2 Layers : ● Red ● Green
 - 3 Layers : ● Red ● Amber ● Green
 - 4 Layers : ● Red ● Amber ● Green ● Blue
 - 5 Layers : ● Red ● Amber ● Green ● Blue ● Clear White
- Available for customized color arrangements
- Built-in siren sound volume (Max 85dB at 1m)
- Materials : Lens-PC, Cover-ABS, Case-ABS
- Ambient operating temperature : -30°C to +50°C
- Protection rating : IP54
- Certificates : CE Compliant
- Compliant with RoHS directive

Specifications

Model number	Layer	Voltage	Current	Certificates	Weight	Color
QWTDL Steady QWTDLF Steady/ Flashing	1	AC/DC12V	0.065A	CE DC Only	0.14kg	● R-Red
		AC/DC24V	0.050A		0.14kg	
		AC110V-220V	Max 0.025A		0.27kg	
	2	AC/DC12V	0.130A		0.18kg	● R-Red ● G-Green
		AC/DC24V	0.050A		0.18kg	
		AC110V-220V	Max 0.050A		0.32kg	
	3	AC/DC12V	0.195A		0.23kg	● R-Red ● A-Amber ● G-Green
		AC/DC24V	0.150A		0.23kg	
		AC110V-220V	Max 0.075A		0.36kg	
	4	AC/DC12V	0.260A		0.27kg	● R-Red ● A-Amber ● G-Green ● B-Blue
		AC/DC24V	0.200A		0.27kg	
		AC110V-220V	Max 0.100A		0.41kg	
	5	AC/DC12V	0.325A		0.32kg	● R-Red ● A-Amber ● G-Green ● B-Blue ● W-White
		AC/DC24V	0.250A		0.32kg	
		AC110V-220V	Max 0.125A		0.45kg	

- QWTD-WS** 5 Pre-Recorded Warning Sounds
- QWTD-WP** 5 Pre-Recorded Special Warning Sounds
- QWTD-WM** 5 Pre-Recorded Melodies
- QWTD-WA** 5 pre-Recorded Alarms

- ※ AC type model has a free-voltage range of 100V-240V.
- ※ Please refer to page 22 for detailed information about selectable sound patterns.

Signal/Audible Line Power Consumption (per each layer)

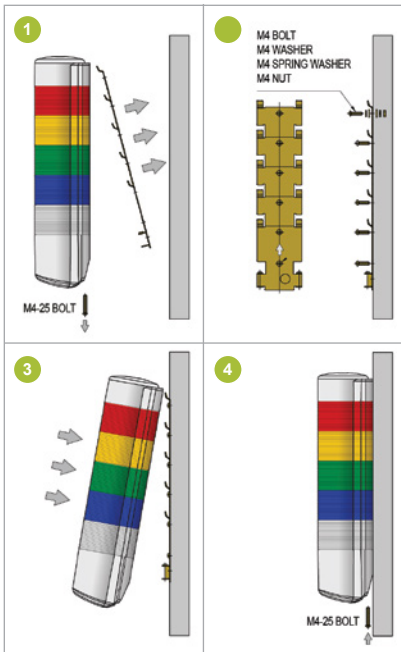
Voltage Rating	AC/DC12V	AC/DC24V	AC110V-220V
Signal Line Power Current	0.040A	0.040A	Max 0.024A
Audible Line Power Current	0.300A	0.160A	Max 0.031A

- ※ You can even rearrange the pre-assembled LED color arrangements after installation.

QWTD series

Wall Mount LED Signal Towers with Built-in Siren

How to mount

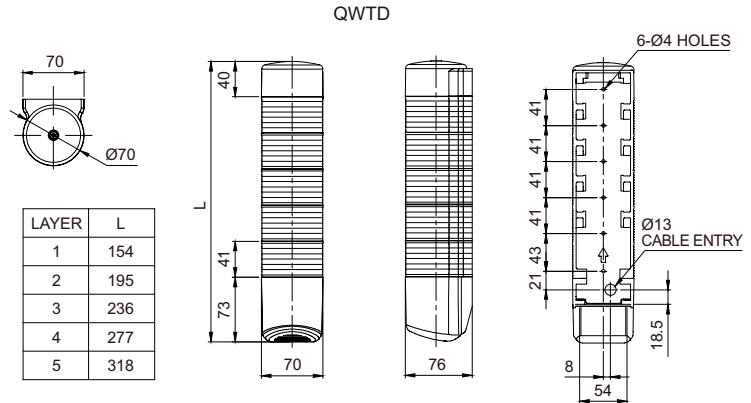


- 1 Dismantle body and mount by loosening two M4 bolts at the bottom of the lamp
- 2 Put the mounting bracket on the mounting hole
- 3 Hang the lamp on the mount
- 4 Fasten two M4 bolts at the bottom of the lamp after completing installation on the mount

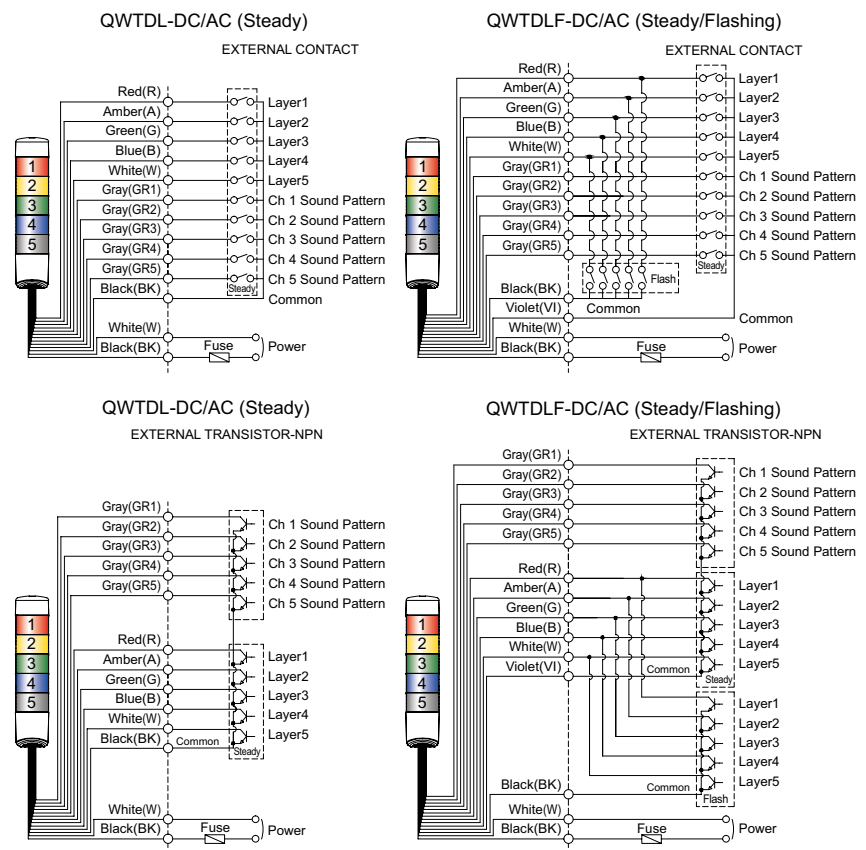


Technical Diagram

(Units : mm)



Wiring Instructions



- Wiring both external power line and transistor
- QWTD allows steady/flash mode by wiring
- External power line standard, UL1015 AWG18(0.75sq)×2C 400mm
- Signal line standard, UL1007 AWG22(0.3sq) 400mm
- Product can be wired regardless of polarity



Customization

- Special color combinations



Ordering Specification

QWTDL	WS	3	110/220	RAG
[Model number]	[Sounds]	[Layers]	[Voltage]	[Color]
<ul style="list-style-type: none"> • QWTDL • QWTDLF 	<ul style="list-style-type: none"> • WS-Warning sound • WP-Special warning sound • WM-Melody • WA-Alarm 	<ul style="list-style-type: none"> • 1-1Layer • 2-2Layers • 3-3Layers • 4-4Layers • 5-5Layers 	<ul style="list-style-type: none"> • 12-DC12V • 24-DC24V • 110/220 • -AC110V-220V 	<ul style="list-style-type: none"> • R-Red • A-Amber • G-Green • B-Blue • W-White



Warning/Signal/Stackable



Signal & Electric Horn/Speakers



Vessels and Heavy-Duty Equipment



Explosion Proof



Warning Light Bar



Aviation Obstruction Lights



Signal Tower Lights



USB/ETN Signal Tower Lights



Electric Horn/Speakers



Industrial LED Lights