

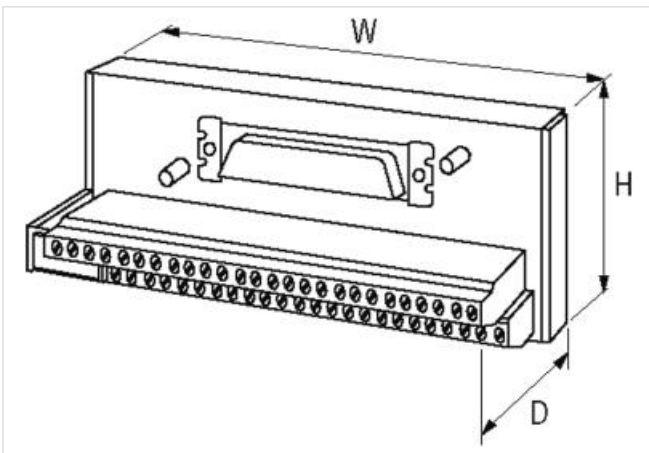
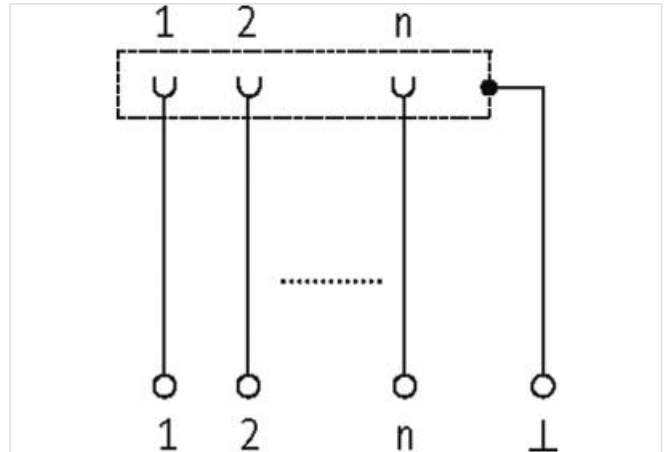
## SV-SUB D 37ST.-KL FOR SIGNAL TRANSFER

125 VAC/DC / 2 A

Male connector  
37-pole  
Screw terminals

[Link to Product](#)

### Illustration



Product may differ from Image



### Commercial data

ECLASS-6.0	27143424
ECLASS-6.1	27260708
ECLASS-7.0	27141152
ECLASS-8.0	27141152
ECLASS-9.0	27141152
ECLASS-10.1	27141152

ECLASS-11.1	27141152
ECLASS-12.0	27141152
ETIM-5.0	EC001283
customs tariff number	85366990
GTIN	4048879026512
Packaging unit	1
<b>Electrical data   Supply</b>	
Operating voltage AC	125 V
Operating voltage DC	150 V
Operating current max.	2 A
<b>Device protection   Electrical</b>	
Overvoltage category (EN 60664-1)	II
<b>Mechanical data   Mounting data</b>	
Mounting method	geschnappt
Suitable for mounting type	mounting rail, (EN 60715)
Height	63 mm
Width	75 mm
Depth	58 mm
Looking techniques	Standard UNC 4-40 screw thread bolt (EN 60807)
<b>Environmental characteristics   Climatic</b>	
Operating temperature min.	-20 °C
Operating temperature max.	70 °C