

MOTOR SUPPRESSOR

RC, 3x400VAC/4kW

3× 400 V AC

RC

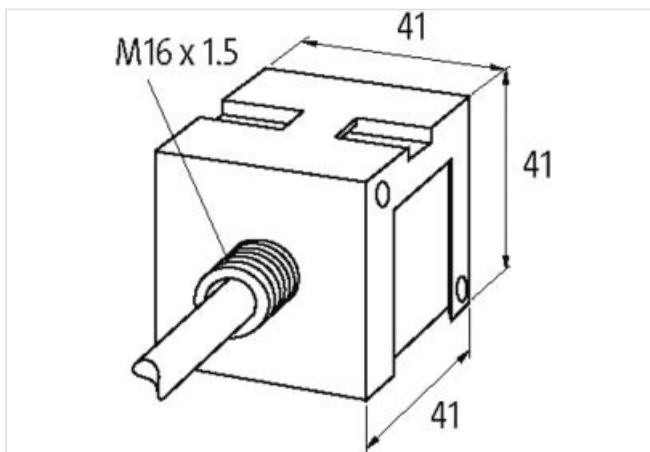
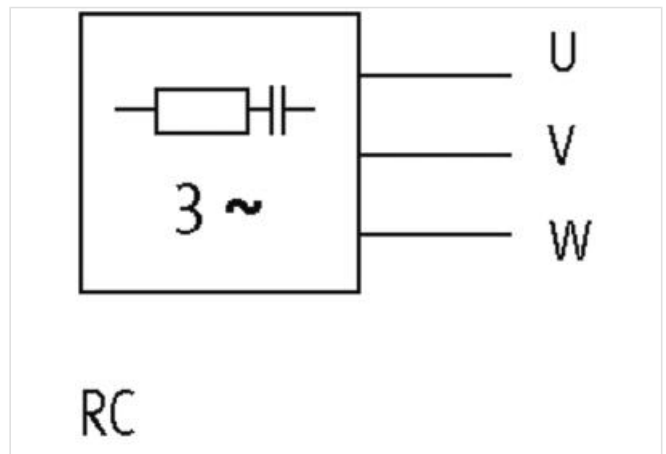
PG9

Suppressors for other voltages, frequencies, and motor ratings available on request. Do not use RC motor suppressors with frequency inverters.

For DIN-rail mounting use 2×Art.-No. 20900 adapter feet
approx. 500 mm, PVC cable 3× 0.75 mm²

[Link to Product](#)

Illustration



Product may differ from Image



Commercial data

ECLASS-6.0	27371013
ECLASS-6.1	27371013
ECLASS-7.0	27371013

ECLASS-8.0	27371013
ECLASS-9.0	27371013
ECLASS-10.1	27371013
ECLASS-11.1	27371013
ECLASS-12.0	27371013
ETIM-5.0	EC000197
customs tariff number	85363010
GTIN	4048879019514
Packaging unit	1

Electrical data | Supply

Power frequency	50 ... 60 Hz
-----------------	--------------

Electrical data | Input

Input voltage AC	400 V
------------------	-------

Installation

Connection cross section max.	0,75 mm ²
-------------------------------	----------------------

Installation | Connection

Family construction form	free cable end
--------------------------	----------------

Installation | Pin assignment

No. of poles	3
--------------	---

Device protection | Media

Flame resistance	flame retardant
------------------	-----------------

Mechanical data | Material data

Combustibility class housing (UL94)	V-0
Material housing	Plastic
Material potting compound	2-component epoxy

Mechanical data | Mounting data

Mounting method	geschnappt
Suitable for mounting type	Mounting rail TH35, (EN 60715)
Height	41 mm
Width	41 mm
Depth	41 mm

Environmental characteristics | Climatic

Operating temperature min.	-20 °C
Operating temperature max.	60 °C