

MOTOR SUPPRESSOR

Varistor, 3x400VAC/4kW

3x 400 V AC

VDR

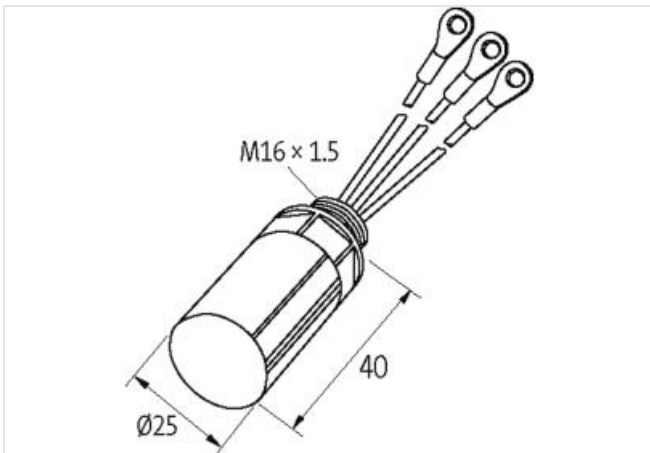
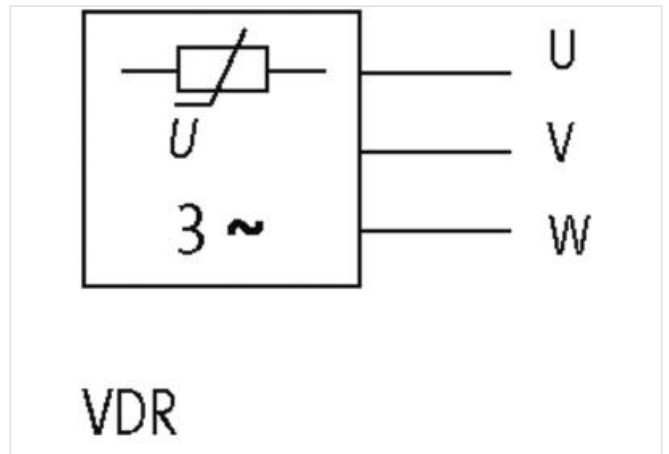
isolated M6

PG9

Suppressors for other voltages, frequencies, and motor ratings available on request. Do not use RC motor suppressors with frequency inverters.

Link to Product

Illustration



Product may differ from Image



Commercial data

ECLASS-6.0	27371013
ECLASS-6.1	27371013
ECLASS-7.0	27371013
ECLASS-8.0	27371013

ECLASS-9.0	27371013
ECLASS-10.1	27371013
ECLASS-11.1	27371013
ECLASS-12.0	27371013
ETIM-5.0	EC000197
customs tariff number	85363010
GTIN	4048879019316
Packaging unit	1

Electrical data | Supply

Power frequency	10 ... 400 Hz
-----------------	---------------

Electrical data | Input

Input voltage AC	400 V
------------------	-------

Installation

Connection cross section max.	0,5 mm ²
-------------------------------	---------------------

Installation | Connection

Connection information	Single strands
Length single strands	100 mm
Ring terminals	M6isolated

Device protection | Media

Flame resistance	flame retardant
------------------	-----------------

Mechanical data | Material data

Combustibility class housing (UL94)	V-0
Material housing	Plastic
Material potting compound	2-component epoxy

Mechanical data | Mounting data

Mounting method	inserted
Suitable for mounting type	Motorklemmkasten
Height	25 mm
Width	25 mm
Depth	40 mm

Environmental characteristics | Climatic

Operating temperature min.	-20 °C
Operating temperature max.	60 °C