

**MIRO 6.2 24VDC-1U INPUT RELAY**

IN: 24 VDC - OUT: 250 VAC/DC / 6 A

1 NO/NC contact

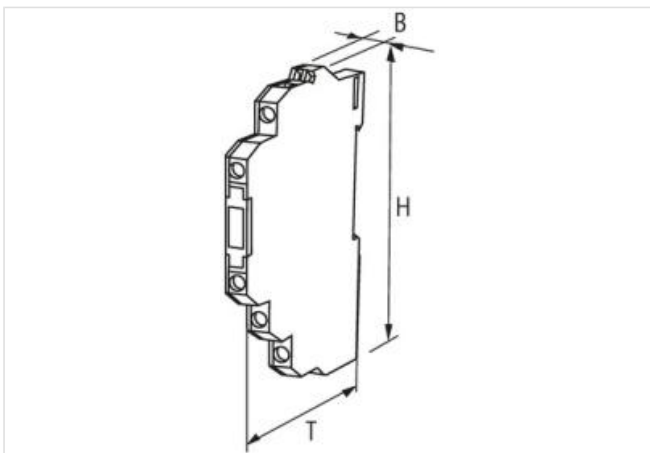
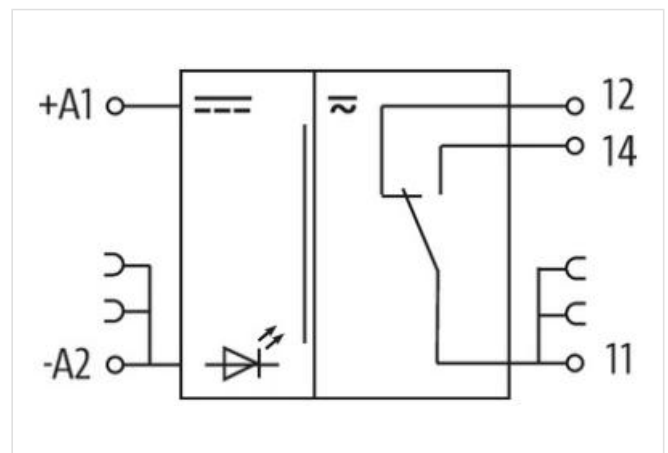
6 A

24 V DC

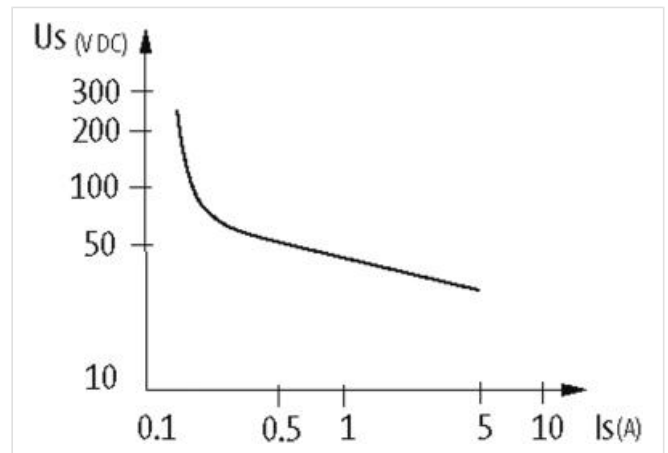
Screw terminals

When the max. switching voltage/current is exceeded the gold plating is destroyed. The relay will then take on the properties of an output type.

safe separation (EN 60947-1)

[Link to Product](#)**Illustration**

Product may differ from Image

**Commercial data**

ECLASS-6.0	27371001
ECLASS-6.1	27371601
ECLASS-7.0	27371601

ECLASS-8.0	27371601
ECLASS-9.0	27371601
ECLASS-10.1	27371601
ECLASS-11.1	27371601
ECLASS-12.0	27371601
ETIM-5.0	EC001437
customs tariff number	85364900
GTIN	4048879027267
Packaging unit	1

**Electrical data | Input**

Input voltage DC	24 V
Input voltage DC min.	19,2 V
Input voltage DC max.	30 V
Input current	14 mA

**Electrical data | Output**

Utilization category AC-12 (EN IEC 60947-5-1)	6 A @ 24, 6 A @ 110 V, 6 A @ 230 V
Utilization category AC-15 (EN IEC 60947-5-1)	3 A @ 24 V, 3 A @ 110 V, 3 A @ 230 V
Utilization category DC-13 (EN IEC 60947-5-1)	1 A @ 24 V, 0,2 A @ 110 V, 0,1 A @ 230 V
Switching frequency max.	10 Hz
Power rating AC max.	1500 VA
Power rating DC max.	120 W
Switching voltage AC max.	250 V
Switching voltage DC max.	250 V
Switching current DC	1 mA
Switching current per signal output max.	20 mA
Switching current max.	6 A

**Diagnostics**

Status indication LED	yellow
-----------------------	--------

**Device protection**

Condition lifetime	load-dependent
--------------------	----------------

**Device protection | Electrical**

Rated surge voltage	4 kV
Electrical lifetime	20000000 Cycles

**Device protection | Mechanical**

Mechanical endurance	20000000 Cycles
----------------------	-----------------

**Mechanical data**

Drop-out time max.	15 ms
Response time max.	10 ms
Bounce time max.	1,5 ms

**Mechanical data | Material data**

Material contact	Ag Sn O2 hv
------------------	-------------

**Mechanical data | Mounting data**

Mounting method	geschnappt
Suitable for mounting type	mounting rail, (EN 60715)
Height	91 mm
Width	6,2 mm
Depth	71 mm

**Environmental characteristics | Climatic**

Operating temperature min.	-20 °C
Operating temperature max.	55 °C

**Connection type 5**

Connection	Screw terminals SK
Family construction form	terminal
Gender	female
Color contact carrier	green
No. of poles	1
PIN 1	12
Connection	Screw terminals SK
Family construction form	terminal
Gender	female
Color contact carrier	green
No. of poles	1
PIN 1	11
Connection	Screw terminals SK
Family construction form	terminal
Gender	female
Color contact carrier	green
No. of poles	1
PIN 1	14
Connection	Screw terminals SK
Family construction form	terminal
Gender	female
Color contact carrier	green
No. of poles	1
PIN 1	A 1 +
Connection	Screw terminals SK
Family construction form	terminal
Gender	female
Color contact carrier	green
No. of poles	1
PIN 1	A 2 -