

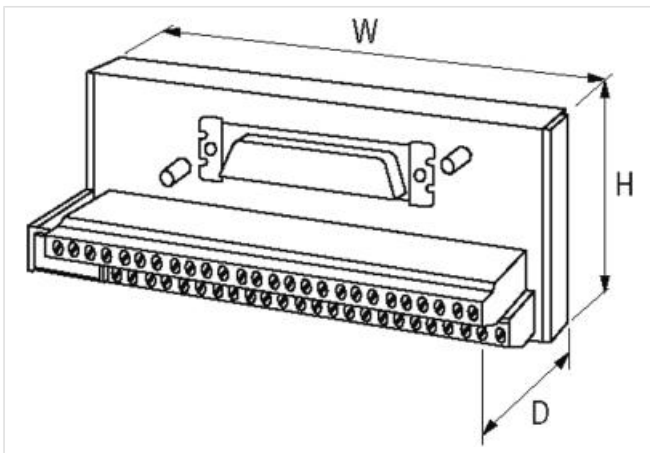
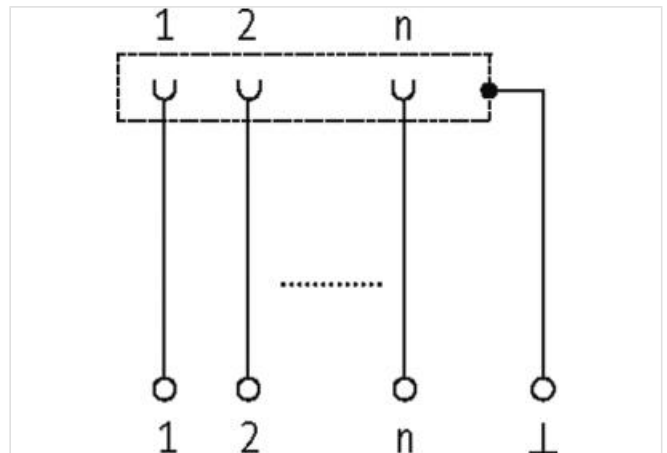
**SV-SUB D 25ST.-KL FOR SIGNAL TRANSFER**

125 VAC/DC / 2 A

Male connector  
25-pole  
Screw terminals

[Link to Product](#)

**Illustration**



Product may differ from Image



**Commercial data**

ECLASS-6.0	27143424
ECLASS-6.1	27260708
ECLASS-7.0	27141152
ECLASS-8.0	27141152
ECLASS-9.0	27141152
ECLASS-10.1	27141152

ECLASS-11.1	27141152
ECLASS-12.0	27141152
ETIM-5.0	EC001283
customs tariff number	85366990
GTIN	4048879026529
Packaging unit	1

**Electrical data | Supply**

Operating voltage AC	125 V
Operating voltage DC	150 V
Operating current max.	2 A

**Device protection | Electrical**

Overvoltage category (EN 60664-1)	II
-----------------------------------	----

**Mechanical data | Mounting data**

Mounting method	geschnappt
Suitable for mounting type	mounting rail, (EN 60715)
Height	63 mm
Width	95 mm
Depth	48 mm
Looking techniques	Standard UNC 4-40 screw thread bolt (EN 60807)

**Environmental characteristics | Climatic**

Operating temperature min.	-20 °C
Operating temperature max.	70 °C