

Braytron

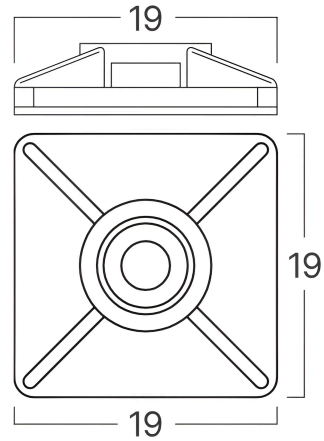
FISA TEHNICA

MODEL

BY90-01221

DESCRIERE

BRY-19x19mm-100pcs/bag-PA66-BLC-CABLE TIES MOUNT PAD



BRAYTRON SRL

MUNICIPIUL BUCUREȘTI, SECTOR 6, BLD. IULIU MANIU, NR.616, CORP B, ET.1,BUCUREȘTI,Sector 6(RO)

info@braytron.com

www.braytron.com

General Characteristics

Model No	:	BY90-01221
Main Family	:	Electrical
Sub Family	:	Cable Ties
Type	:	Mount Pad
Body Color	:	Black
Warranty	:	2 Years

Electrical Characteristics

Material	:	PA66
Working Temperature	:	-40°C ~ +85°C

Dimensions & Weight

P. Length	:	19 mm
P. Width	:	19 mm

Package Informations

PCS/CTN	:	200
Length	:	55 cm
Width	:	40 cm
Height	:	32 cm
EAN	:	5949097752964