

SKBPC5004 THRU SKBPC5016

SKBPC

Features

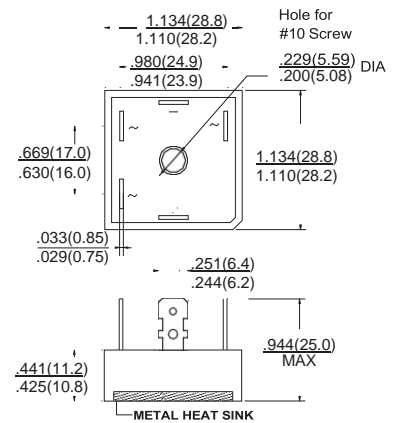
- ⊃ I_o 50A
- ⊃ V_{RRM} 400V~1600V
- ⊃ Glass passivated chip
- ⊃ High surge forward current capability

Applications

- ⊃ General purpose 3 phase Bridge rectifier applications

MAXIMUM RATINGS AND ELECTRICAL CHARACTERISTICS

Ratings at 25 °C ambient temperature unless otherwise specified.
resistive or inductive load.



Dimensions for inches and (millimeters)

MAXIMUM RATINGS (@ $T_A=25^\circ\text{C}$ unless otherwise noted)

RATINGS	SYMBOL	SKBPC50								UNITS
		04	06	08	10	12	14	16		
Maximum Recurrent Peak Reverse Voltage	V_{RRM}	400	600	800	1000	1200	1400	1600	Volts	
Maximum RMS Voltage	V_{RMS}	280	420	560	700	840	980	1120	Volts	
Maximum DC Blocking Voltage	V_{DC}	400	600	800	1000	1200	1400	1600	Volts	
Maximum Average Forward Rectified Current at $T_A = 50^\circ\text{C}$	I_o	50							Amps	
Peak Forward Surge Current 8.3ms single half sine-wave superimposed on rated load (JEDEC method)	I_{FSM}	500							Amps	
Current Squared Time	i^2T	1040							A^2/Sec	
Typical Thermal Resistance (Note 1)	$R_{\theta JC}$	0.9							$^\circ\text{C}/\text{W}$	
Dielectric Strength , Terminals to case ,AC 1 minute	V_{dis}	2.5							KV	
Operating and Storage Temperature Range	T_J, T_{STG}	-40 to+ 150							$^\circ\text{C}$	

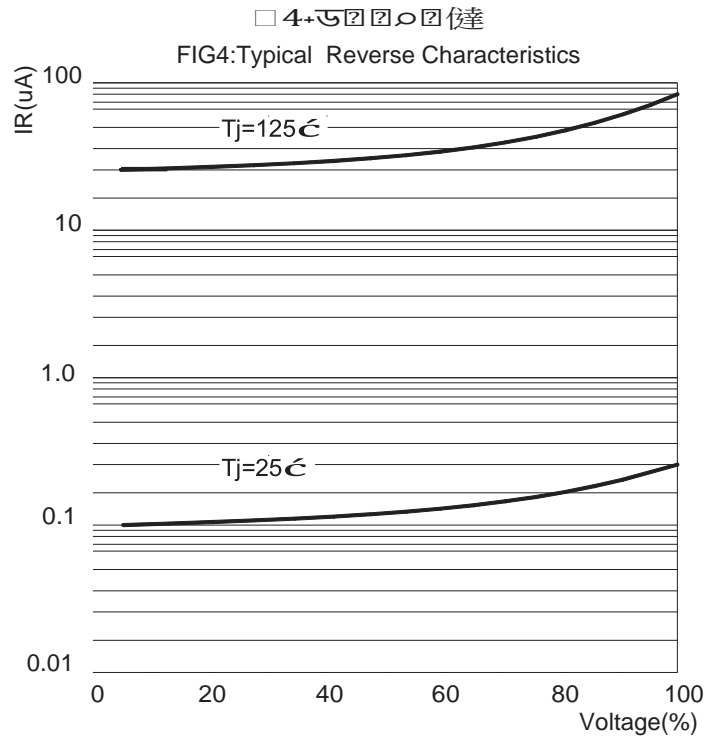
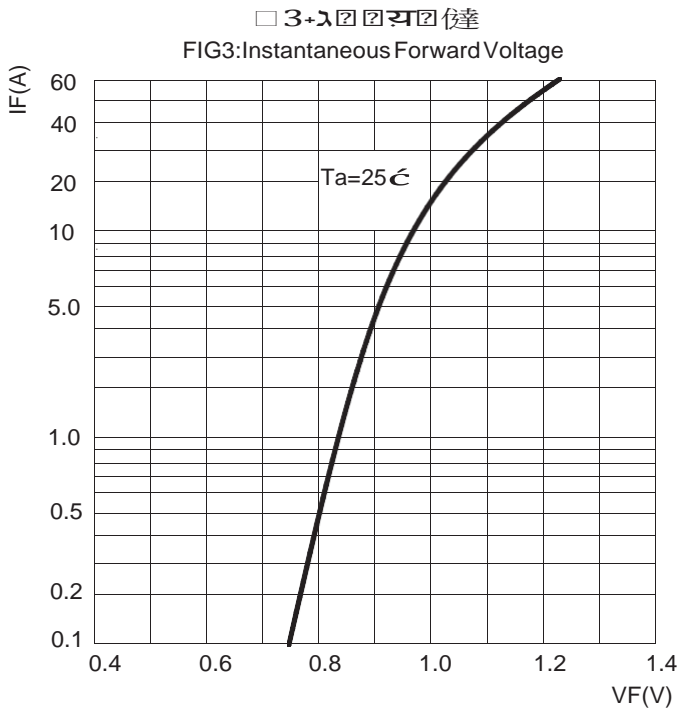
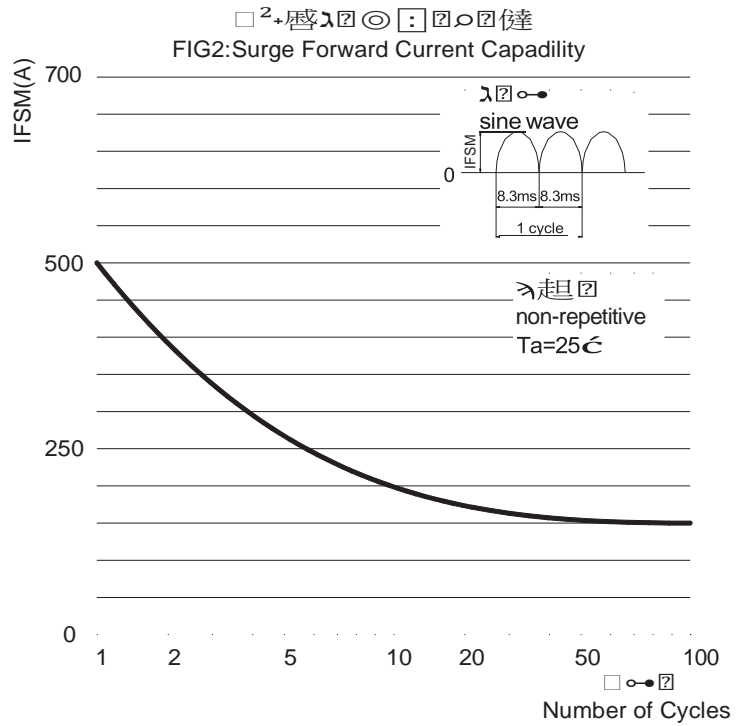
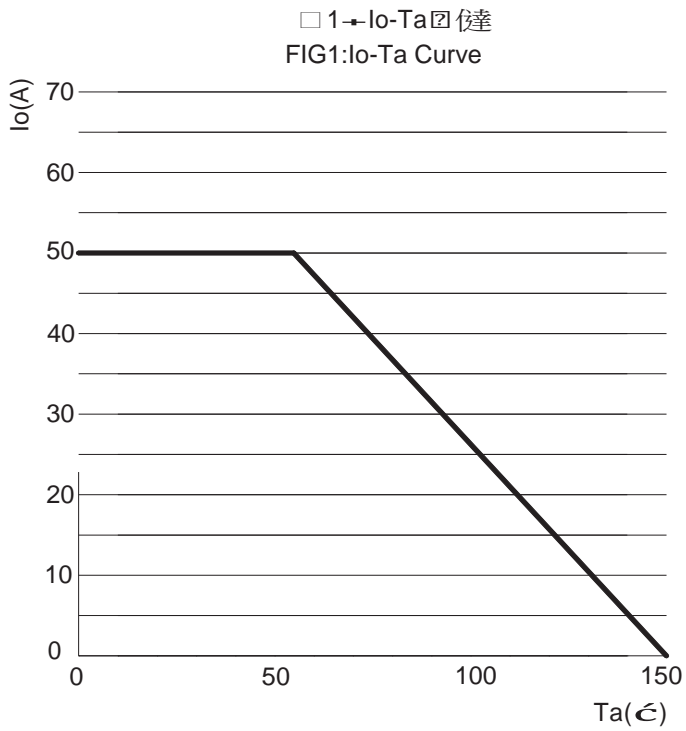
ELECTRICAL CHARACTERISTICS (@ $T_A=25^\circ\text{C}$ unless otherwise noted)

CHARACTERISTICS	SYMBOL	04	06	08	10	12	14	16	UNITS
Maximum Instantaneous Forward Voltage at 1.0A DC	V_F	1.2							Volts
Maximum DC Reverse Current at Rated DC Blocking Voltage @ $T_A = 25^\circ\text{C}$	I_R	10							uAmps

- NOTES : 1. Thermal Resistance : Heat-sink case mounted or if PCB mounted.
 2. "Fully ROHS compliant", "100% Sn plating (Pb-free)".
 3. Available in Halogen-free epoxy by adding suffix -HF after the part nbr.

2016-09
REV:O10

RATING AND CHARACTERISTICS CURVES (SKBPC5004 THRU SKBPC5016)



DISCLAIMER NOTICE

Rectron Inc reserves the right to make changes without notice to any product specification herein, to make corrections, modifications, enhancements or other changes. Rectron Inc or anyone on its behalf assumes no responsibility or liability for any errors or inaccuracies. Data sheet specifications and its information contained are intended to provide a product description only. "Typical" parameters which may be included on RECTRON data sheets and/ or specifications can and do vary in different applications and actual performance may vary over time. Rectron Inc does not assume any liability arising out of the application or use of any product or circuit.

Rectron products are not designed, intended or authorized for use in medical, life-saving implant or other applications intended for life-sustaining or other related applications where a failure or malfunction of component or circuitry may directly or indirectly cause injury or threaten a life without expressed written approval of Rectron Inc. Customers using or selling Rectron components for use in such applications do so at their own risk and shall agree to fully indemnify Rectron Inc and its subsidiaries harmless against all claims, damages and expenditures.