

SPECIFICATION

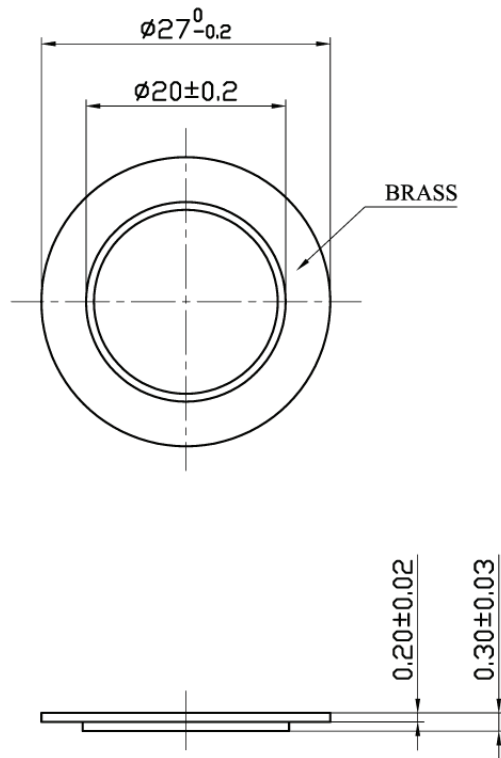
1. SCOPE

This specification is applied to the piezo-element.

2. SPECIFICATION

(at 25°C)

2.1 Resonant Frequency	:	2.5±0.5 KHz
2.2 Resonant Resistance	:	500 Ω max
2.3 Capacitance	:	50000 pF±30% at 100Hz
2.4 Input Voltage	:	30 Vp-p max
2.5 Operating Temperature	:	-20~+50°C
2.6 Storage Temperature	:	-20~+70°C
3. DIMENSION	:	as per figure

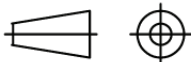


TOLERANCES UNLESS NOTED OTHERWISE

.X ±
.XX ±
.XXX ±

90° FORMED +2°
ANGLES -1°

FIRST ANGLE PROJECTION



DRAWN	
DESIGN	
CHECKED	
APPROVED	
DATE	03.08.07
CONTRACT NO.	

AGENCY APPROVAL

KEPO MODEL NO.

KPTG-27T-2. 5A1

DWG NO.

KP3.840.818

KEPO ELECTRONIC CO., LTD.
<http://www.kepo.com.tw>

CUSTOMER

CUSTOMER NO.

VER	1.1	SCALE	
UNIT	mm	SHEET	

TEL: 886-2-2999-0888
FAX: 886-2-2999-9199