

92x92x25 mm

21~37 CFM



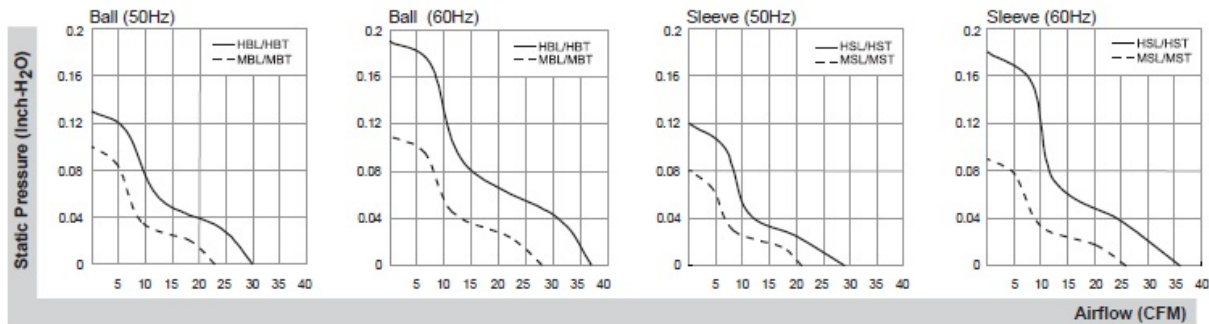
■ Specifications

| Model | P/N | Bearing ● VAPO ○ BALL ○ Sleeve | Rating Voltage (VAC) | Freq. (Hz) | Power Current (AMP) | Power Consumption (WATTS) | Speed (RPM) | Air Flow (CFM) | Static Pressure (Inch-H ₂ O) | Noise (dB(A)) | Weight (g) |
|----------|------------|---|-------------------------|---------------|------------------------|------------------------------|----------------|-------------------|--|------------------|---------------|
| | | | | | | | | | | | |
| SF11592A | 1092HSL.GN | ⊙ | 115 | 50/60 | 0.12/0.11 | 13/12 | 2250/2750 | 29/36 | 0.12/0.18 | 36/39 | 280 |
| SF11592A | 1092HST.GN | ⊙ | 115 | 50/60 | 0.12/0.11 | 13/12 | 2250/2750 | 29/36 | 0.12/0.18 | 36/39 | 280 |
| SF11592A | 1092MSL.GN | ⊙ | 115 | 50/60 | 0.06/0.06 | 7/6 | 1550/1700 | 21/26 | 0.08/0.09 | 28/30 | 280 |
| SF11592A | 1092MST.GN | ⊙ | 115 | 50/60 | 0.06/0.06 | 7/6 | 1550/1700 | 21/26 | 0.08/0.09 | 28/30 | 280 |
| SF11592A | 1092HBL.GN | ○ | 115 | 50/60 | 0.12/0.11 | 13/12 | 2350/2850 | 30/37 | 0.13/0.19 | 37/40 | 280 |
| SF11592A | 1092HBT.GN | ○ | 115 | 50/60 | 0.12/0.11 | 13/12 | 2350/2850 | 30/37 | 0.13/0.19 | 37/40 | 280 |
| SF11592A | 1092MBL.GN | ○ | 115 | 50/60 | 0.07/0.06 | 7/6 | 1800/2100 | 23/28 | 0.10/0.11 | 31/33 | 280 |
| SF11592A | 1092MBT.GN | ○ | 115 | 50/60 | 0.07/0.06 | 7/6 | 1800/2100 | 23/28 | 0.10/0.11 | 31/33 | 280 |
| SF23092A | 2092HSL.GN | ⊙ | 220-240 | 50/60 | 0.07/0.06 | 14.5/14 | 2250/2750 | 29/36 | 0.12/0.18 | 36/39 | 280 |
| SF23092A | 2092HST.GN | ⊙ | 220-240 | 50/60 | 0.07/0.06 | 14.5/14 | 2250/2750 | 29/36 | 0.12/0.18 | 36/39 | 280 |
| SF23092A | 2092MSL.GN | ⊙ | 220-240 | 50/60 | 0.07/0.07 | 15/14 | 2000/2500 | 27/33 | 0.11/0.16 | 32/37 | 280 |
| SF23092A | 2092MST.GN | ⊙ | 220-240 | 50/60 | 0.07/0.07 | 15/14 | 2000/2500 | 27/33 | 0.11/0.16 | 32/37 | 280 |
| SF23092A | 2092HBL.GN | ○ | 220-240 | 50/60 | 0.07/0.06 | 14.5/14 | 2350/2850 | 30/37 | 0.13/0.19 | 37/40 | 280 |
| SF23092A | 2092HBT.GN | ○ | 220-240 | 50/60 | 0.07/0.06 | 14.5/14 | 2350/2850 | 30/37 | 0.13/0.19 | 37/40 | 280 |
| SF23092A | 2092MBL.GN | ○ | 220-240 | 50/60 | 0.07/0.07 | 15/14 | 2200/2700 | 28/35 | 0.12/0.18 | 35/38 | 280 |
| SF23092A | 2092MBT.GN | ○ | 220-240 | 50/60 | 0.07/0.07 | 15/14 | 2200/2700 | 28/35 | 0.12/0.18 | 35/38 | 280 |

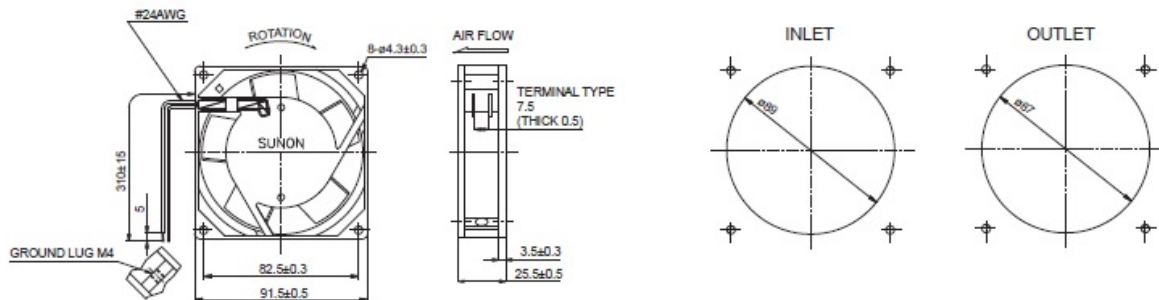
Frame : Aluminum alloy

Safety : UL-CUL/TUV NORD/CE/CCC/BSMI

■ Air Flow-Static Pressure Characteristics



■ External dimensions(mm)



*All model could be customized. Please contact with Sunon Sales.

*Specifications are subject to change without notice. Please Visit SUNON website at <http://www.sunon.com> for update information.