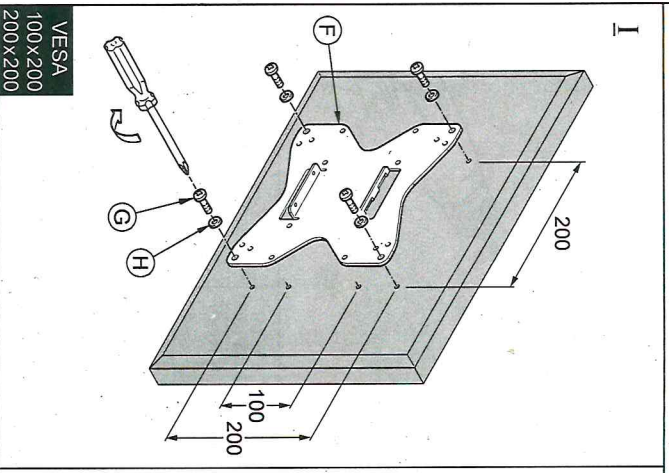
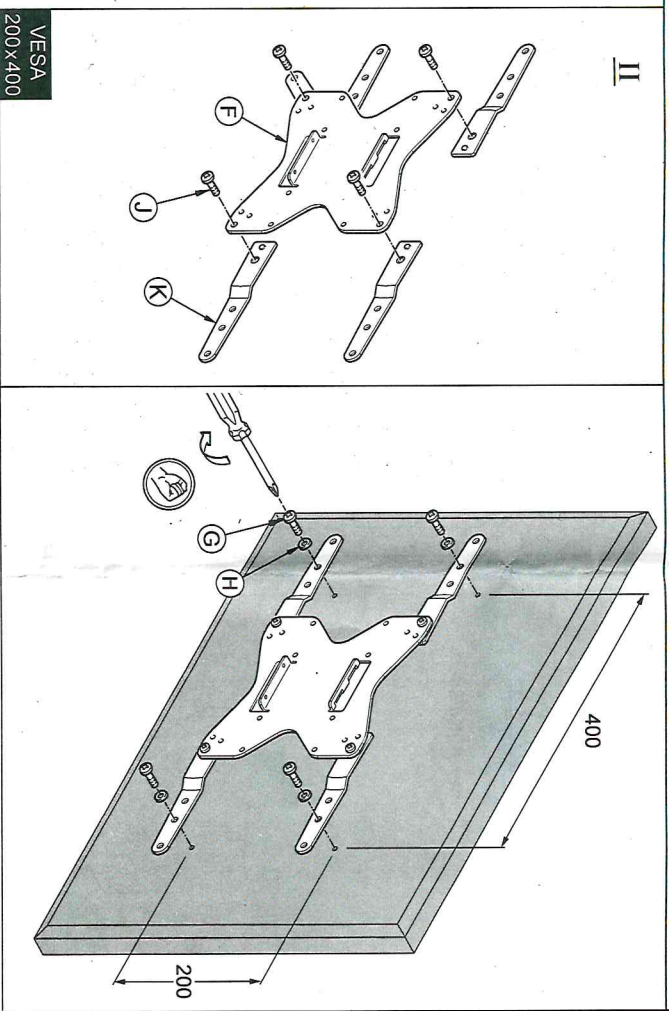


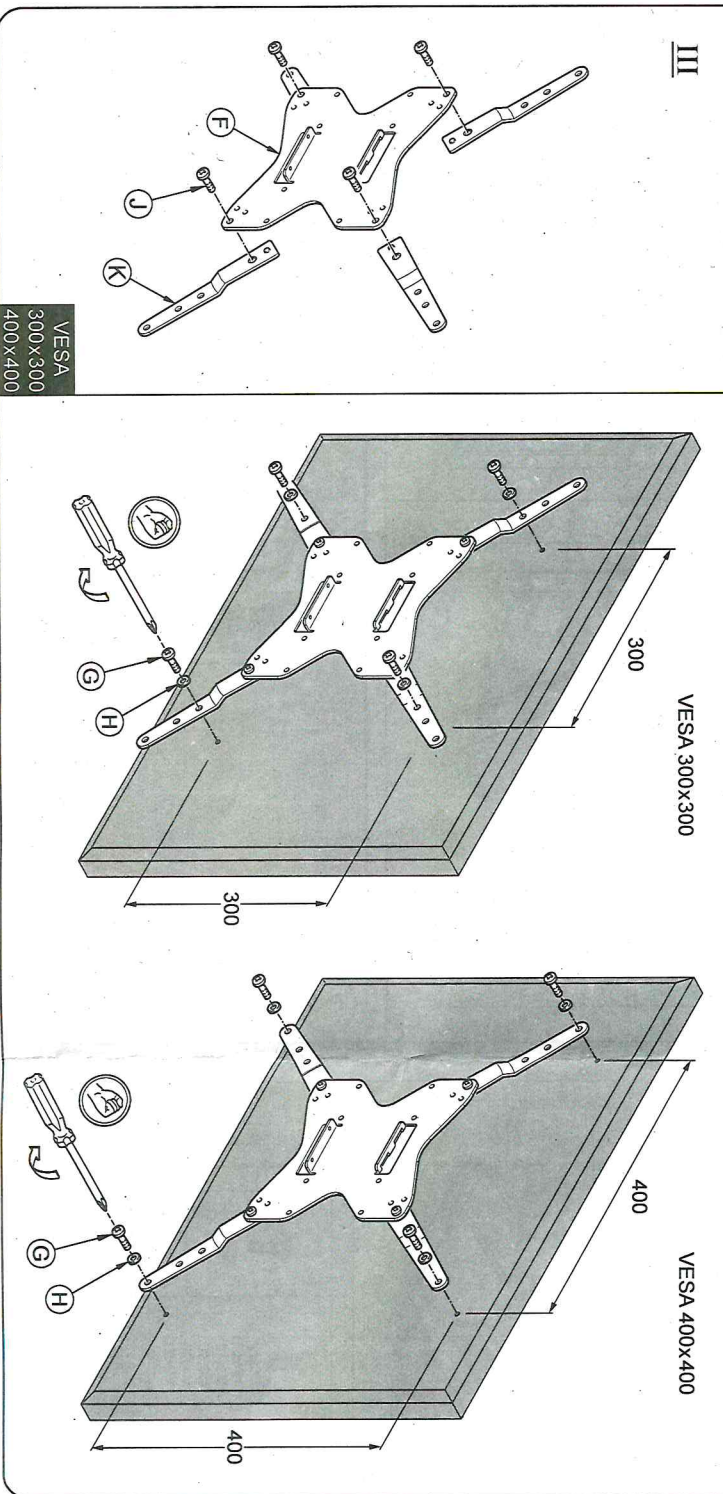
I



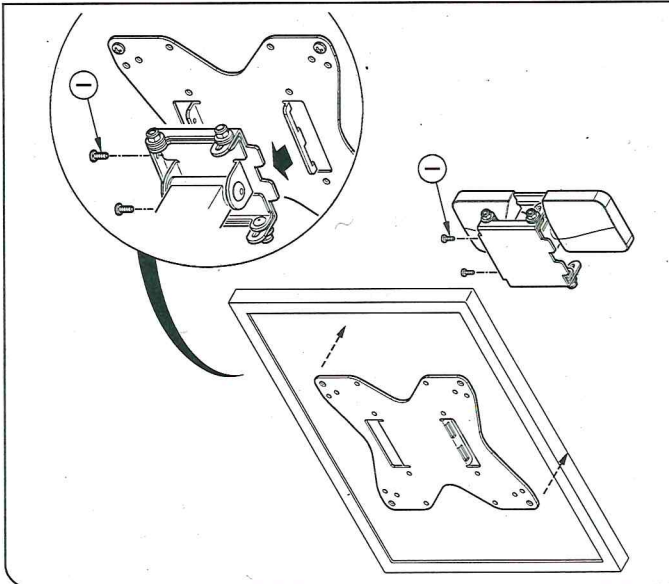
II



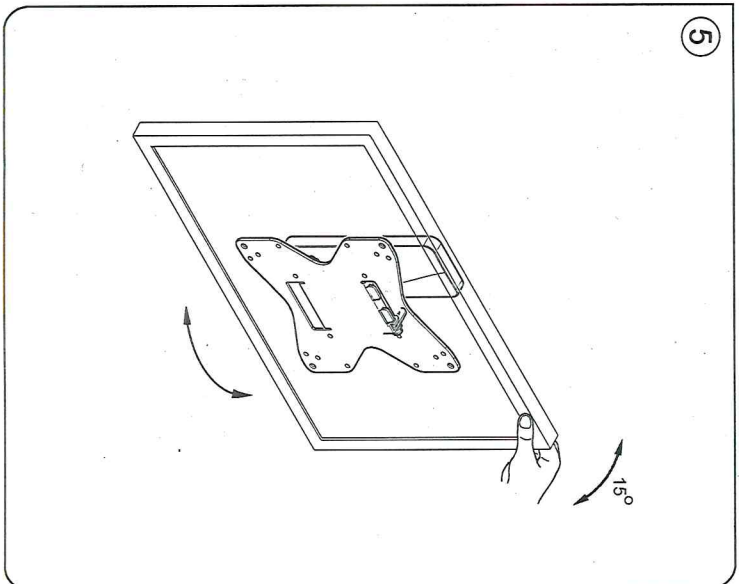
III



4



5

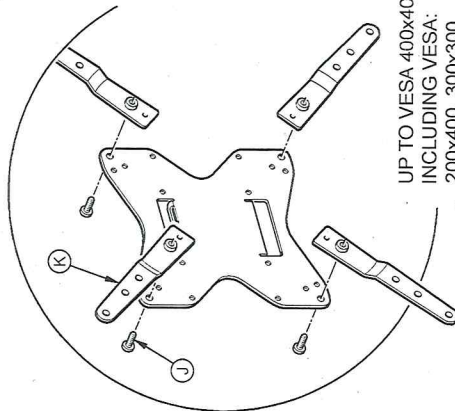
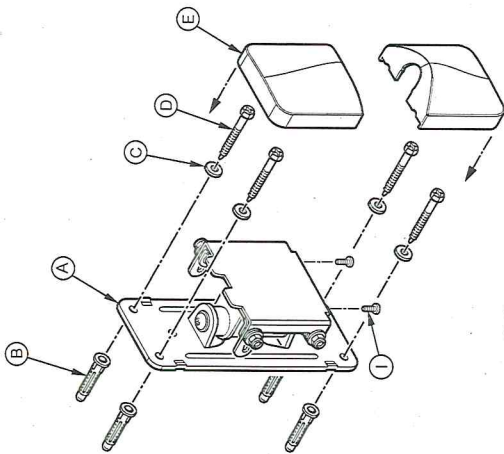




SIH Brackets Ltd.

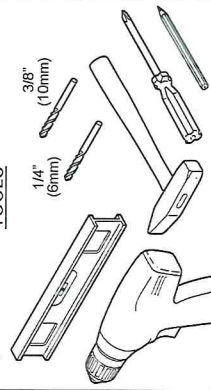
252

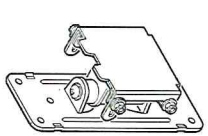








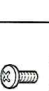

max. 40Kg/88Lb



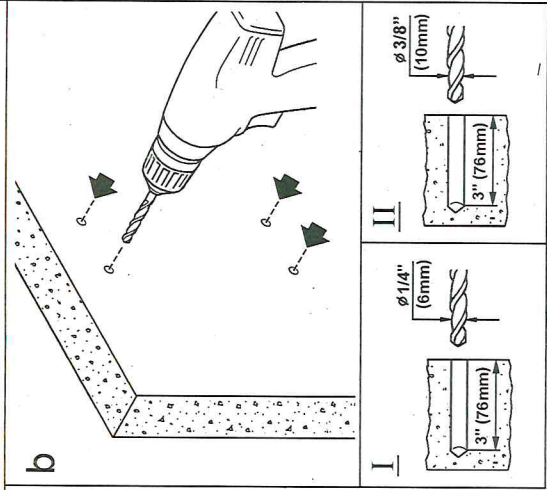
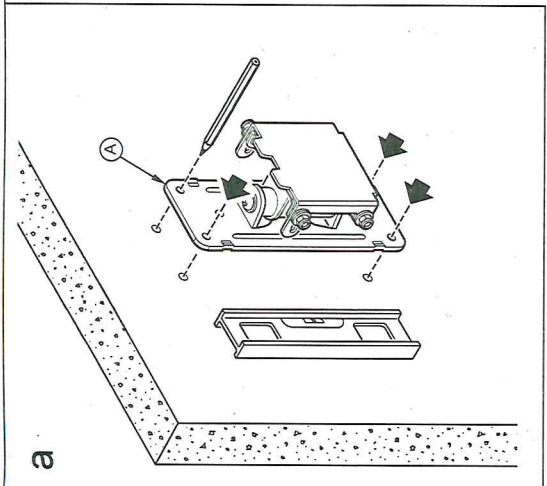
UP TO VESA 400x400
INCLUDING VESA:
200x400, 300x300

TOOLS

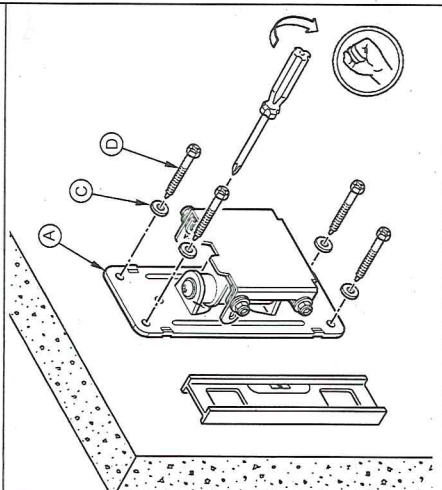
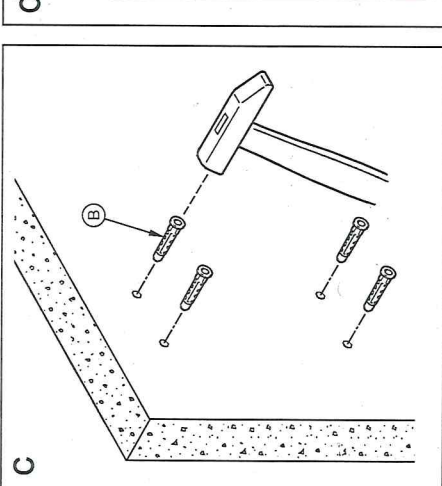


	A	x1
	B	x4
	C	x4
	D	x4
	E	x2
	F	x1
	G	MBx12 MSx20 MSx12 MSx20 MSx16 MSx30
	H	M5 M6
	I	MSx10
	J	MBx12
	K	x4

1



C



2

