

1 POWER SWITCH

SPECIFICATIONS

Q-9860

TYPE: **SDL1P-B**

Rating: 3A 250V AC

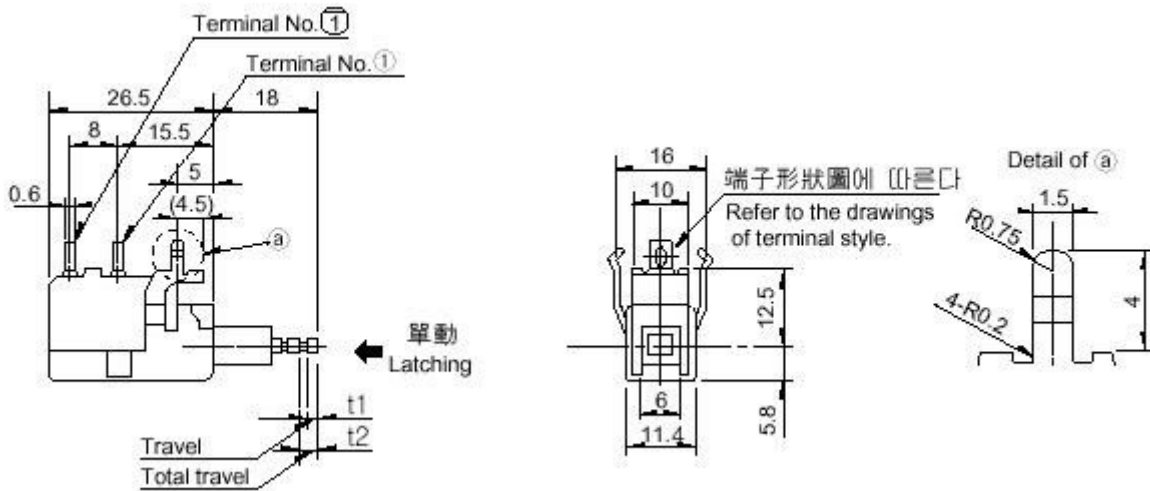
Contact R: 50MΩ max

Insulation R: 500V DC 100MΩ min

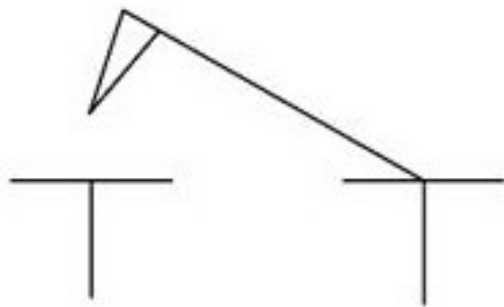
Dielectric Strength: 1 Minute 1500V AC

Operating Temperature: -25°C ~ +85°C

Electrical Life: 30, 000 Cycles



Circuitry 2P



ON-OFF

