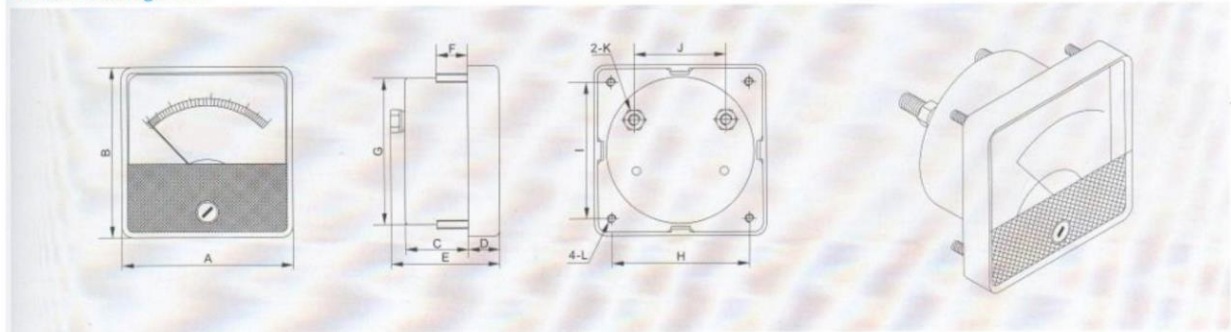


### Square or Rectangular Panel Meter



Model	Name	Specification		Accuracy
VF-80 VF-870 VF-60 VF-50	AC Ammeter	From 10A, 15A, 20A, 30A...to 3000A, 5000A	With Ext. CT/1A or 5A	Class:2.5
		From 0. 1A, 0. 5A, 1A, 5A, 10A, 25A...to 80A, 100A	AC Direct Connection	Class:2.5
	DC Ammeter	From 50 $\mu$ A, 100 $\mu$ A, 1mA, 5mA...1A, 5A, 10A, 25A, 30A...to 100A	DC Direct Connection	Class:2.5
		From 10A, 15A, 20A, 30A...2500A, 3000A...to 8KA, 10KA	With Ext. Shunt 50mV, 60mV, 75mV	Class:2.5
	AC Voltmeter	From 30V, 50V, 75V, 100V...to 300V, 500V, 600V	AC Direct Connection	Class:2.5
		From 1KV, 2KV, 5KV...to 380KV, 450KV	With Ext. PT	Class:2.5
	DC Voltmeter	From 10V, 20V, 30V...to 500V, 600V, 1800V	DC Direct Connection	Class:2.5
		From 1KV, 2KV, 5KV...to 8KV, 9KV, 10KV	With Ext. Resistor	Class:2.5
	Frequency Meter	Voltage :110V, 220V, 380V, 440V	.....	Class:2.5
	Power Factor Meter(cos $\phi$ )	Voltage: 110V, 220V, 380V, 440V Current: 1A or 5A	For 1-Phase or 3-Phase	Class:2.5
Scale: 0.5cap-1-0.5ind, 0.3cap-1-0.1ind, 0.7cap-1-0.2ind				
Power Meter(KW or VAR)	Voltage: 110V, 220V, 380V, 440V Current: 1A or 5A	For 1P, 3P3W, 3P4W With CT or PT	Class:2.5	

### Outline Drawing unit:mm



Model	A	B	C	D	E	F	G	H	I	J	K	L
VF-80	80	80	23	13	49	13	63	65	65	24	M5 Outside	M3
VF-670	70	60	22	11	45	10	51	50	50	31	M4 Inside	M3
VF-60	60	60	22	11	39	11	51	48	48	25	M4 Inside	M3
VF-50	52	52	22	11	39	10	44	38	38	31	M4 Inside	M3