

Braytron

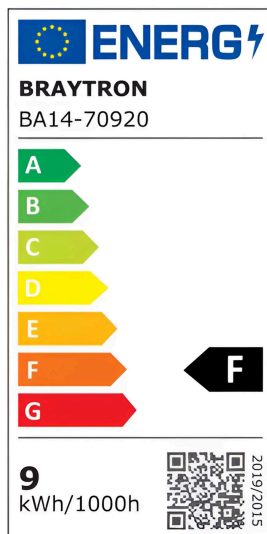
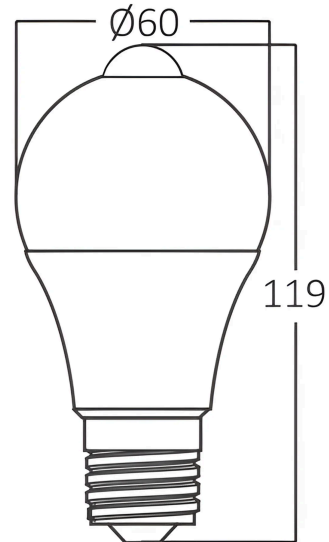
TECHNICAL DATA SHEET

MODEL

BA14-70923

DESCRIPTION

BRY-ADVANCE-9W-MO.SENS.-E27-A60-6500K-LED BULB



BRAYTRON SRL

MUNICIPIUL BUCUREȘTI, SECTOR 6, BLD. IULIU MANIU, NR.616, CORP B, ET.1,BUCUREȘTI, Sector 6(RO)
info@braytron.com
www.braytron.com

General Characteristics

Model No	:	BA14-70923
Main Family	:	Bulbs & Tubes
Sub Family	:	A Shape Bulbs
Type	:	A60
Body Color	:	White
Lamp Shape	:	Non-Directional
Dimmable	:	Not-Dimmable
Light Source	:	LED
Socket	:	E27
Warranty	:	2 Years
Class	:	CLASS II
IP	:	IP20

Product Characteristics

Wattage	:	9
Color Temperature	:	6500K
Quse Lumen	:	806
Color Rendering Index (CRI)	:	≥80
Energy Efficiency Level	:	F
Beam Angle	:	180°
Equivalent	:	60 w

Electrical Characteristics

Lifetime	:	15000 h
Voltage	:	220-240V 50/60Hz
Power Factor	:	>0,5
Material	:	PA+PC
Working Temperature	:	-20°C ~ +40°C

Dimensions & Weight

Diameter	:	60 mm
P. Height	:	119 mm
Weight	:	46 gr

Sensor Informations

Sensor Type	:	Motion
Detection Distance	:	≤8 mt
Installation Height	:	2-3 mt

Package Informations

N.W.	:	4,6 kgs
G.W.	:	7,5 kgs
PCS/CTN	:	100
Length	:	63,5 cm
Width	:	33 cm
Height	:	27,5 cm
EAN	:	5949097723476