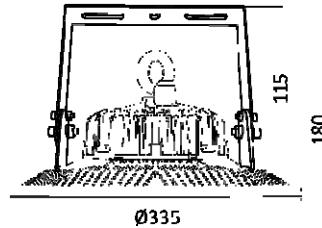


Product Datasheet



Products Family : Led Lighting Fixture
Products Name : LED Hibay Light

Datasheet is valid for following Model numbers

Product Code	CCT	Body Color
BT45-19612	4000K	Grey
BT45-19632	6500K	Grey

Manufacturer:
Demgrup international lighting limited
unit d 16/f,one capital place,18 luard road
wan chai, Hong Kong
www.demgrup.com.tr

Importer / Company:
Braytron S.R.L
Bulevardul iuliu maniu,nr.616, corp B
etaj 1 sector 6,061129 bucuresti, Romania
info@braytron.com www.braytron.com

Test condition:light for 30 mins under nominal voltage input and 25°C±1°working environment

General Characteristics

- Family : Led Lighting Fixture
- Sub Family : LED Hibay Light
- Mounting Type : Hibay
- Lamp Shape : Non-Directional
- Dimmable : Not-Dimmable
- Light Source : LED
- Warranty : 5 years
- Class : Class I
- IP : IP65
- IK : IK08

Lamp Characteristics

- Wattage : 200 w
- Color Temperatue : 4000K/6500K
- Luminous Flux(whole Product) : 26000 lm
- Luminous Flux(LED System) : 26000 lm
- Color Rendering Index(CRI) : > 80
- Energy Efficiency Level : E
- Beam Angle : 90 Degree(s)
- Chromaticity(SDCM) : < 6

Electrical Characteristics

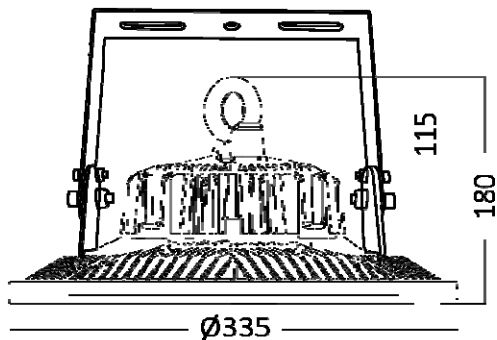
- Lifetime (L70B50) : 30000 h
- Input Voltage : 220-240V
- Frequency : 50-60 Hz
- Power Factor : > 0.9
- Starting Time : < 0.5 s
- Lumen Maintenance Factor : > 0.899
- Number of Switch Cycles : > 15000
- Material : Aluminium
- Working Temperature : -20°C~+45°C
- Storage Temperature : -20°C~+60°C
- Environment humidity(working) : 10%~65%

Test condition: light for 30 mins under nominal voltage input and 25°C±1° working environment

Lamp Dimensions & Weight

- Diameter(mm) : 335
- Length(mm) :
- Width(mm) :
- Height(mm) : 180
- Cutout(mm) :
- Weight(kg) : 4,5

Technical Drawing(s)



Reliability requirements and Test Conditions

- **Lumen maintenance**

Lumen maintenance is not lower than 89.9% after lighting for 2.5h on and 0.5h off for one cycle.
Total 1200 cycle and 3600h including 3000h on and 600h off.

- **Working life (L70B50)**

Under nominal voltage input, working life is forced not lower than 30000 h at 25°C±1°C

- **Remarks:**

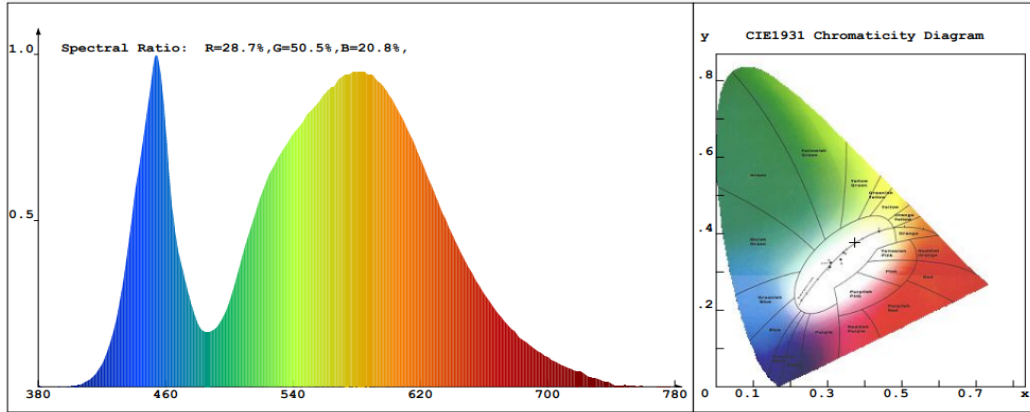
Declared values above may vary ±5



Luminare is intendet to use in outdoor aplications

Test condition: light for 30 mins under nominal voltage input and 25°C±1° working environment

Optical and electrical test parameter:



Chroma Parameters

Chro.Coord.: x=0.3729 y=0.3772 u=0.2200 v=0.3338 duv=0.0025
 CCT: 4214K Dominant Wave.: 576.8nm Purity: 25.1%
 Flux RGB Ratio: R=16.0%, G=81.8%, B=2.2% Peak Wave: 454.6nm Half Width: 26.7nm

Rendering Index: Ra= 72.7

R1 =70 R2 =81 R3 =88 R4 =69 R5 =67 R6 =70 R7 =84 R8 =54
 R9 =-31 R10=52 R11=63 R12=41 R13=72 R14=93 R15=64

Photo Parameters

Flux: 24479.30lm Effi.: 124.1lm/W Radiant: 62138.3mW Iv: 0.0mcd
 Efficiency: 0.110 Effi Level: A++ (EU 874-2012)

Ele. Parameters

Voltage: U=229.800V Current: I=0.8760A
 Power: P=197.30W Power Factor: PF=0.980

Darkroom Test report

