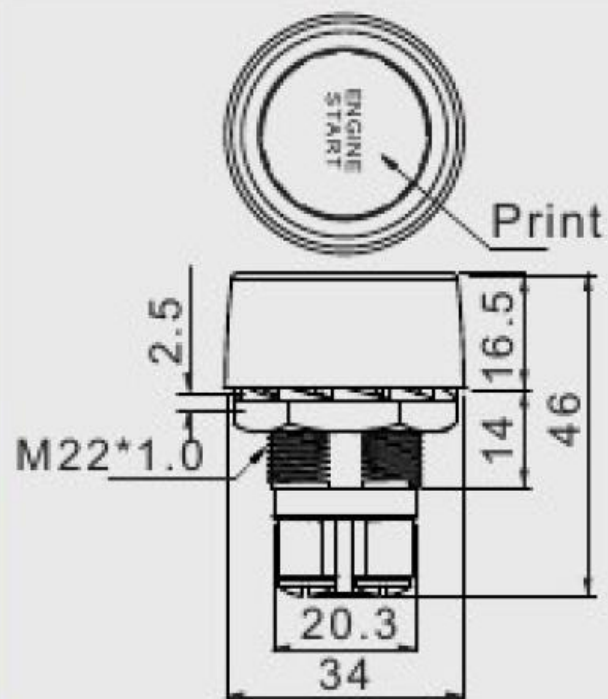


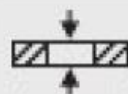
A2-23 - 0 7



SC M4



22



9 mm max

50A 12V DC,
25A 24V DC

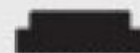
Red, Green, Blue

FUNCTION

A



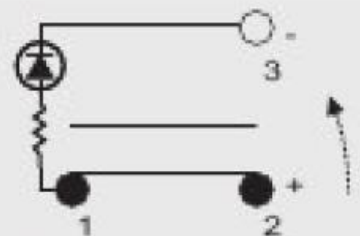
OFF



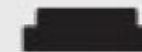
(ON)

2P SPST

B



OFF



(ON)

3P SPST

(LED)