

114GB/118GB Digital Communicator Installation Instructions



1. Unpack the communicator and mount the unit using adhesive pads fitted to the back of the housing.
2. Remove the two screws from the plastic cover to access the EEPROM (U9) and the telephone connections (TB4).
3. Remove and program the EEPROM (U9). Refer to the 114GB/118GB Digital Communicator Programming and Installation Instructions for programming information.
4. Replace the EEPROM in the socket, ensuring proper alignment of pin 1. See Figure 1 below.
5. Connect power from the AUX terminals on the control panel to the +12V and OV terminals of TB1 on the communicator.

Note: If the power supply for the 118GB(S)/114GB(S) is different than the control panel, you must connect the negative terminals of both power supplies together. (See Figure 1.) If the negative (return) terminals of the control panel and the 118GB(S)/114GB(S) are not connected (at the same potential), the dialer may not trigger on alarms.

6. Connect the trigger signals to the input terminals CH1 to CH8 (TB2). Refer to the 114GB/118GB Digital Communicator Programming and Installation Instructions for information regarding trigger polarity.

Note: The 114GB(S) has only four channels (CH1 to CH4).

7. Connect the line fault terminal (L/F on TB3) to the Line Fault input terminals (S+ and S1) on the C&K Securitech Active 5x and Bravo 700 control panels. (See Figure 1.)
8. The 118GB also provides an output for an optional listen-in or two way listen-in device. If used, connect the listen-in device to the LIS terminal on TB1. Refer to the 114GB/118GB Digital Communicator Programming and Installation Instructions for additional information on the LIS output.
9. An Auxiliary Form C relay (K1) is available on the 114GB/118GB Digital Communicator. Connect the output terminals, normally open (NO), common (COM) and normally closed (NC) on TB3 as required. Refer to the 118GBP Programming Manual for programming details.
10. Test the 114GB/118GB Digital Communicator. Refer to the 114GB/118GB Digital Communicator Programming and Installation Instructions for test procedures.

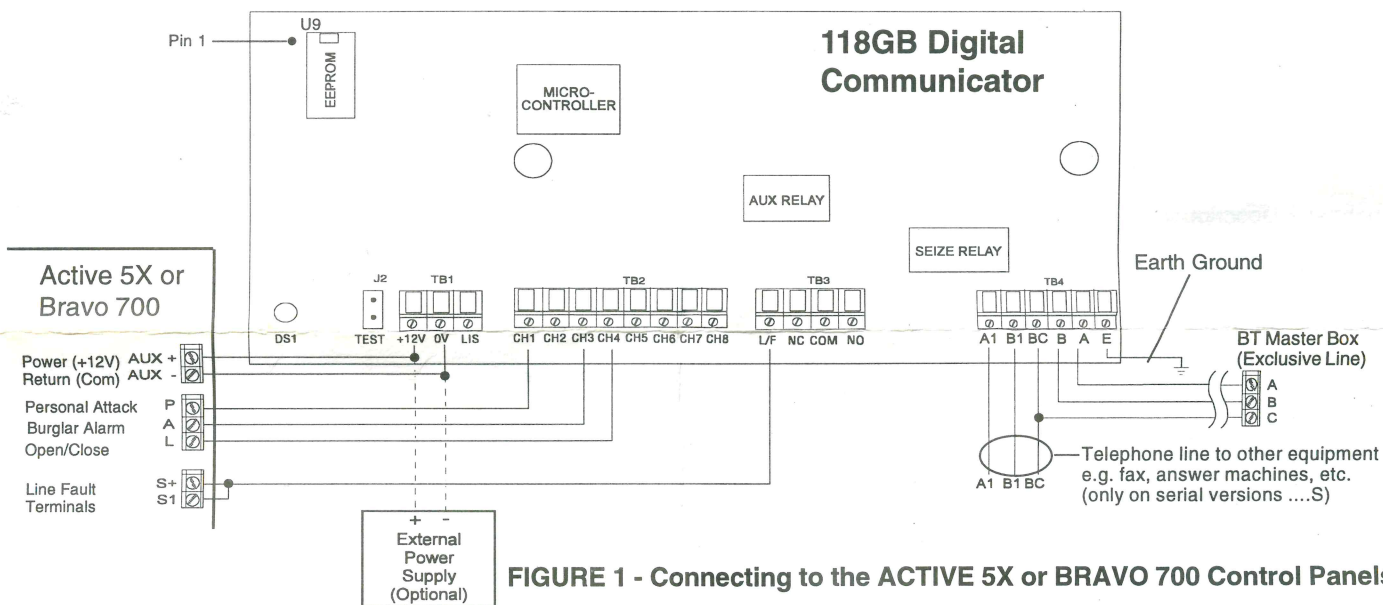


FIGURE 1 - Connecting to the ACTIVE 5X or BRAVO 700 Control Panels

Technical Specifications

Model Numbers: 114GB Digital Communicator, parallel 118GB Digital Communicator, parallel
 114GBS Digital Communicator, series 118GBS Digital Communicator, series

Physical Specifications

Size: 175mm x 80mm x 28mm
 Unit mounts with double-sided tape.
 Weight: 114GB - 150g 114GBS - xxxg
 118GB - 198g 118GBS - xxxg

Environmental Specifications

Temperature Range: +4°C to +60°C
 Humidity Range: 0 to 95% Noncondensing

Power Supply

Voltage Range: 9.5 to 16.0 VDC
 Power Consumption: 35mA (idle) to 150mA (dialing)
 Protection: Electronic current limiting; Reverse polarity protected.

Line Fault

Terminal Voltage: Normal > Supply -1.0 volts
 Triggered < 1.0 volts @ 20mA

Channel Inputs

Max. Input + 28.0 V
 High Level: + 7.0 V to +28.0 V
 Low Level: -0.5 V to + 2.0 V

Listen-in

Terminal Voltage: Normal @ Supply voltage
 Triggered < 1.0 V @ 20 mA
 Trigger Time: 1 second before hang-up, the listen-in triggers for 1 second
 Trigger conditions: Only on alarms

Programming

Handheld Programmer: C&K Model 118GBP

Telephone

Phone System Type: Loop start, pulse (10 PPS) or DTMF dialing.

LIMITED WARRANTY

This product is warranted against manufacturing defects for 18 months from the date of manufacture. The manufacture date is established by the date code of the unit. This limited warranty does not apply to any product which has been altered, abused, or misused (physically or electrically).

Products returned within 5 months of manufacture will be replaced with a new unit. Complete warranty information is available from your distributor, sales representative, or C&K Service Center.