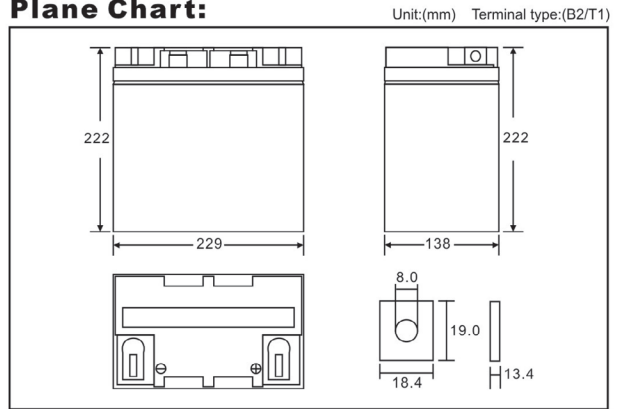




## Akumulator żelowy VIPOW 12V 55Ah



### Plane Chart:



ISO9001  
ISO140001  
OHSAS18001

### Characteristic:

1. 100% testing before out of factory, stable and reliable quality is guaranteed.
2. Professional alloy formula and advanced manufacturing techniques.
3. Completely sealed and maintenance free, low self-discharge.
4. Good charge-discharge acceptability.
5. Cyclic application: deep cycle charge-discharge for more than 260 times.
6. Floating application: for 3-5 years.

### Application:

- Anti-theft system
- Radio transceiver
- Power system
- Railroad engine and railway communication
- Emergency lighting and lamps
- Electric tools
- Electronic instruments and other backup power
- Medical facilities
- UPS for banking system
- Computer backup power
- Marine system
- UPS for fire fighting system
- Toys

### Parts:

Executed Standard:GB/T 19639.1-2005

Cover	Container Bottom	Terminal	Positive Plate	Negative Plate	Separator	Electrolyte	Safety Valve	Seal Glue
ABS	ABS	Copper	PbO <sub>2</sub>	Pb	AGM	dilute sulphuric acid	Rubber	Epoxy Resin

### Packing

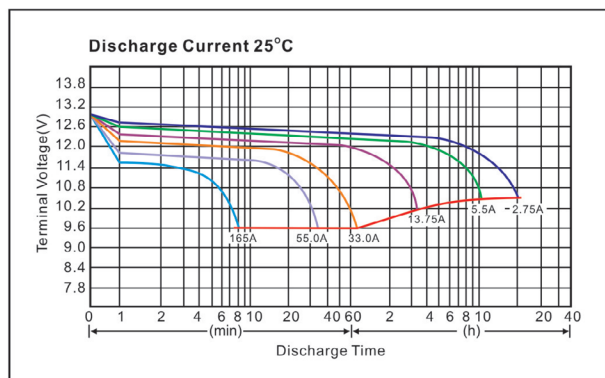
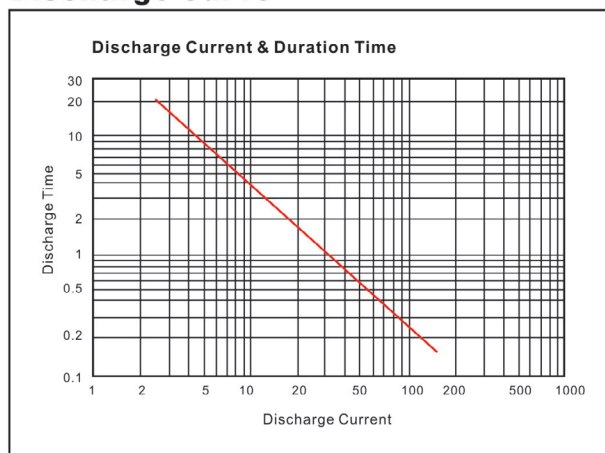
Date	Battery Packing	Inner Packing	Outer Packing
① Printing	① Polybag	Paper Box	Carton Packing
② Branded	② Shrink		
Carton Sealing		Accessories	
① Packing Strap		Bolts&nuts	Mini Charger
② Shrink		With	Optional

### Parameter Chart:

Volts	12V	
Capacity(25°C)	20 hours rate (2.75A)	55.0Ah
Discharge Current Testing (25°C)	20 I <sub>20</sub> rate (55A, 27min)	35min
	60 I <sub>20</sub> rate(165A, 7min)	8min
Internal Resistance	Full Charged Battery 25°C	
		6mΩ
Capacity Affected By Temperature (20 hours rate)	40°C	102%
	25°C	100%
	0°C	85%
	-15°C	62%
Residual Capacity (25°C)	Capacity After 3 Months Storage	91%
	Capacity After 6 Months Storage	82%
	Capacity After 12 Months Storage	64%
Cycle (Above 300 Time)	Discharge 2hrs at 13.75A Current Charge 6hrs at 5.5A Current (25°C)	
Charge (Constant Voltage)	Cycle (25°C)	Initial Charging Current Less Than 16.5A Voltage 14.5~14.9V
	Float (25°C)	Charge Voltage 13.6~13.8V
Weight (Approx)		16.37Kg

★The above are average and date obtained from the first 3 charge/discharge cycles. These are not minimum values.

### Discharge Curve





Constant Current Discharge (Amperes) at 25°C (77°F)												
F.V/Time	5min	10min	15min	30min	1Hr	2Hr	3Hr	4Hr	5Hr	6Hr	10Hr	20Hr
1.80V/cell	151.8	113.85	82.5	55.55	32.45	18.15	13.75	11	9.68	7.92	5.17	2.695
1.75V/cell	157.3	116.05	84.15	56.65	32.89	18.7	14.3	11.55	9.9	8.03	5.28	2.75
1.70V/cell	171.6	123.2	89.1	58.85	33.55	19.25	14.685	11.715	10.065	8.195	5.379	2.794
1.65V/cell	188.65	133.65	96.8	62.15	33.55	19.36	14.85	11.858	10.175	8.25	5.445	2.805
1.60V/cell	204.6	140.25	101.75	64.9	34.1	19.8	14.96	11.935	10.285	8.415	5.5	2.86

Constant Power Discharge (Watts/cell) at 25°C (77°F)												
F.V/Time	5min	10min	15min	30min	1Hr	2Hr	3Hr	4Hr	5Hr	6Hr	10Hr	20Hr
1.80V/cell	1988.58	1463.88	1173.15	697.62	400.32	216.86	160.281	132.471	110.550	92.871	61.743	32.340
1.75V/cell	2301.42	1585.65	1227.27	724.35	412.27	221.10	163.515	134.829	112.200	94.286	62.700	33.000
1.70V/cell	2445.30	1643.07	1264.89	740.85	419.73	224.87	165.000	137.186	112.827	96.171	63.030	33.165
1.65V/cell	2555.19	1682.34	1293.93	751.08	424.74	227.23	166.188	138.600	113.223	97.114	63.162	33.231
1.60V/cell	2640.00	1716.00	1320.00	759.00	429.00	229.59	167.112	140.014	113.520	98.057	63.162	33.231

## Loading Info

Master Carton			Pallet			20 GP	
Pcs/Ctn	Size(mm)	N.W.(kg)	Size(mm)	Total CTNS	N.W.(T)	Pallet Qty	Battery Qty(pcs)
1 PCS	250*163*275	16.37	1.12*0.82	90	1.47	14	1260