

IMPORTANT:
Read and conserve these operating instructions. Observe and follow the safety instructions.

Introduction

These operating instructions must be read through carefully in their entirety. It forms part of your newly purchased battery-powered, photoelectric smoke detector and contains important information relating to its operation and handling. This is described simply as the 'smoke alarm' from now on. All safety advice must be observed when using this product. If there are any questions arising regarding the use of the smoke alarm please contact your specialist dealer or our service point. The operating instructions must be conserved and passed on to third parties if necessary. Care must be taken to ensure that the smoke alarm is in perfect condition.

Warning:

In order to prevent injuries, this device must be reliably secured to the ceiling in accordance with the assembly instructions. Batteries may not be exposed to excessive heat such as sunlight, fire or the like.

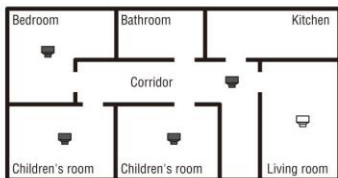
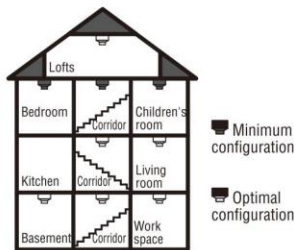
Technical data

Device: RM C 9010
 Tested according to: DIN EN 14604:2005/AC:2008
 Area of application: according to DIN 14676
 Audible alarm: approx. 85 dB (3 m distance)
 Power supply: 9 V DC zinc-carbon battery
 Operating life: at least 1 year

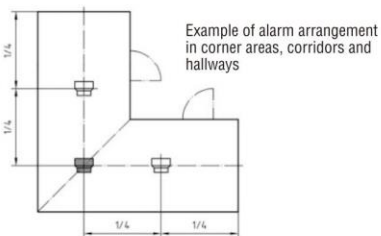
Choosing the installation site

Smoke alarm installation sites are regulated on a mandatory basis in application standard DIN EN 14676 which is valid in Germany.

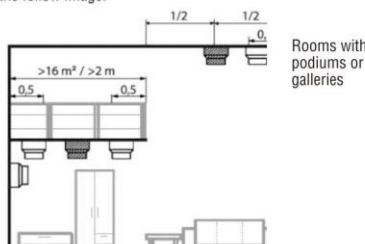
- To provide comprehensive protection smoke detectors should be installed in all rooms, corridors, storage areas and basements. In rooms greater than 60 m² or corridors longer than 10 m, the use of more than one smoke alarm is recommended.
- You should at least provide minimum protection and install a smoke detector in every bedroom and children's room, as well as in corridors used as emergency routes.
- For optimal protection there should be at least one smoke detector installed in every room and corridor.



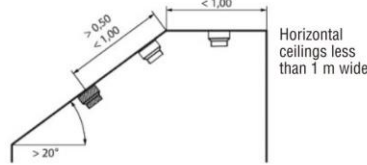
- In corridors and hallways with a max. width of 3 m, the distance between two smoke alarms may be max. 15 m. The distance of the alarm from the front of the corridor or hallway must not exceed 7.5 m. One alarm each must be installed at intersections, T-junctions and in corner areas (miter line) in hallways and corridors. An example of the arrangement is illustrated in the following figure:



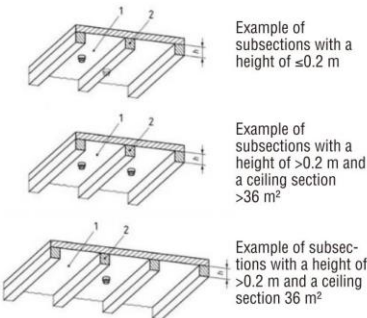
- If the length and width of a gallery exceeds more than 2 m and the total surface area of the gallery is more than 16 m², an additional alarm must be installed under the gallery. See the follow image:



- In rooms with partially slanted ceilings, the following applies: if the horizontal ceiling is less than 1 m wide, install the alarm as illustrated in the following picture. If the horizontal ceiling is wider than 1 m, then install the alarm in the centre of the horizontal ceiling. See the follow image:



- If the height of the room is more than 6m, please use an additional smoke alarm.
- Since smoke rises upwards, smoke alarms must always be installed on the ceiling, and if possible in the middle of the room in a level position. According to DIN EN 14676, a distance of at least 0.5 m must be maintained from all fittings on the ceiling and walls.
- Do not install under the ridge of a roof (place at least 30-50 cm below the ridge), near air ducts, or in areas with a strong draught.
- If ceiling beams with a height of more than 20cm and the individual ceiling sections between the beams have a surface area of more than 36m², additional smoke alarms must be installed on the sections of the ceiling. If the height of the ceiling beams is less than 20cm, install a smoke alarm in the centre of the ceiling and not on a beam.



1 = ceiling section
 2 = subsection
 h = height Installation locations

Installation sites to be avoided

- Do not install smoke alarms in drafty areas, e.g. near air conditioning and ventilation openings.
- In bathrooms, shower rooms or rooms in which the temperature exceeds 45° C or drops below 5° C.
- Not in the peak of a ceiling in which smoke-free air might accumulate in the event of a fire.
- In kitchens, garages, laundry rooms or boiler rooms, cooking vapors, vehicle exhaust, dust and moisture can trigger a false alarm.
- In very dusty or dirty areas. Dirt and dust can accumulate and negatively impact the functional safety.
- At a distance of less than 1.50 m from fluorescent lamps.

Installation and commissioning of the smoke alarm.

The included mounting material is suitable for concrete ceilings. For other subsurfaces, appropriate mounting material must be purchased from a specialist dealer.

- Mark the position of the smoke alarm on the ceiling and drill
- Drill holes with a depth of 25-30 mm using a 5.5 mm bit (concrete ceiling) or a depth of approx. 20 mm using a 2.5 mm bit (wood paneling or beams).
- Insert dowels into the holes.
- Screw the holder onto the ceiling.
- Insert the battery included in the delivery into the smoke alarm.
- Place the smoke detector onto the holder and turn clockwise until it snaps in place. The system is fitted with a safety feature, which prevents the system from being attached to the installation plate if a battery has not been inserted.
- During normal operation, the LED flashes once every 32 seconds.

User information

- The smoke alarm only works if the battery is installed.
- The smoke alarm can only trigger an alarm if it detects smoke or burning item in the air. The alarm does not react to heat, flames or gas.
 In the event of an alarm, a loud signal is produced, which stops as soon as the air is clear again.

Function test

- Test the unit by pressing the test button for at least 4 seconds until an alarm sounds. The alarm will sound three times; then there will be a 1.5 second pause. This interval repeats until the button is released. If no signal or another signal sounds, the unit is defective or the battery is spent.
- During the test, stay an arm's length from the smoke alarm.
- Testing the unit weekly is recommended in order to ensure it functioning properly.
- If the functional test is not successful, the smoke alarm must be replaced.

Replacing the battery

The 9 V DC battery provided for the smoke alarm should last at least one year if used normally. The smoke alarm has a low-battery indicator. An audible signal sounds at a 32-second interval. Replace the battery when you hear this signal.

- Remove the smoke alarm from the base by turning it counter-clockwise.
- Remove the battery.
- Install the new battery.
- Place the smoke alarm on the base and turn it clockwise until it clicks into place.
- Perform a function test. (See "Function test" chapter)

Maintenance and care

- In addition to the regular tests, the battery has to be replaced every year. (See chapter "Replacing the battery")
- The smoke alarm must be cleaned at least once a month. Remove the battery before cleaning. Remove the dust using a soft cloth. If necessary, remove dirt using a moist rag. Do not use any solvents and make sure no water can get into the unit. Install the battery after cleaning and perform a functional test (see "Function test" chapter).

Meanings of signals/fault description

Display	Meaning	Solution
Continuous, pulsating tone.	Alarm or test function has been triggered.	Immediately leave the hazard zone or release the test button (functional test).
Audible signal produced every 32 seconds.	The battery is low.	Replace the battery. See chapter "Replacing the battery".
The signal sounds three times every 1.5 seconds	The smoke alarm is performing a functionality test	Release the test button, in order to end the function test.

Important notices

- Do not under any circumstances open the casing of the smoke alarm in order to clean the inner parts. This can cause damage or reduce the operating life of the smoke alarm.
- Smoke alarms should be replaced every 10 years.
- The smoke alarm must not be covered or painted over.

Evacuation plan

We recommend establishing an evacuation plan together with the other residents. Be careful to ensure that there will not under any circumstances be any obstacles to the evacuation route in the event of a fire. It must also be the quickest and safest route into the open air.

Disposal

At the end of the product's service life, it may not be disposed of with the normal house trash. The product must be disposed of at a depot for electrical and electronic equipment processing. Ask your city or municipal administration regarding options for environmental and proper disposal of the product.

Manufacturer's warranty

Marked devices have a 3-year manufacturer warranty from the purchase date. Please keep the purchase receipt as verification. The warranty only applies to material or manufacturing defects if the unit is properly used. The warranty is void in the event of unauthorized intervention. Your statutory rights are not limited by this warranty. Provided rechargeable batteries, batteries and illuminants are not covered by the manufacturer warranty.

Service address

Hugo Brennenstuhl GmbH & Co. KG
 Seestraße 1-3
 D-72074 Tübingen
 www.brennenstuhl.com

Declaration of conformity

The conformity declaration is stored by the manufacturer.

Declaration of performance

You can download the declaration of performance at www.brennenstuhl.com directly under article RM C 9010 / article no. 1 29008 0.

Manufacturer

Hugo Brennenstuhl GmbH & Co. KG
 Seestraße 1-3
 D-72074 Tübingen

