

Silicon NPN Power Transistors

BU2520AF

DESCRIPTION

- With TO-3PFa package
- High voltage
- High speed switching

APPLICATIONS

- For use in horizontal deflection circuits of large screen colour TV receivers.

PINNING

PIN	DESCRIPTION
1	Base
2	Collector
3	Emitter

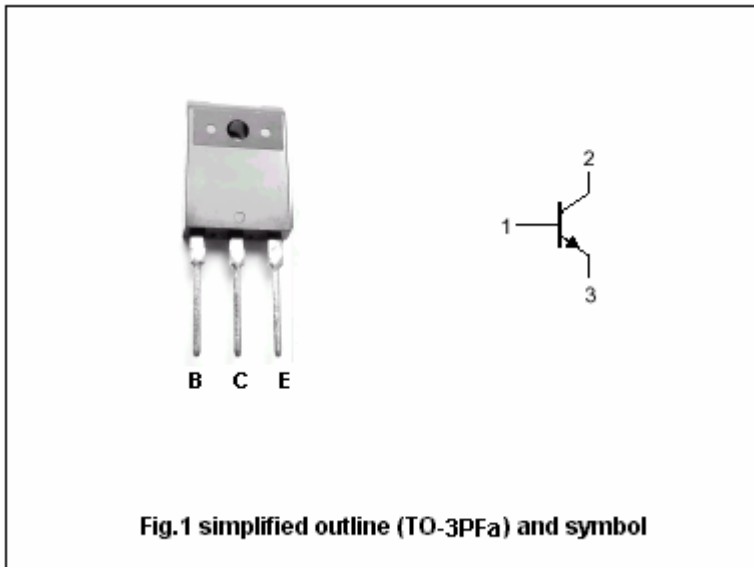


Fig.1 simplified outline (TO-3PFa) and symbol

Absolute maximum ratings(Ta=25°C)

SYMBOL	PARAMETER	CONDITIONS	VALUE	UNIT
V <sub>CBO</sub>	Collector-base voltage	Open emitter	1500	V
V <sub>CEO</sub>	Collector-emitter voltage	Open base	800	V
V <sub>EBO</sub>	Emitter-base voltage	Open collector	7.5	V
I <sub>C</sub>	Collector current (DC)		10	A
I <sub>CM</sub>	Collector current (Pulse)		25	A
I <sub>B</sub>	Base Collector current (DC)		6	A
I <sub>BM</sub>	Base current (Pulse)		9	A
P <sub>tot</sub>	Total power dissipation	T <sub>C</sub> =25°C	45	W
T <sub>j</sub>	Max.operating junction temperature		150	°C
T <sub>stg</sub>	Storage temperature		-65~150	°C

## Silicon NPN Power Transistors

## BU2520AF

## CHARACTERISTICS

T<sub>j</sub>=25°C unless otherwise specified

SYMBOL	PARAMETER	CONDITIONS	MIN	TYP.	MAX	UNIT
V <sub>CEO(SUS)</sub>	Collector-emitter sustaining voltage	I <sub>C</sub> =100mA ; I <sub>B</sub> =0, L=25mH	800			V
V <sub>EBO</sub>	Emitter-base breakdown voltage	I <sub>B</sub> =1mA ; I <sub>C</sub> =0	7.5	13.5		V
V <sub>CEsat</sub>	Collector-emitter saturation voltage	I <sub>C</sub> =6A ; I <sub>B</sub> =1.2 A			5.0	V
V <sub>BEsat</sub>	Base-emitter saturation voltage	I <sub>C</sub> =6A ; I <sub>B</sub> =1.2 A			1.1	V
I <sub>CES</sub>	Collector cut-off current	V <sub>CE</sub> =BV <sub>CES</sub> ; V <sub>BE</sub> =0 T <sub>j</sub> =125°C			1.0 2.0	mA
I <sub>EBO</sub>	Emitter cut-off current	V <sub>EB</sub> =7.5V; I <sub>C</sub> =0			1.0	mA
h <sub>FE-1</sub>	DC current gain	I <sub>C</sub> =0.1A ; V <sub>CE</sub> =5V		13		
h <sub>FE-2</sub>	DC current gain	I <sub>C</sub> =6A ; V <sub>CE</sub> =5V	5	7	9.5	
C <sub>C</sub>	Collector capacitance	I <sub>E</sub> =0; f=1MHz; V <sub>CB</sub> =10V		115		pF

Silicon NPN Power Transistors

BU2520AF

PACKAGE OUTLINE

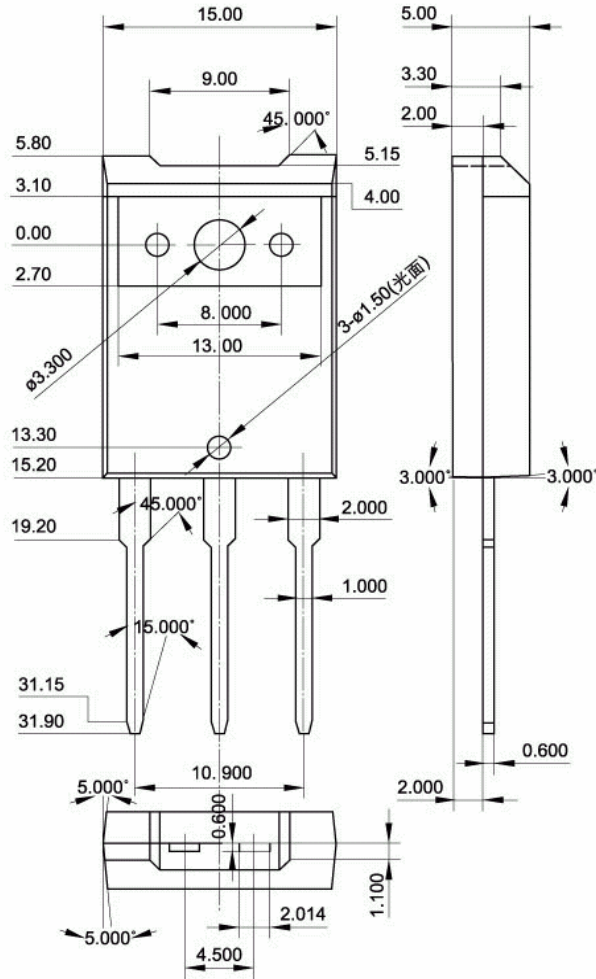


Fig.2 Outline dimensions (unindicated tolerance:±0.30mm)