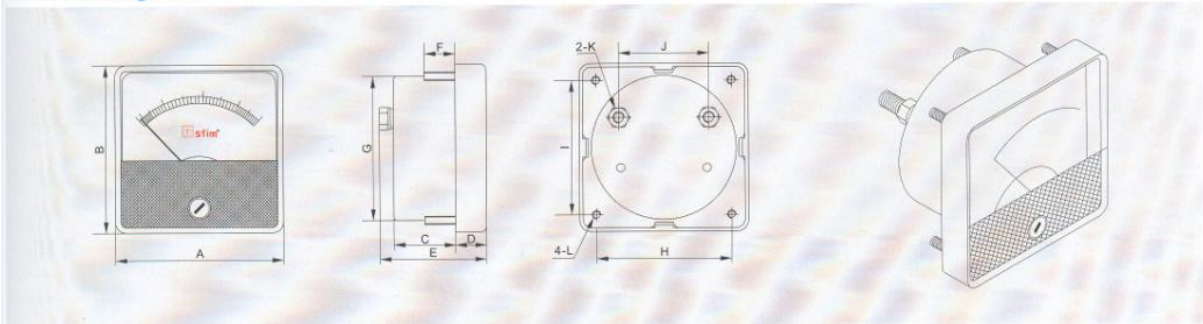


## Square or Rectangular Panel Meter



Model	Name	Specification		Accuracy
SF-80 SF-670 SF-60 SF-50	AC Ammeter	From 10A, 15A, 20A, 30A... to 3000A, 5000A	With Ext. CT/1A or 5A	Class: 2.5
		From 0. 1A, 0. 5A, 1A, 5A, 10A, 25A... to 80A, 100A	AC Direct Connection	Class: 2.5
	DC Ammeter	From 50 $\mu$ A, 100 $\mu$ A, 1mA, 5mA... 1A, 5A, 10A, 25A, 30A... to 100A	DC Direct Connection	Class: 2.5
		From 10A, 15A, 20A, 30A... 2500A, 3000A... to 8KA, 10KA	With Ext. Shunt 50mV, 60mV, 75mV	Class: 2.5
	AC Voltmeter	From 30V, 50V, 75V, 100V... to 300V, 500V, 600V	AC Direct Connection	Class: 2.5
		From 1KV, 2KV, 5KV... to 380KV, 450KV	With Ext. PT	Class: 2.5
	DC Voltmeter	From 10V, 20V, 30V... to 500V, 600V, 1000V	DC Direct Connection	Class: 2.5
		From 1KV, 2KV, 5KV... to 8KV, 9KV, 10KV	With Ext. Resistor	Class: 2.5
Frequency Meter	Voltage: 110V, 220V, 380V, 440V	.....	Class: 2.5	
Power Factor Meter (cos $\phi$ )	Frequency: 45-65Hz, 45-65Hz, 55-65Hz, 47-53Hz	For 1-Phase or 3-Phase	Class: 2.5	
Power Meter (KW or VAR)	Voltage: 110V, 220V, 380V, 440V Current: 1A or 5A			
		Scale: 0. 5cap-1-0. 5ind, 0. 3cap-1-0. 1ind, 0. 7cap-1-0. 2ind	For 1P, 3P3W, 3P4W	Class: 2.5
	Voltage: 110V, 220V, 380V, 440V Current: 1A or 5A	With CT or PT		

### Outline Drawing unit:mm



Model	A	B	C	D	E	F	G	H	I	J	K	L
SF-80	80	80	23	13	49	13	63	65	65	24	M5 Outside	M3
SF-670	70	60	22	11	45	10	51	50	50	31	M4 Inside	M3
SF-60	60	60	22	11	39	11	51	48	48	25	M4 Inside	M3
SF-50	52	52	22	11	39	10	44	38	38	31	M4 Inside	M3