

# AN6557, AN6558, AN6558S

## Dual Low Noise, High Slew Rate Operational Amplifiers

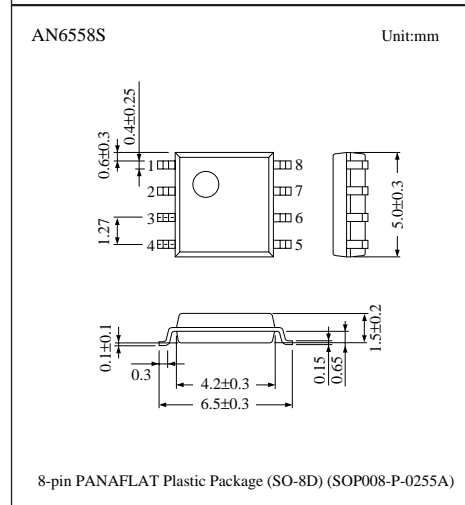
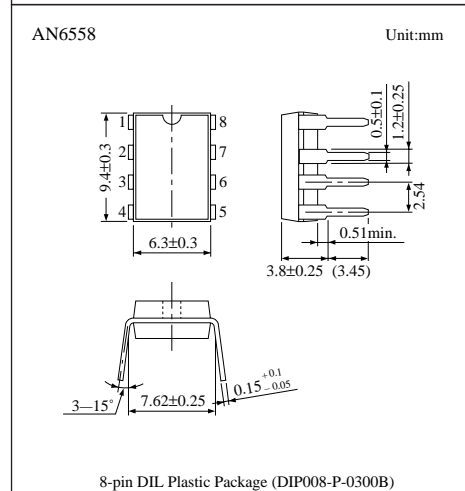
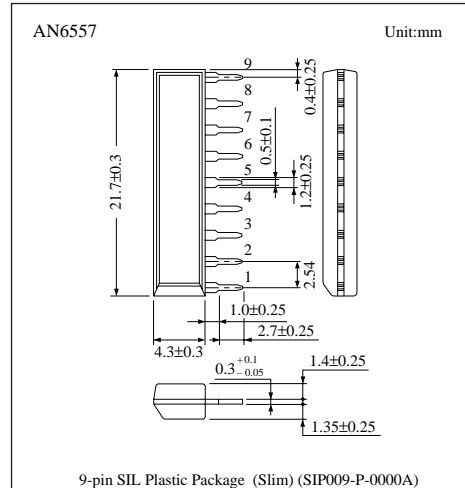
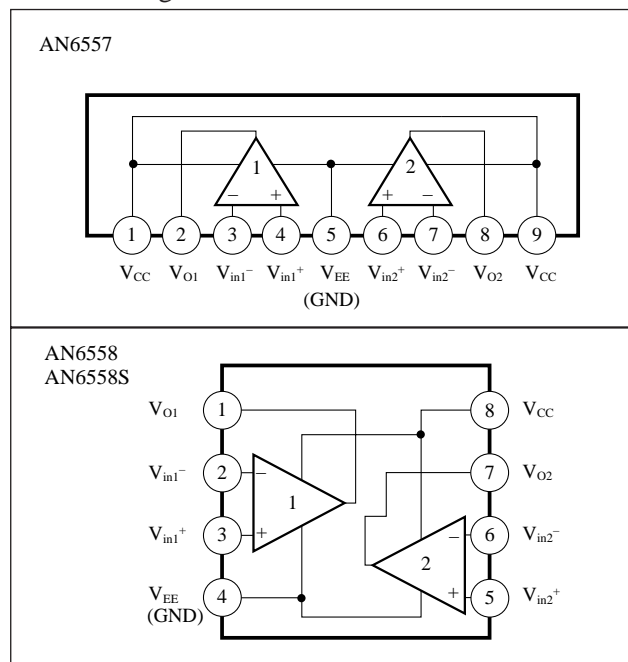
### Overview

The AN6557, the AN6558, and the AN6558S are low noise, high slew rate dual operational amplifiers with phase compensation circuits built-in. They are suitable for application to various electronic circuits such as active filters and audio preamplifiers. Moreover, they are high output current type and can also be used as head-phone amplifiers.

### Features

- Phase compensation circuit
- High voltage gain:  $G_v=100\text{dB}$  typ.
- Low noise:  $V_{ni}=0.9\mu\text{V}_{\text{rms}}$  typ.
- High slew rate:  $SR=6\text{V}/\mu\text{s}$  typ.
- High output current:  $I_o=25\text{mA}$  typ.

### Block Diagram



## ■ Pin Descriptions

〈AN6557〉

Pin No.	Pin name
1	V <sub>CC</sub>
2	Ch. 1 output
3	Ch. 1 inverting input
4	Ch. 1 non inverting input
5	V <sub>EE</sub> (GND)
6	Ch. 2 non inverting input
7	Ch. 2 inverting input
8	Ch. 2 output
9	V <sub>CC</sub>

〈AN6558, AN6558S〉

Pin No.	Pin name
1	Ch. 1 output
2	Ch. 1 inverting input
3	Ch. 1 non inverting input
4	V <sub>EE</sub> (GND)
5	Ch. 2 non inverting input
6	Ch. 2 inverting input
7	Ch. 2 output
8	V <sub>CC</sub>

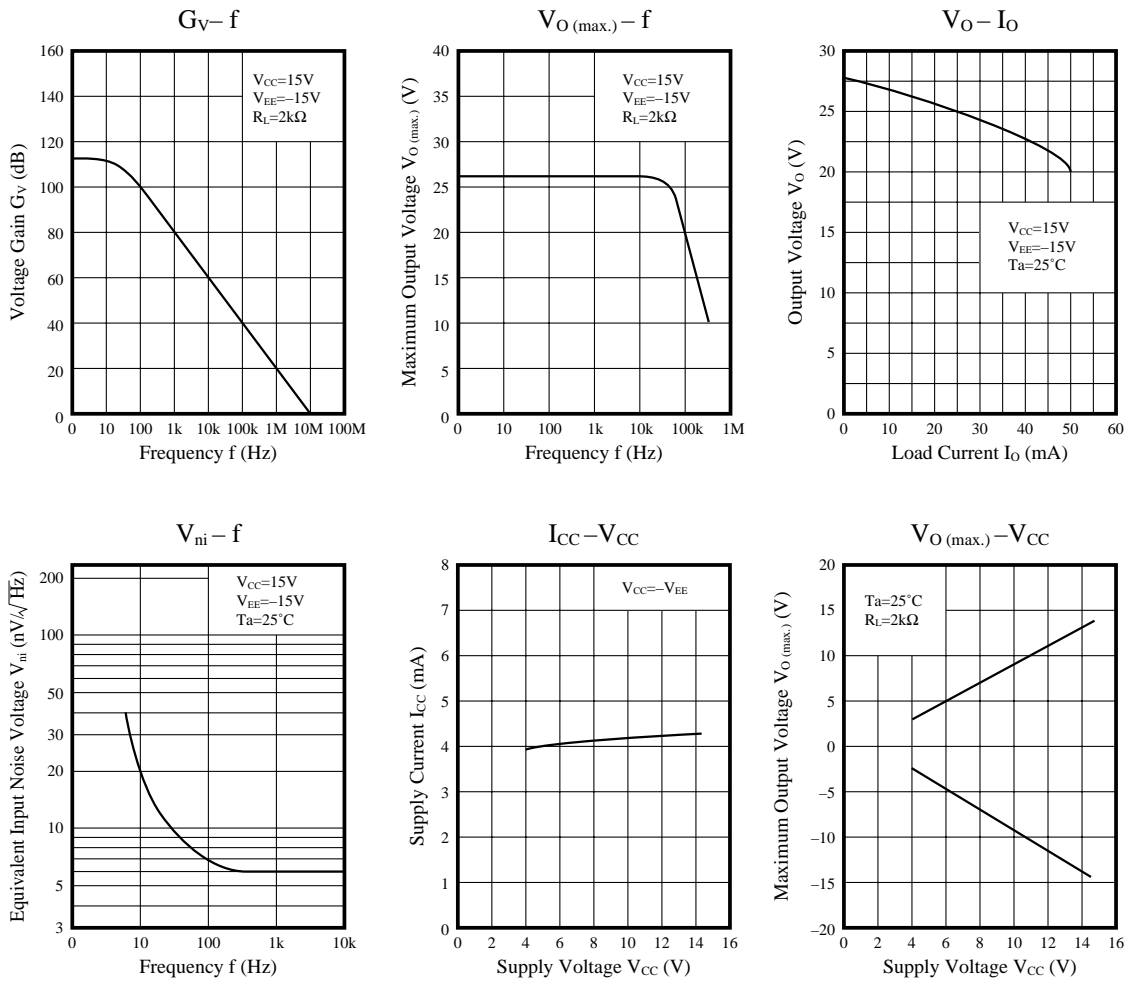
## ■ Absolute Maximum Ratings (Ta=25°C)

Parameter		Symbol	Rating	Unit
Voltage	Supply voltage	V <sub>CC</sub>	±18	V
	Differential input voltage	V <sub>ID</sub>	±30	V
	Common-mode input voltage	V <sub>ICM</sub>	±15	V
Power dissipation	AN6557, AN6558	P <sub>D</sub>	500	mW
	AN6558S		360	
Operating ambient temperature		T <sub>opr</sub>	-20 to +75	°C
Storage temperature	AN6557, AN6558	T <sub>stg</sub>	-55 to +150	°C
	AN6558S		-55 to +125	

## ■ Electrical Characteristics (V<sub>CC</sub>=15V, V<sub>EE</sub>=-15V, Ta=25°C)

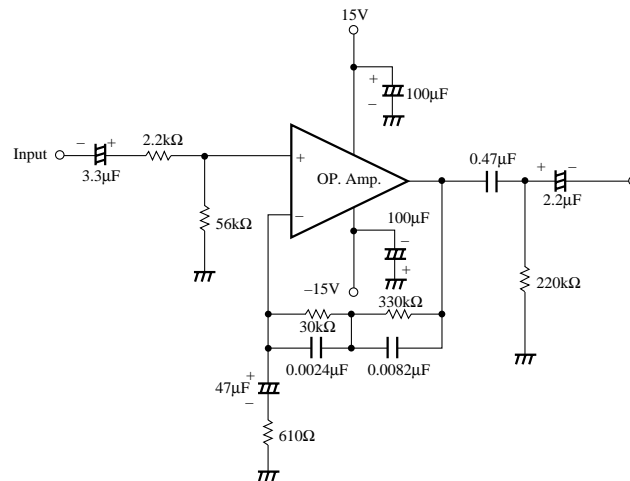
Parameter	Symbol	Condition	min	typ	max	Unit
Input offset voltage	V <sub>I (offset)</sub>	R <sub>S</sub> ≤ 10kΩ	—	0.3	3	mV
Input offset current	I <sub>IO</sub>		—	10	200	nA
Input bias current	I <sub>Bias</sub>		—	1300	2000	nA
Voltage gain	G <sub>V</sub>	R <sub>L</sub> ≥ 2kΩ, V <sub>O</sub> = ±10V	86	100	—	dB
Maximum output voltage	V <sub>O (max.)</sub>	R <sub>L</sub> ≥ 10kΩ	±12	±14	—	V
		I <sub>O</sub> = 25mA	±10	±12	—	V
Common-mode input voltage width	V <sub>CM</sub>		±12	±14	—	V
Common-mode rejection ratio	CMR		70	100	—	dB
Supply voltage rejection ratio	SVR		—	10	150	μV/V
Power consumption	P <sub>C</sub>	R <sub>L</sub> = ∞	—	150	240	mW
Slew rate	SR	R <sub>L</sub> ≥ 2kΩ	—	6	—	V/μs
Equivalent input noise voltage	V <sub>ni</sub>	R <sub>S</sub> = 1kΩ, DIN/AUDIO	—	0.9	—	μVrms

## ■ Characteristics Curve



## ■ Application Circuit

RIAA Amplifier



This datasheet has been download from:

[www.datasheetcatalog.com](http://www.datasheetcatalog.com)

Datasheets for electronics components.