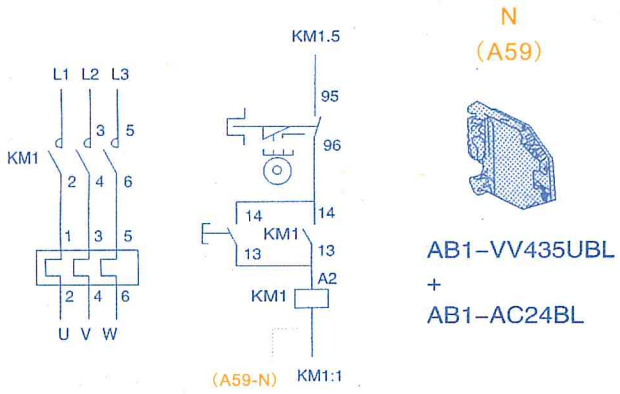
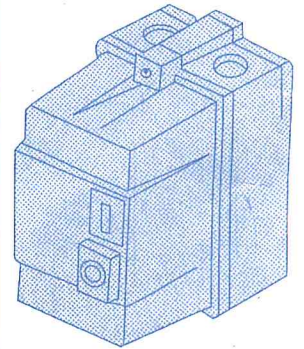


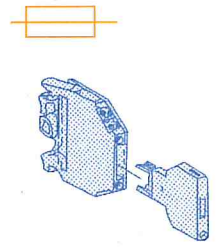
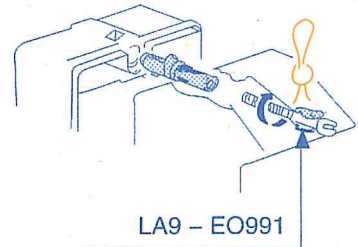
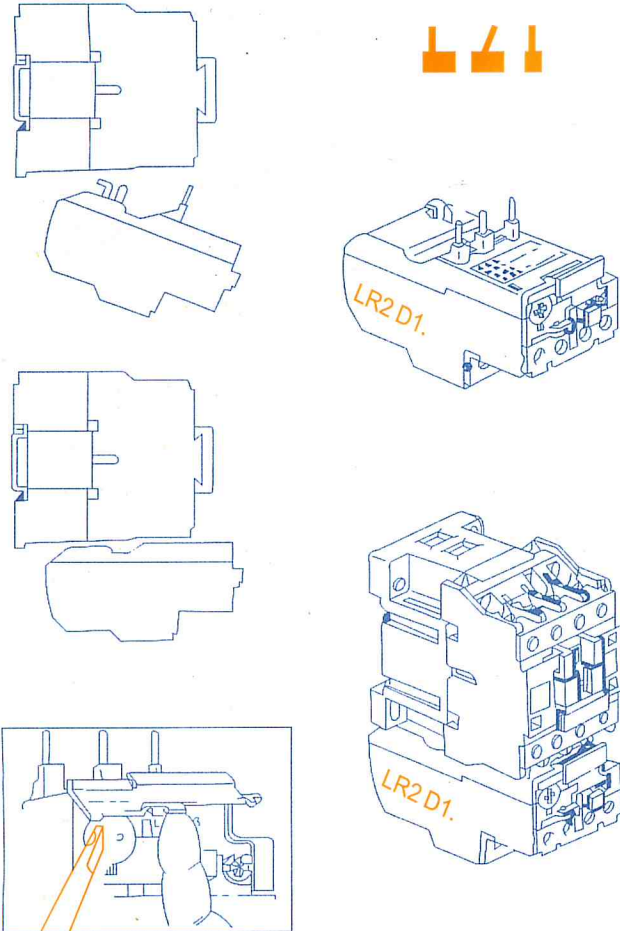
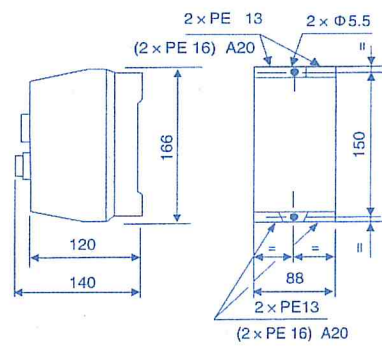
3 ~ 50/60 Hz  $\theta \leq 55^\circ\text{C}$  AC3

Le1 D--	220/230V		380/400V		415V		440V		500V		LR20...	aM A
	KW	HP/Ch	KW	HP/Ch	KW	HP/Ch	KW	HP/Ch	KW	HP/Ch		
09	-	-	-	-	-	-	0.37	0.5	0.37	0.5	1305	2
09	-	-	0.37	0.5	-	-	0.05	0.75	0.75	0.75	1306	2
09	0.37	0.5	0.75	1	1.1	1.5	1.1	1.5	1.1	1.5	1307	4
09	0.75	1	1.5	2	1.5	2	1.5	2	2.2	3	1308	6
09	1.1	1.5	2.2	3	2.2	3	2.2	3	3.7	5	1310	8
09	1.5	2	3	4	3.7	5	3.7	5	4	5.5	1312	12
09	2.2	3	4	5.5	4	5.5	4	5.5	5.5	7.5	1314	12
12	3	4	5.5	7.5	5.5	7.5	5.5	7.5	7.5	10	1316	16

LE1 D093  
LE1 D123  
LE1 D094  
LE1 D124



AB1-VV435UBL  
+  
AB1-AC24BL



AB1 - F435U  
+  
AB1 - PS4  
+  
AB1 - SF520

	110V	LA9-D924
	220V	LA9-D925
	330V	LA9-D926

