

LB3500

Monolithic Digital Integrated Circuit
1/8 PRESCALER FOR PLL ELECTRONIC TUNING

The LB3500 is an ECL prescaler with 1/8 frequency division ratio developed for use in PLL electronic tuning FM radio application. Adoption of high performance bipolar process enables the frequency division of 150MHz max.

Features

- . FM frequency can be divided into C-MOS operating frequency.
- . Control pin is provided to inhibit the operation of prescaler when it is not in use.
- . If used in conjunction with our PLL synthesizer LC7220, electronic tuning system can be formed.

Absolute Maximum Ratings at $T_a=25^\circ\text{C}$

Maximum Supply Voltage	V_{CCmax}	8	V
Allowable Power Dissipation	P_{dmax}	$T_a=75^\circ\text{C}$	200 mW
Operating Temperature	T_{opg}	-20 to +80	$^\circ\text{C}$
Storage Temperature	T_{stg}	-40 to +125	$^\circ\text{C}$

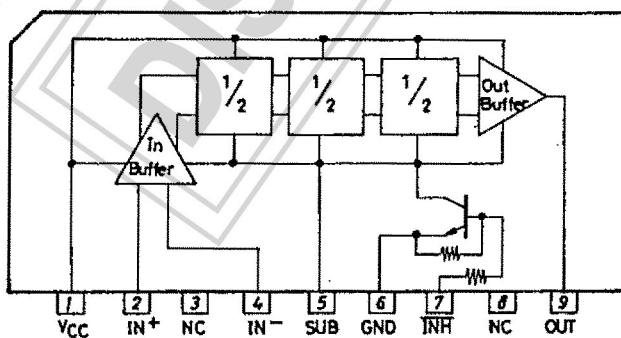
Allowable Operating Condition at $T_a=25^\circ\text{C}$

		min	typ	max	unit
Supply Voltage Range	V_{CC}	4.5		5.5	V

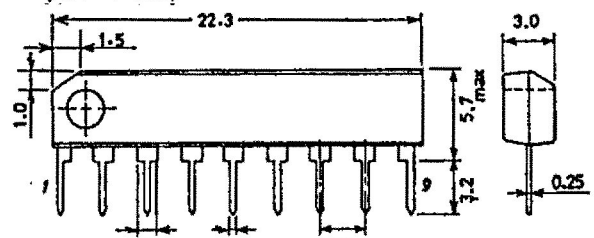
Electrical Characteristics at $T_a=25^\circ\text{C}$

			min	typ	max	unit
Current Dissipation	I_{CC}			16	24	mA
Maximum Operating Frequency	f_{max}	$v_{in}=150mV_{rms}$	150			MHz
Minimum Operating Frequency	f_{min}	$v_{in}=150mV_{rms}$			30	MHz
Input Voltage Range	V_{IN}		100		600	mV_{rms}
Output Amplitude	V_{OUT}		0.9			Vp-p
INH Pin High Level Voltage	$V_{INH(H)}$		3		5.5	V

Equivalent Circuit Block Diagram and Pin Assignment



Case Outline 3017B-S9IC (unit:mm)



SANYO: SEP9

These specifications are subject to change without notice.

TOKYO SANYO ELECTRIC CO., LTD. SEMICONDUCTOR DIVISION
15-13, 6-CHOME, SOTOKANDA, CHIYODA-KU, TOKYO 101 JAPAN

