

SANYO

No.3049B

LC8992

PAL CCD 1H Delay Line

Overview

The LC 8992 is a 1H delay line for PAL television systems. It incorporates a 565.5 stage CCD shift register, timing generator, clock driver, sync clamp and auto-bias circuits, and a sample-and-hold amplifier. Only an external low-pass filter is required to implement a 1H delay line. The LC8992 operates with a single 9V power supply and is available in 8-pin plastic DIPs.

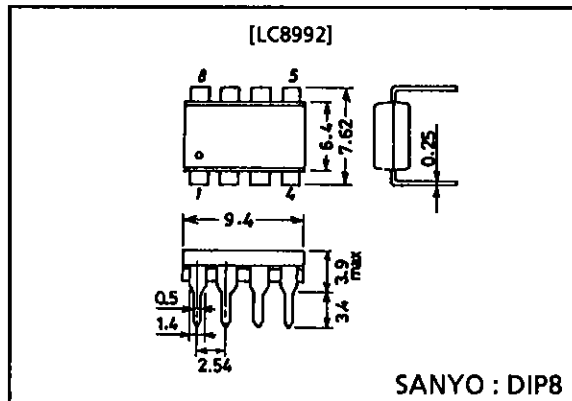
Features

- 1H delay with low-pass filter and 8.86MHz clock.
- Minimum of external components.
- Low clock input voltage.
- Single 9V power supply.
- 8-pin DIP

Package Dimensions

unit : mm

3001B-DIP8

**Specifications**Absolute Maximum Ratings at $T_a = 25^\circ\text{C}$

Parameter	Symbol	Conditions	Ratings	Unit
Maximum supply voltage	$V_{DD\text{ max}}$		11	V
Allowable power dissipation	$P_{d\text{ max}}$		500	mW
Operating temperature	T_{opr}		-10 to +60	$^\circ\text{C}$
Storage temperature	T_{stg}		-55 to +150	$^\circ\text{C}$

Electrical CharacteristicsDC Characteristics at $T_a = 25^\circ\text{C}$, $V_{DD} = 9\text{V}$, clock = 8.8672375MHz : 0.3Vp-p

Parameter	Symbol	Conditions	min	typ	max	Unit
Supply voltage	V_{DD}		8.5	9.0	9.5	V
Supply current	I_{DD}			20.0	25.0	mA
DC output voltage	V_{GG}			13.5		V
	OUT			3.1		V
	VOB			4.5		V
	$V_{ID\text{ IN}}$			2.8		V
	CLK				2.0	V
	C_{OMP}				2.7	V

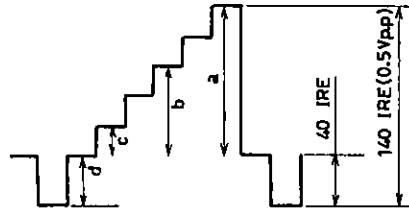
Continued on next page.

LC8992

Continued from preceding page.

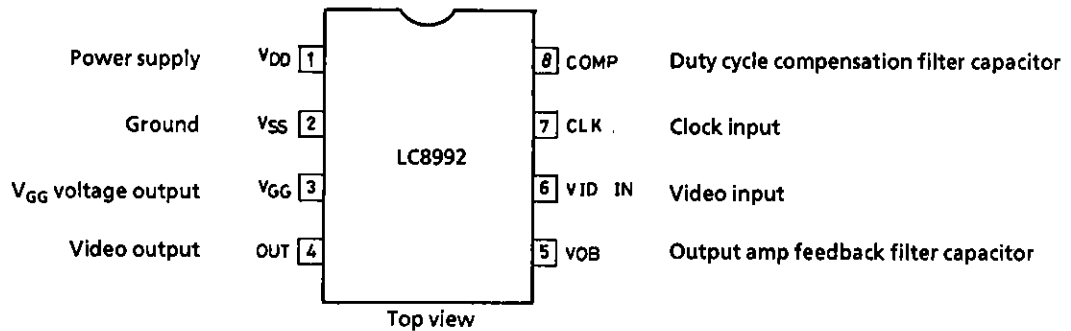
AC Characteristics at $T_a = 25^\circ\text{C}$, $V_{DD} = 9\text{V}$, clock = 8.8672375MHz : 0.3Vp-p

Parameter	Symbol	Conditions	min	typ	max	Unit
Video input voltage	$V_{IN\ max}$			0.5	0.7	Vp-p
Voltage gain	G_V	Input : 15kHz, 0.5Vp-p	6	9	11	dB
Linearity	L6	b/a, See note	56	60	64	%
	L2	c/a, See note	18	20	22	%
	L5	d/a, See note	37	40	43	%
Frequency respons	Gf	0.5Vp-p sine wave input, response at 2.4MHz relative to 20kHz	-3.0	-2.0		dB
Noise voltage	V_{NO}	3.8MHz bandwidth		1.1		mVrms
Clock input voltage	E_{CK}		0.1	0.3	1.0	Vp-p
Output impedance	Z_O			520		Ω
Delay time	t_o			63.90		μs

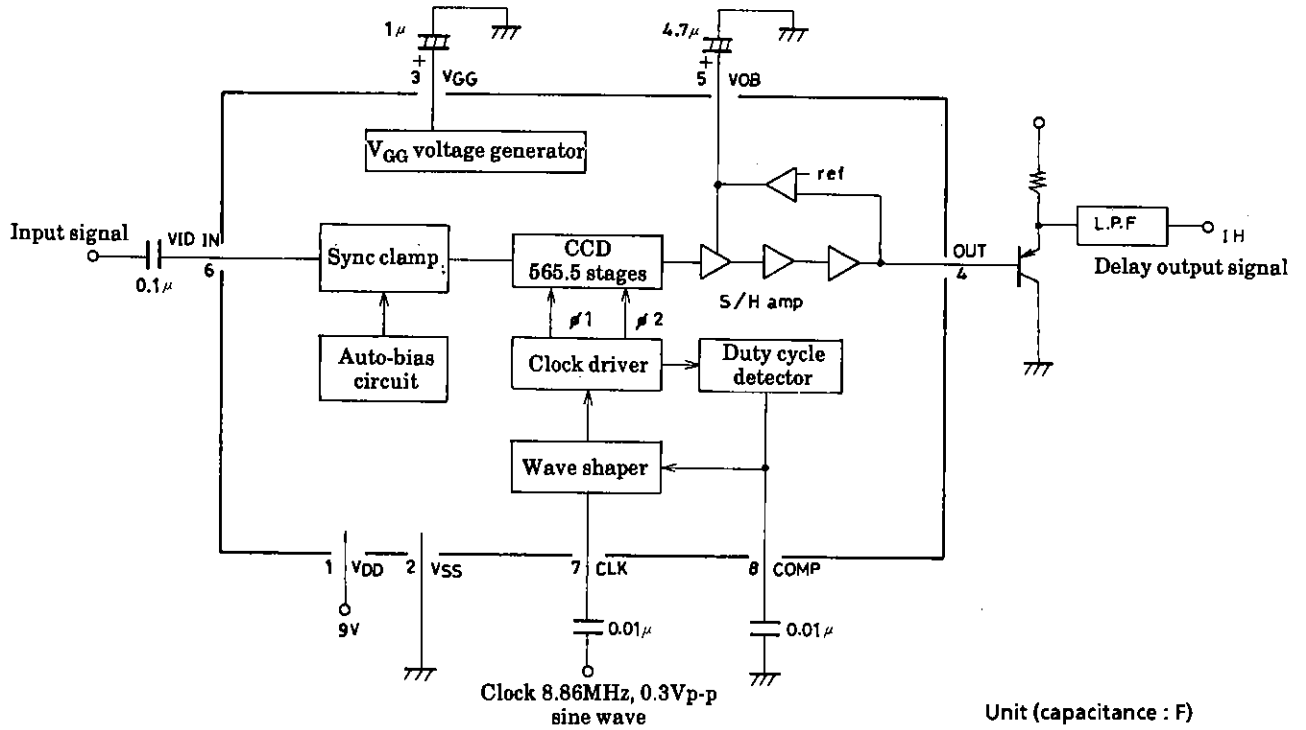


Note) : Linearity test waveform (2.4MHz) / (20kHz)

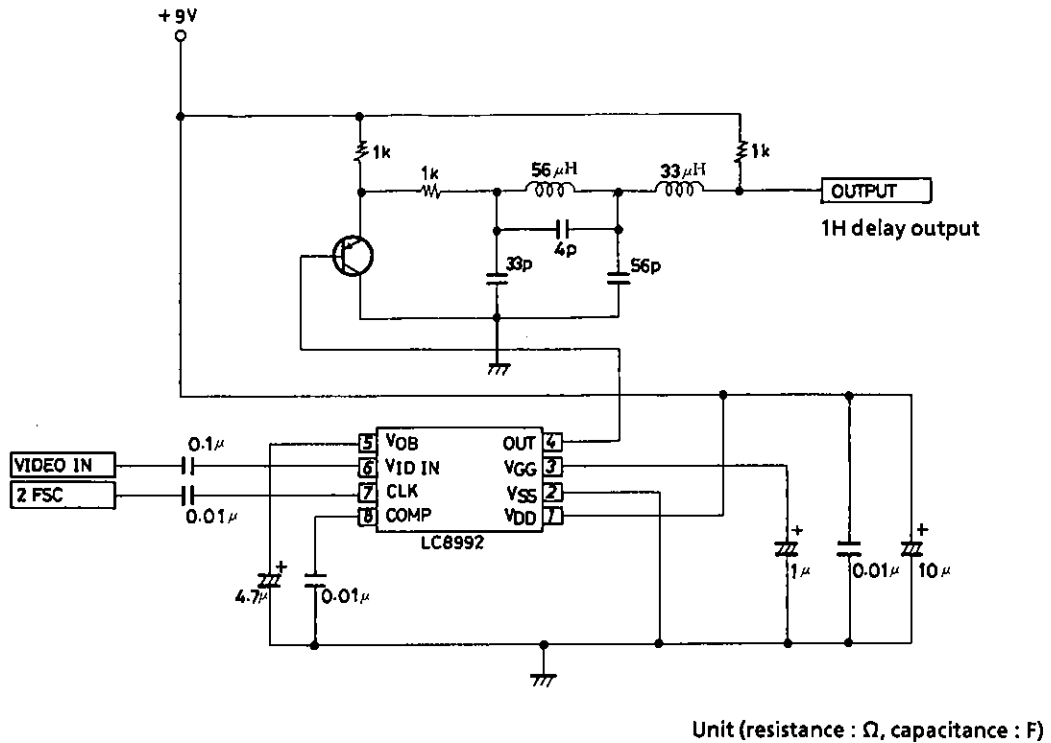
Pin Assignment



Block Diagram



Sample Application Circuit



- No products described or contained herein are intended for use in surgical implants, life-support systems, aerospace equipment, nuclear power control systems, vehicles, disaster/crime-prevention equipment and the like, the failure of which may directly or indirectly cause injury, death or property loss.
- Anyone purchasing any products described or contained herein for an above-mentioned use shall:
 - ① Accept full responsibility and indemnify and defend SANYO ELECTRIC CO., LTD., its affiliates, subsidiaries and distributors and all their officers and employees, jointly and severally, against any and all claims and litigation and all damages, cost and expenses associated with such use:
 - ② Not impose any responsibility for any fault or negligence which may be cited in any such claim or litigation on SANYO ELECTRIC CO., LTD., its affiliates, subsidiaries and distributors or any of their officers and employees jointly or severally.
- Information (including circuit diagrams and circuit parameters) herein is for example only; it is not guaranteed for volume production. SANYO believes information herein is accurate and reliable, but no guarantees are made or implied regarding its use or any infringements of intellectual property rights or other rights of third parties.

This catalog provides information as of **December, 1995**. Specifications and information herein are subject to change without notice.