

Distributed by:

JAMECO[®]
ELECTRONICS

www.Jameco.com ♦ 1-800-831-4242

The content and copyrights of the attached
material are the property of its owner.

Jameco Part Number 889639



LM193, LM193A, LM293, LM293A, LM393, LM393A

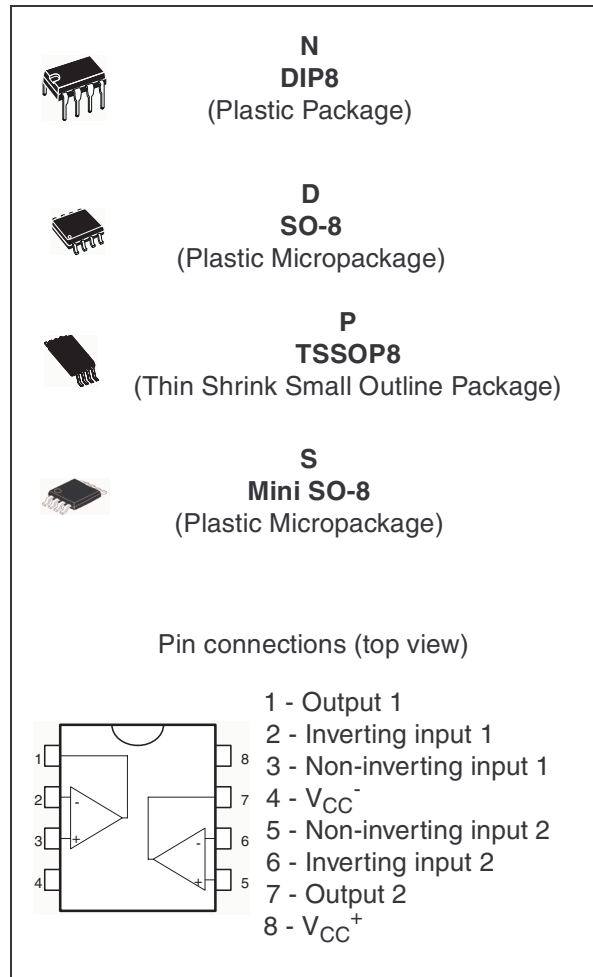
Low Power Dual Voltage Comparators

- Wide single-supply voltage range or dual supplies: +2V to +36V or $\pm 1V$ to $\pm 18V$
- Very low supply current (0.4mA) independent of supply voltage (1mW/comparator at +5V)
- Low input bias current: 25nA typ.
- Low input offset current: $\pm 5nA$ typ.
- Low input offset voltage: $\pm 1mV$ typ.
- Input common-mode voltage range includes ground
- Low output saturation voltage: 250mV typ. ($I_o = 4mA$)
- Differential input voltage range equal to the supply voltage
- TTL, DTL, ECL, MOS, CMOS compatible outputs

Description

These devices consist of two independent low voltage comparators designed specifically to operate from a single supply over a wide range of voltages. Operation from split power supplies is also possible.

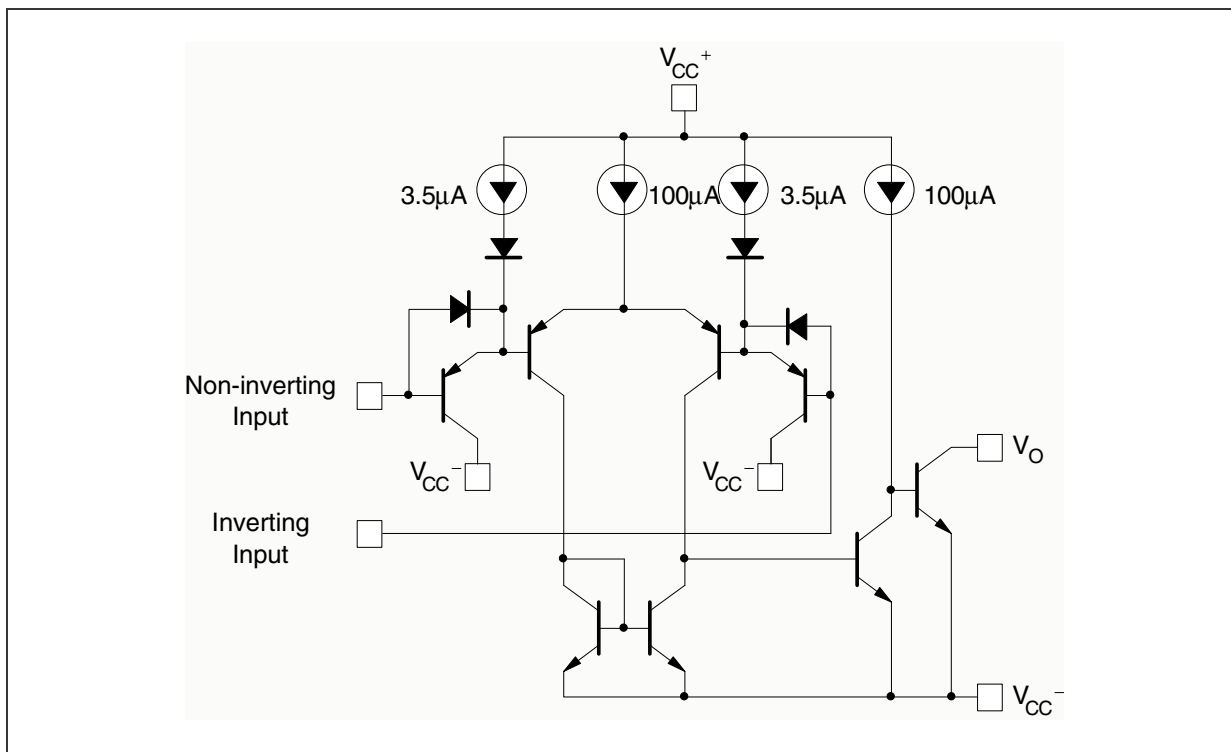
These comparators also have a unique characteristic in that the input common-mode voltage range includes ground even though operated from a single power supply voltage.



1 Order Codes

| Part Number | Temperature Range | Package | Packing | Marking |
|------------------|-------------------|--|---------------------|---------|
| LM193AD/LM193ADT | -55°C, +125°C | SO-8 | Tube or Tape & Reel | |
| LM193AN | | DIP8 | Tube | |
| LM193D/LM193DT | | SO-8 | Tube or Tape & Reel | |
| LM193N | | DIP8 | Tube | |
| LM293AD/LM293ADT | -40°C, +105°C | SO-8 | Tube or Tape & Reel | |
| LM293AN | | DIP8 | Tube | |
| LM293D/LM293DT | | SO-8 | Tube or Tape & Reel | |
| LM293N | | DIP8 | Tube | |
| LM293PT | | TSSOP8 (Thin Shrink Outline Package) | Tape & Reel | |
| LM293ST | | Mini SO-8 | Tape & Reel | |
| LM393AD/LM393ADT | 0°C, +70°C | SO-8 | Tube or Tape & Reel | |
| LM393D/LM393DT | | SO-8 | Tube or Tape & Reel | |
| LM393N | | DIP8 | Tube | |
| LM393PT | | TSSOP8 (Thin Shrink Outline Package) | Tape & Reel | |
| LM393ST | | Mini SO-8 | Tape & Reel | |
| LM393YDT/YD | -40°C, +125°C | SO-8 (automotive grade level) | Tube or Tape & Reel | |

2 Schematic Diagram (1/2 LM193)



3 Absolute Maximum Ratings

Table 1. Key parameters and their absolute maximum ratings

| Symbol | Parameter | Value | Unit |
|-----------|--|----------------|------|
| V_{CC} | Supply Voltage | ± 18 or 36 | V |
| V_{id} | Differential Input Voltage | ± 36 | V |
| V_i | Input Voltage | -0.3 to +36 | V |
| | Output Short-circuit to Ground - note ⁽¹⁾ | Infinite | |
| P_d | Power Dissipation ⁽²⁾ | | mW |
| | DIP-8 | 1250 | |
| | SO-8 | 710 | |
| | TSSOP8 | 625 | |
| | Mini SO-8 | 580 | |
| T_{stg} | Storage Temperature Range | -65 to +150 | °C |

- Short-circuits from the output to V_{CC}^+ can cause excessive heating and eventual destruction. The maximum output current is approximately 20mA independent of the magnitude of V_{CC}^+ .
- P_d is calculated with $T_{amb} = +25^\circ\text{C}$, $T_j = +150^\circ\text{C}$ and
 $R_{thja} = 100^\circ\text{C/W}$ for DIP8 package
 $R_{thja} = 175^\circ\text{C/W}$ for SO-8 package
 $R_{thja} = 200^\circ\text{C/W}$ for TSSOP8 package
 $R_{thja} = 215^\circ\text{C/W}$ for Mini SO-8 package

Table 2. Operating conditions

| Symbol | Parameter | Value | Unit | |
|------------|--------------------------------------|-----------------------|------|-------------------------|
| V_{icm} | Common Mode Input Voltage Range | 0 to $V_{CC}^+ - 1.5$ | V | |
| T_{oper} | Operating Free-Air Temperature range | LM193, A | °C | |
| | | LM293, A | | -55 to +125 |
| | | LM393, A | | -40 to +105 0 to +70 |

4 Electrical Characteristics

Table 3. $V_{CC}^+ = +5V$, $V_{CC}^- = 0V$, $T_{amb} = +25^\circ C$ (unless otherwise specified)

| Symbol | Parameter | LM193A - LM293A LM393A | | | LM193- LM293 LM393 | | | Unit |
|------------|---|---------------------------|----------|------------------------------------|-----------------------|----------|------------------------------------|---------------|
| | | Min. | Typ. | Max. | Min | Typ. | Max. | |
| V_{io} | Input Offset Voltage - note (1) $T_{amb} = +25^\circ C$ $T_{min} \leq T_{amb} \leq T_{max}$ | | 1 | 2 4 | | 1 | 5 9 | mV |
| I_{io} | Input Offset Current $T_{amb} = +25^\circ C$ $T_{min} \leq T_{amb} \leq T_{max}$ | | 3 | 25 100 | | 5 | 50 150 | nA |
| I_{ib} | Input Bias Current (I^+ or I^-) - note (2) $T_{amb} = +25^\circ C$ $T_{min} \leq T_{amb} \leq T_{max}$ | | 25 | 100 300 | | 25 | 250 400 | nA |
| A_{vd} | Large Signal Voltage Gain $V_{CC} = 15V$, $R_L = 15k\Omega$, $V_o = 1V$ to $11V$ | 50 | 200 | | 50 | 200 | | V/mV |
| I_{CC} | Supply Current (all comparators) $V_{CC} = +5V$, no load $V_{CC} = +30V$, no load | | 0.4 1 | 1 2.5 | | 0.4 1 | 1 2.5 | mA |
| V_{icm} | Input Common Mode Voltage Range - note (3) $V_{CC} = 30V$ $T_{amb} = +25^\circ C$ $T_{min} \leq T_{amb} \leq T_{max}$ | 0 0 | | $V_{CC}^+ - 1.5$ $V_{CC}^+ - 2$ | 0 0 | | $V_{CC}^+ - 1.5$ $V_{CC}^+ - 2$ | V |
| V_{id} | Differential Input Voltage -note (4) | | | V_{CC}^+ | | | V_{CC}^+ | |
| V_{OL} | Low Level Output Voltage $V_{id} = -1V$, $I_{sink} = 4mA$ $T_{amb} = +25^\circ C$ $T_{min} \leq T_{amb} \leq T_{max}$ | | 250 | 400 700 | | 250 | 400 700 | mV |
| I_{OH} | High Level Output Current ($V_{id} = 1V$) $V_{CC} = V_o = 30V$ $T_{amb} = +25^\circ C$ $T_{min} \leq T_{amb} \leq T_{max}$ | | 0.1 | 1 | | 0.1 | 1 | nA μA |
| I_{SINK} | Output Sink Current $V_{id} = 1V$, $V_o = 1.5V$ | 6 | 16 | | 6 | 16 | | mA |
| t_{re} | Response Time - note (5) $R_L = 5.1k\Omega$ connected to V_{CC}^+ | | 1.3 | | | 1.3 | | μs |
| t_{rel} | Large Signal Response Time $R_L = 5.1k\Omega$ connected to V_{CC}^+ , $e_i = TTL$, $V_{(ref)} = +1.4v$ | | 300 | | | 300 | | ns |

- At output switch point, $V_o \approx 1.4V$, $R_s = 0$ with V_{CC}^+ from 5V to 30V, and over the full common-mode range (0V to $V_{CC}^+ - 1.5V$).
- The direction of the input current is out of the IC due to the PNP input stage. This current is essentially constant, independent of the state of the output, so no loading charge exists on the reference of input lines.
- The input common-mode voltage of either input signal voltage should not be allowed to go negative by more than 0.3V. The upper end of the common-mode voltage range is $V_{CC}^+ - 1.5V$, but either or both inputs can go to +30V without damage.
- The response time specified is for a 100mV input step with 5mV overdrive. For larger overdrive signals 300ns can be obtained.
- Positive excursions of input voltage may exceed the power supply level. As long as the other voltage remains within the common-mode range, the comparator will provide a proper output state. The low input voltage state must not be less than -0.3V (or 0.3V below the negative power supply, if used).

Figure 1. Supply current vs. supply voltage

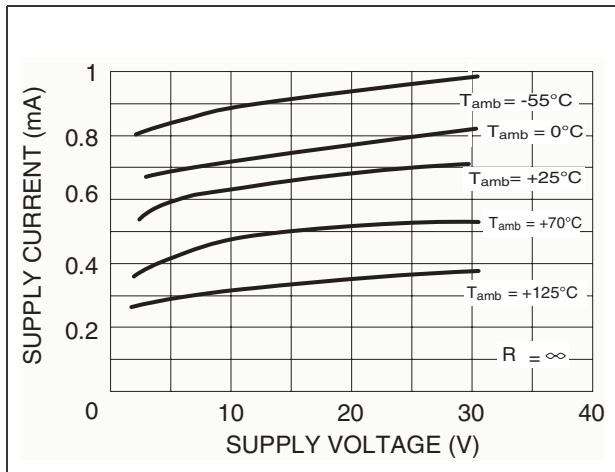


Figure 2. Input current vs. supply voltage

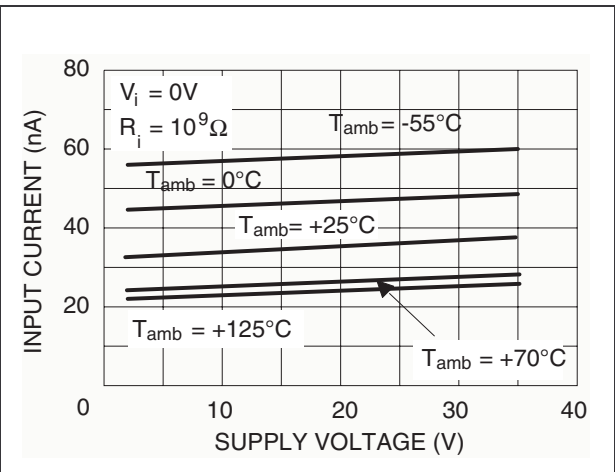


Figure 3. Output saturation voltage vs. frequency

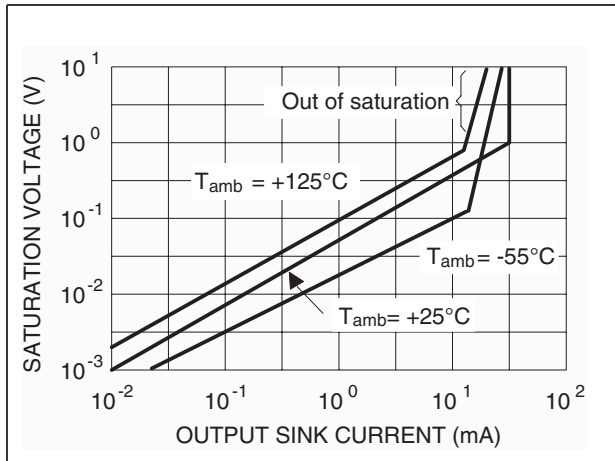


Figure 4. Response time for various input overdrives - negative transition

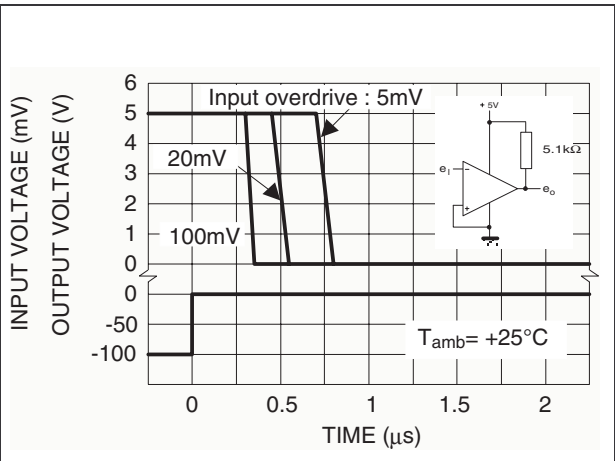
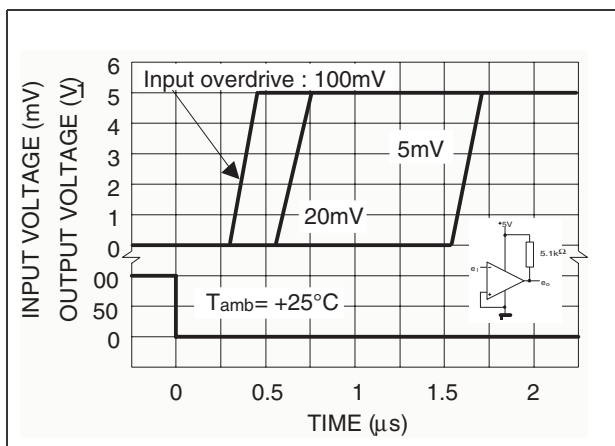


Figure 5. Response time for various input overdrives - positive transition



4.1 Typical applications

Figure 6. Basic comparator

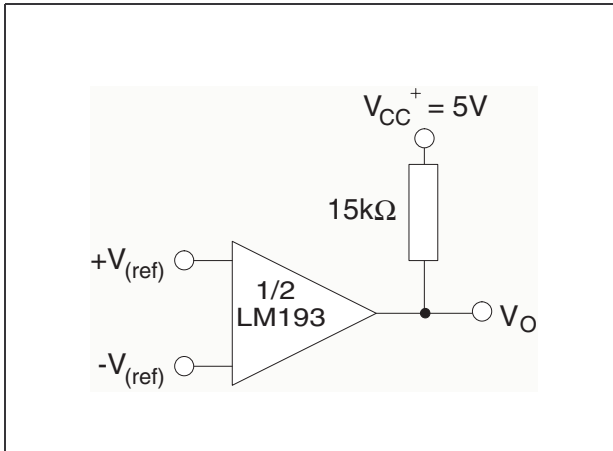


Figure 7. Driving TTL

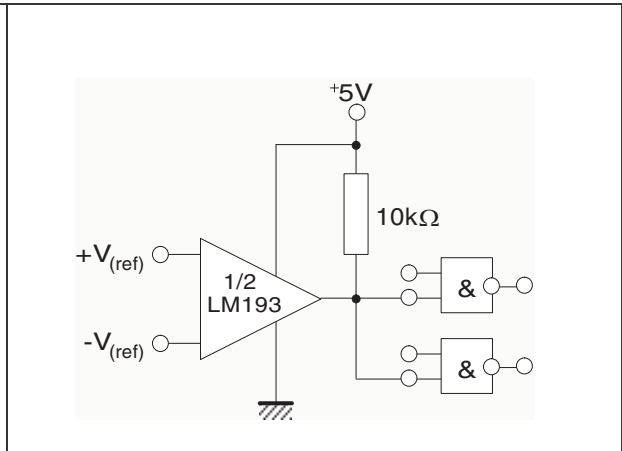


Figure 8. Low frequency op-amp

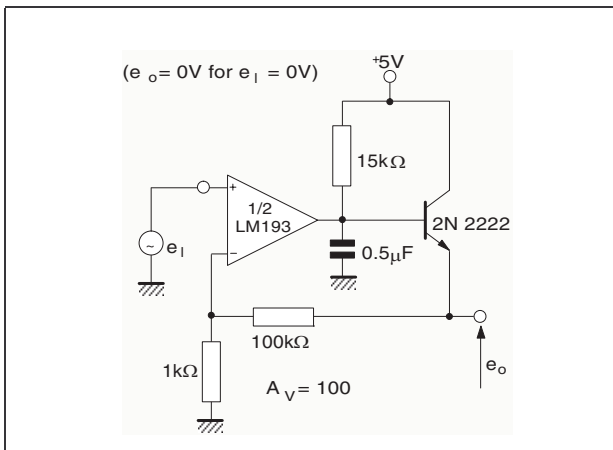


Figure 9. Driving CMOS

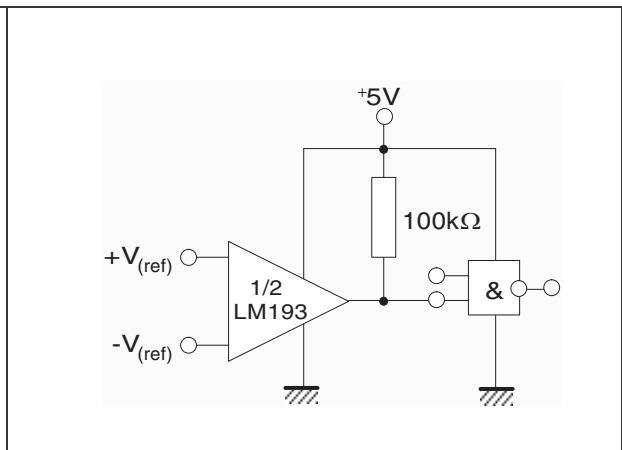


Figure 10. Low frequency op-amp

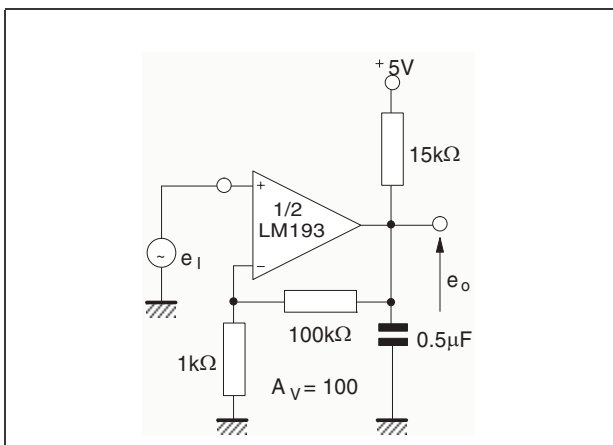


Figure 11. Transducer amplifier

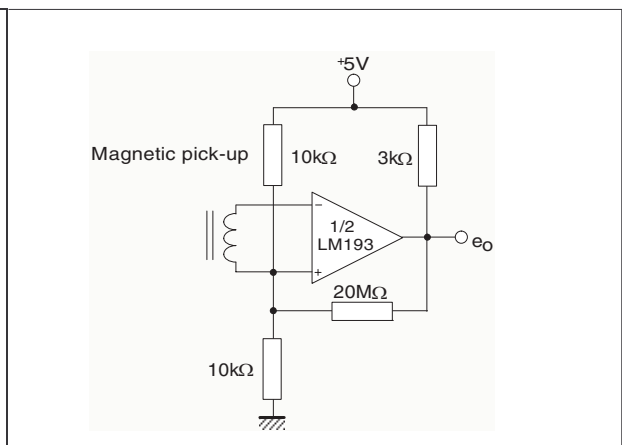


Figure 12. Low frequency op-amp with offset adjust

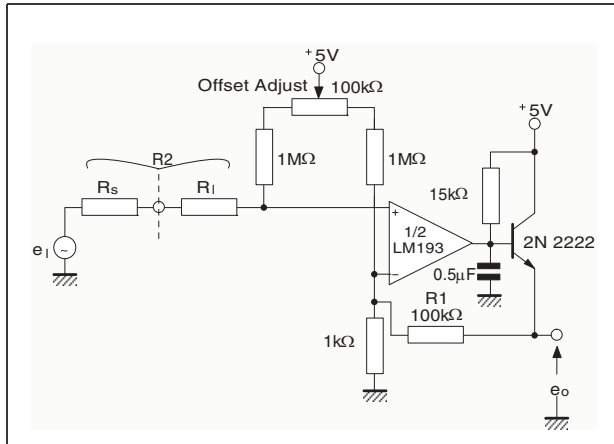


Figure 13. Zero crossing detector (single power supply)

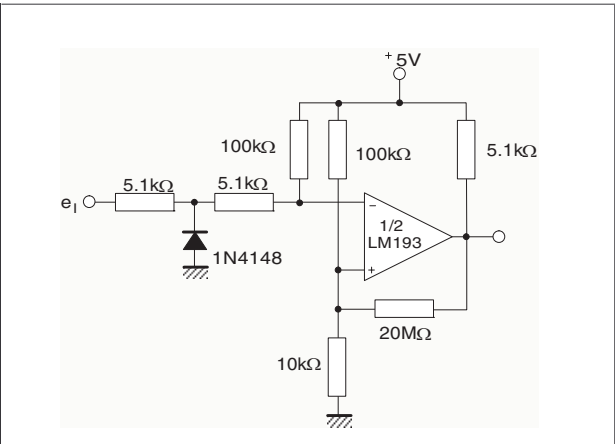


Figure 14. Limit comparator

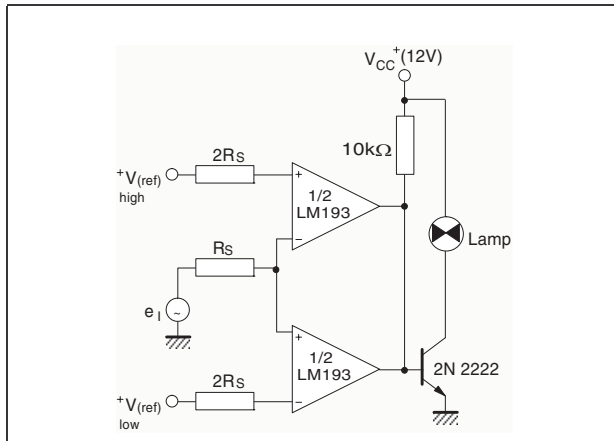


Figure 15. Crystal controlled oscillator

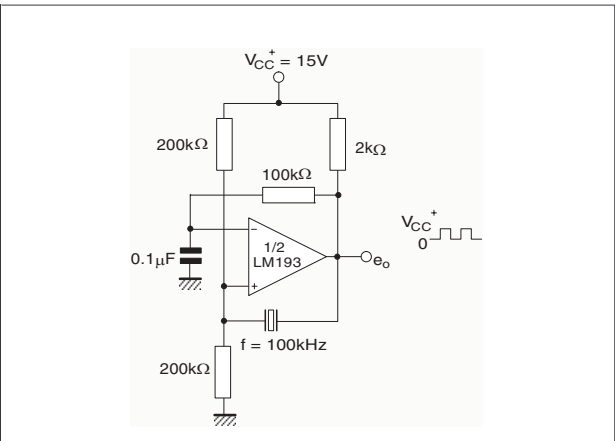


Figure 16. Split-supply applications - zero crossing detector

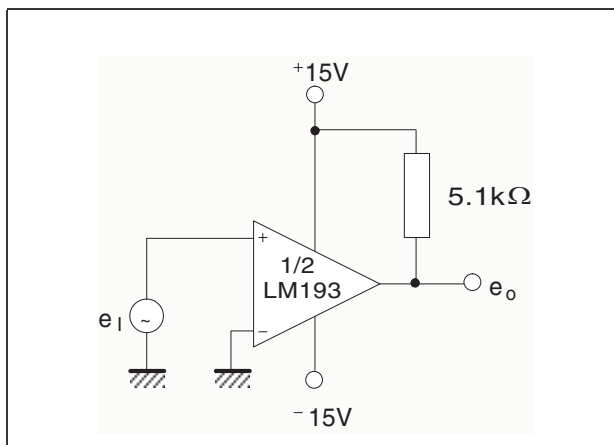


Figure 17. Comparator with a negative reference

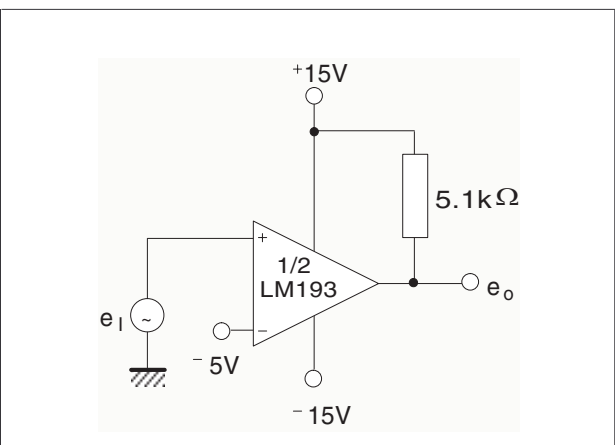
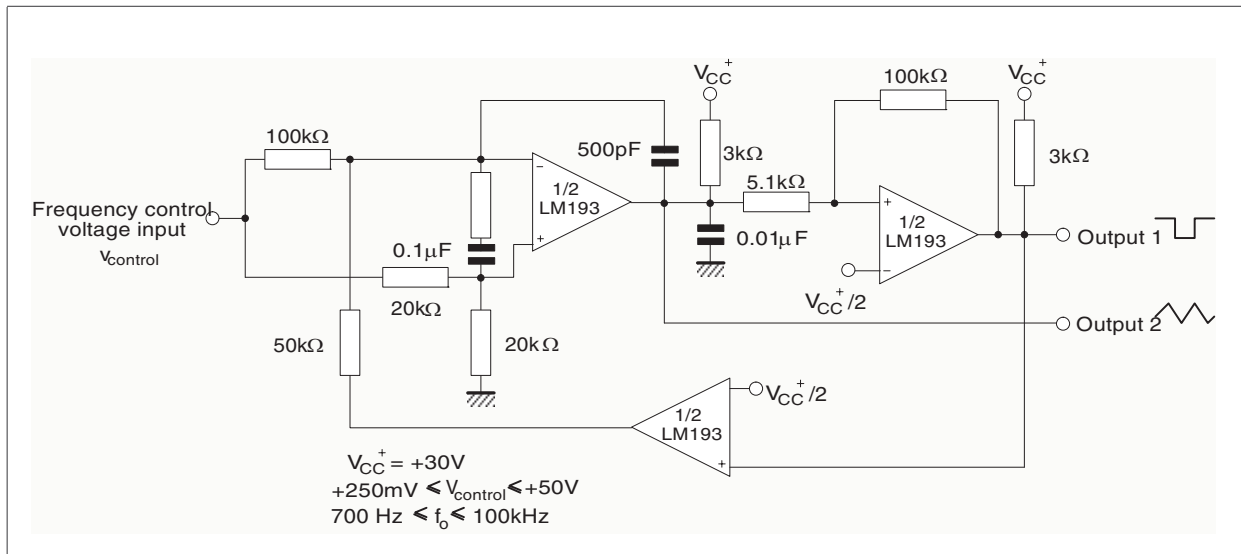


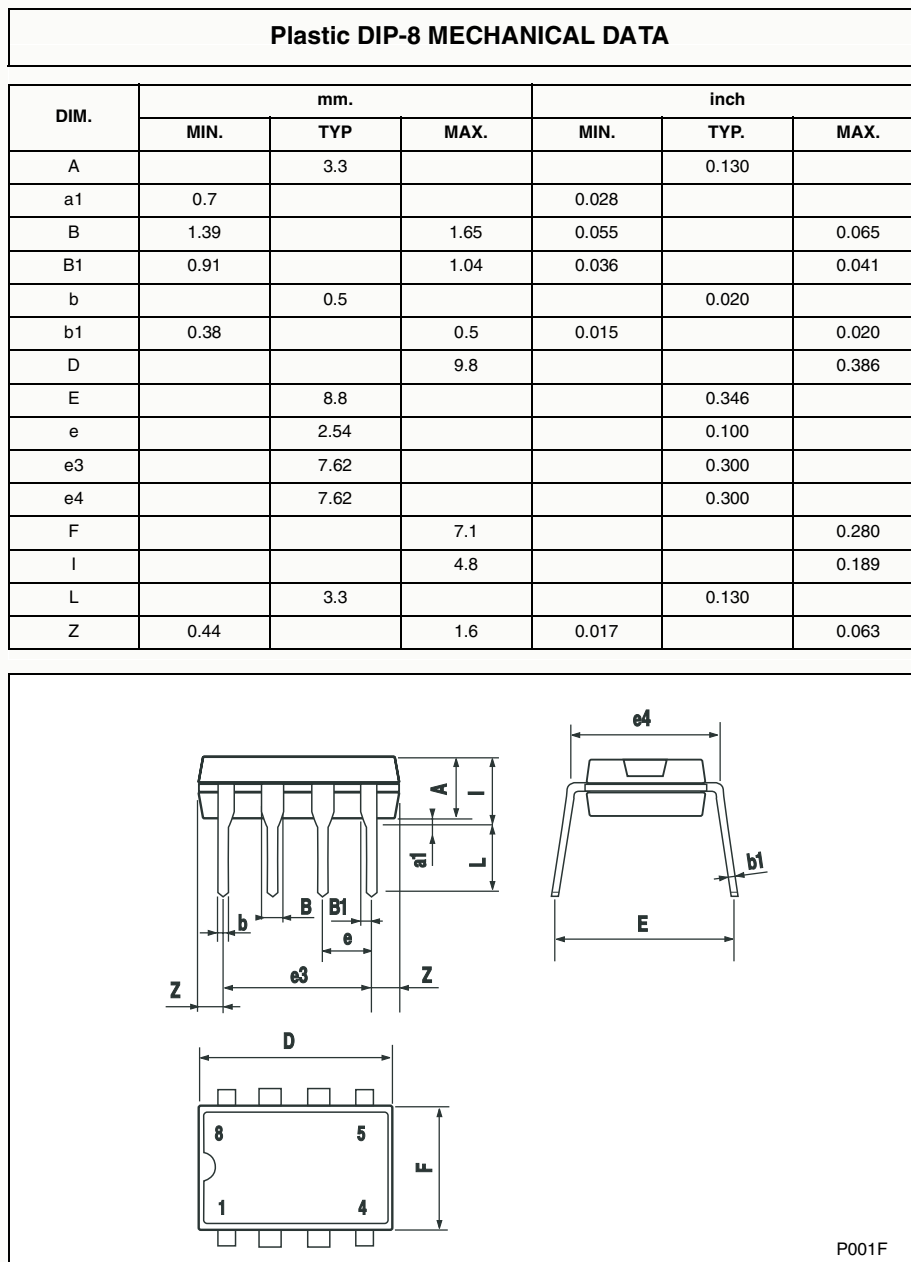
Figure 18. Two-decade high-frequency VCO



5 Package Mechanical Data

In order to meet environmental requirements, ST offers these devices in ECOPACK[®] packages. These packages have a Lead-free second level interconnect. The category of second level interconnect is marked on the package and on the inner box label, in compliance with JEDEC Standard JESD97. The maximum ratings related to soldering conditions are also marked on the inner box label. ECOPACK is an ST trademark. ECOPACK specifications are available at: www.st.com.

5.1 DIP8 package



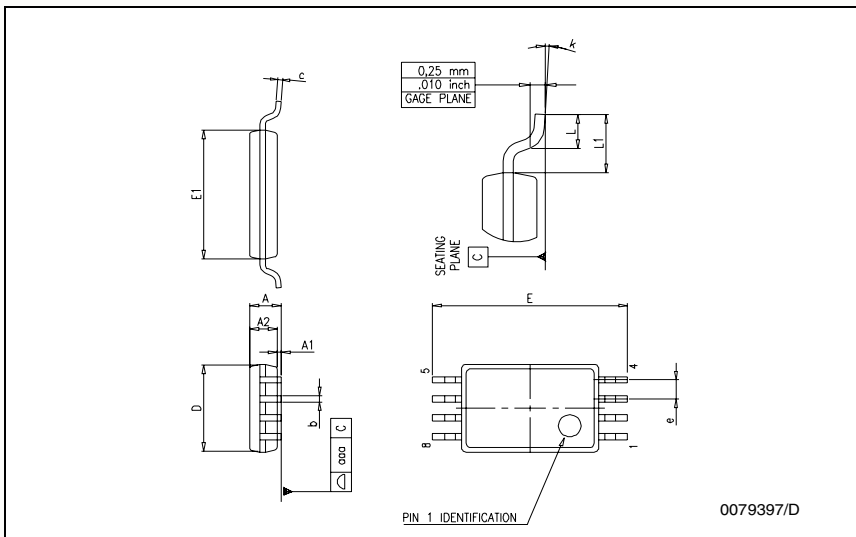
5.2 SO8 package

| SO-8 MECHANICAL DATA | | | | | | |
|----------------------|-----------|------|------|-------|-------|-------|
| DIM. | mm. | | | inch | | |
| | MIN. | TYP. | MAX. | MIN. | TYP. | MAX. |
| A | 1.35 | | 1.75 | 0.053 | | 0.069 |
| A1 | 0.10 | | 0.25 | 0.04 | | 0.010 |
| A2 | 1.10 | | 1.65 | 0.043 | | 0.065 |
| B | 0.33 | | 0.51 | 0.013 | | 0.020 |
| C | 0.19 | | 0.25 | 0.007 | | 0.010 |
| D | 4.80 | | 5.00 | 0.189 | | 0.197 |
| E | 3.80 | | 4.00 | 0.150 | | 0.157 |
| e | | 1.27 | | | 0.050 | |
| H | 5.80 | | 6.20 | 0.228 | | 0.244 |
| h | 0.25 | | 0.50 | 0.010 | | 0.020 |
| L | 0.40 | | 1.27 | 0.016 | | 0.050 |
| k | 8° (max.) | | | | | |
| ddd | | | 0.1 | | | 0.04 |

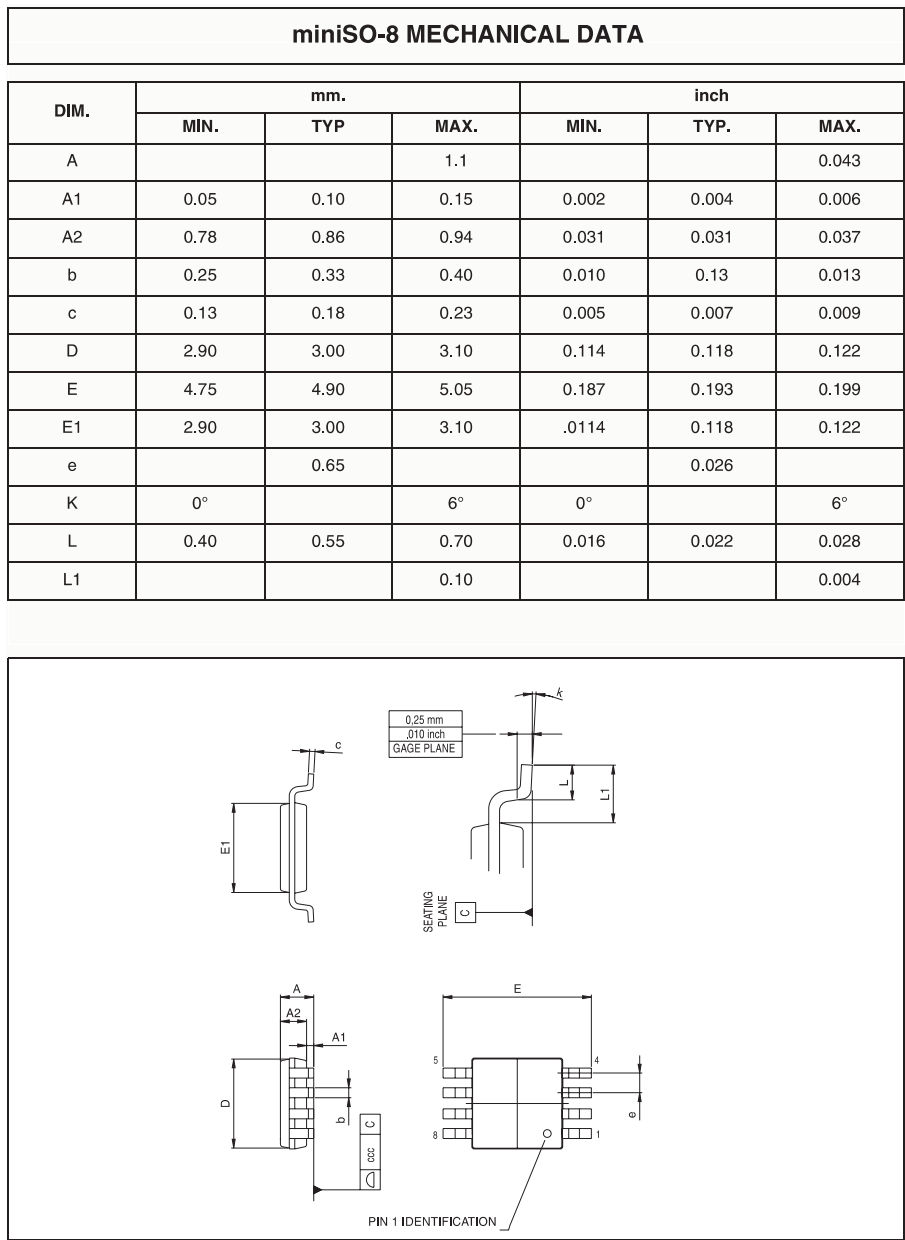
0016023/C

5.3 TSSOP8 package

| TSSOP8 MECHANICAL DATA | | | | | | |
|------------------------|------|------|------|-------|--------|-------|
| DIM. | mm. | | | inch | | |
| | MIN. | TYP. | MAX. | MIN. | TYP. | MAX. |
| A | | | 1.2 | | | 0.047 |
| A1 | 0.05 | | 0.15 | 0.002 | | 0.006 |
| A2 | 0.80 | 1.00 | 1.05 | 0.031 | 0.039 | 0.041 |
| b | 0.19 | | 0.30 | 0.007 | | 0.012 |
| c | 0.09 | | 0.20 | 0.004 | | 0.008 |
| D | 2.90 | 3.00 | 3.10 | 0.114 | 0.118 | 0.122 |
| E | 6.20 | 6.40 | 6.60 | 0.244 | 0.252 | 0.260 |
| E1 | 4.30 | 4.40 | 4.50 | 0.169 | 0.173 | 0.177 |
| e | | 0.65 | | | 0.0256 | |
| K | 0° | | 8° | 0° | | 8° |
| L | 0.45 | 0.60 | 0.75 | 0.018 | 0.024 | 0.030 |
| L1 | | 1 | | | 0.039 | |



5.4 MiniSO8 package



6 Revision History

Table 4. Document revision history

| Date | Revision | Changes |
|-----------|----------|--|
| July 2002 | 1 | First Release |
| Jan. 2005 | 2 | Class A of the product included in the datasheet. |
| May 2005 | 3 | PPAP references inserted in the datasheet see <i>Table 1 on page 2</i> . |
| July 2005 | 4 | Modification on PPAP references - Errors on part numbers see <i>Table 1 on page 2</i> . |
| Nov. 2005 | 5 | Modification on <i>Table 3 on page 5</i> . LM293,A must be -40/+105°C instead of -40/+125°C. |
| Feb. 2006 | 6 | Unit error for Vol parameter see <i>Table 3 on page 5</i> . |

Please Read Carefully:

Information in this document is provided solely in connection with ST products. STMicroelectronics NV and its subsidiaries ("ST") reserve the right to make changes, corrections, modifications or improvements, to this document, and the products and services described herein at any time, without notice.

All ST products are sold pursuant to ST's terms and conditions of sale.

Purchasers are solely responsible for the choice, selection and use of the ST products and services described herein, and ST assumes no liability whatsoever relating to the choice, selection or use of the ST products and services described herein.

No license, express or implied, by estoppel or otherwise, to any intellectual property rights is granted under this document. If any part of this document refers to any third party products or services it shall not be deemed a license grant by ST for the use of such third party products or services, or any intellectual property contained therein or considered as a warranty covering the use in any manner whatsoever of such third party products or services or any intellectual property contained therein.

UNLESS OTHERWISE SET FORTH IN ST'S TERMS AND CONDITIONS OF SALE ST DISCLAIMS ANY EXPRESS OR IMPLIED WARRANTY WITH RESPECT TO THE USE AND/OR SALE OF ST PRODUCTS INCLUDING WITHOUT LIMITATION IMPLIED WARRANTIES OF MERCHANTABILITY, FITNESS FOR A PARTICULAR PURPOSE (AND THEIR EQUIVALENTS UNDER THE LAWS OF ANY JURISDICTION), OR INFRINGEMENT OF ANY PATENT, COPYRIGHT OR OTHER INTELLECTUAL PROPERTY RIGHT.

UNLESS EXPRESSLY APPROVED IN WRITING BY AN AUTHORIZE REPRESENTATIVE OF ST, ST PRODUCTS ARE NOT DESIGNED, AUTHORIZED OR WARRANTED FOR USE IN MILITARY, AIR CRAFT, SPACE, LIFE SAVING, OR LIFE SUSTAINING APPLICATIONS, NOR IN PRODUCTS OR SYSTEMS, WHERE FAILURE OR MALFUNCTION MAY RESULT IN PERSONAL INJURY, DEATH, OR SEVERE PROPERTY OR ENVIRONMENTAL DAMAGE.

Resale of ST products with provisions different from the statements and/or technical features set forth in this document shall immediately void any warranty granted by ST for the ST product or service described herein and shall not create or extend in any manner whatsoever, any liability of ST.

ST and the ST logo are trademarks or registered trademarks of ST in various countries.

Information in this document supersedes and replaces all information previously supplied.

The ST logo is a registered trademark of STMicroelectronics. All other names are the property of their respective owners.

© 2006 STMicroelectronics - All rights reserved

STMicroelectronics group of companies

Australia - Belgium - Brazil - Canada - China - Czech Republic - Finland - France - Germany - Hong Kong - India - Israel - Italy - Japan - Malaysia - Malta - Morocco - Singapore - Spain - Sweden - Switzerland - United Kingdom - United States of America

www.st.com